

PREFACE

1. This Parts Catalog carries Yanmar crawler back-hoe Vio15-2.

2. Parts catalog history

	Parts catalog No	Published	Remarks
1st edition	000Y00K2960	May., 1994	Disuse old edition
1st revised	000Y00K2961	Jan., 1997	Disuse old edition
2st revised	000Y00K2962	Sep., 1999	Disuse old edition
Last edition	000Y00K2963	Oct., 2002	

3. Model name

SECTION	Column	Model name	M/#	Manufactured
I (Vehicle)	(A)	Vio15 PR	00501~15329	1993/11~2001/3
	(B)	Vio15 PR EX		
II (Engine)	(A)	3TNE68L-UBB	00839~52034	1993/8~2000/1
	(B)	3TNE68L-EUBB	51587~73428	2000/1~2001/2

P:Canopy spec. R:Rubber crawler. EX:Export except Europe.

4. Your understanding is asking that this parts catalog is not a technical data manual setting forth as servicing procedures, This parts catalog is using simplified illustration. Be sure to use Yanmer Genuine Parts in your maintenance servicing of Yanmar products. Be careful not to use the simple parts available in the market, otherwise their use in repairing causes such as an early breakage, for instance.

SPECIFICATIONS

Name			YANMAR CRAWLER BACKHOE
Model			VI015 - PR
Engine	Model		3TNE68L - UBB
	Bore×Stroke		68 × 72
Dimensions	Transport length	mm	3500
	Transport width	mm	1200
	Transport height	mm	2200
Std. bucket capacity		m ³	0.05 (JIS 0.045)
Std. bucket width(Outside)		mm	450
Max. digging depth		mm	2100 (BLADE 2220)
Max. cutting height		mm	3600
Max. dump height		mm	2590
Max. reach at ground level		mm	3610
Min. swing radius		mm	1500 (Swing 1150)
Boom swing angle		degree	Left 50 & Right 90
Max. digging force(Std. bucket)		kN(kgf)	13.7(1400)[JIS 11.8(1200)]
Travel speed(High/Low)		km/h	4.2 / 2.1
Gradability		degree	30
Average ground pressure		kPa (kgf/cm ²)	24.5 (0.25)
Track shoe width(Std.)		mm	230
Blade	Width×height	mm	1200 × 250
	Capacity	m ³	0.08
Machine mass		kg	1500

[] shows to the specification of rubber crawler.

How to read this Parts Catalog.

1. Parts mentioned in this Parts Catalog may not necessarily be standard equipping parts.
2. Parts change may be made without prior notice.
3. Form of this Parts Catalog.

Y00F2161 (1997.09.01)

Fig.29 燃料噴射ポンプ(ブーコン用)
FUEL INJECTION PUMP (W/BOOST)

見出 REF.No.	レベル LEV.	部品番号 PARTS No.	部品名	DESCRIPTION	個数 (Qty)					
					A	B	C	D	E	F
1	•	729595-51390	FOポンプ ASY(ブーコン用)	FUEL INJECTION PUMP	1	1	1	1	1	1
1-1	•	729595-51391	FOポンプ ASY(ブーコン用)	FUEL INJECTION PUMP	1	1	1	1	1	1
3	••	26022-060162	ナベネジ M 6X 16	SCREW M 6X 16	9	9	9	9	9	
1 3-1	••	26022-060162	ナベネジ M 6X 16	SCREW M 6X 16	4	4	4	4	4	K
4	••	129470-51040	カムシャフト	CAMSHAFT	1	1	1	1	1	
5	••	122710-51050	ベアリングローラ	BEARING, ROLLER	2	2	2	2	2	
6	••	129470-51060	ベアリングホルダ	RETAINER	1	1	1	1	1	

備考
(1) ブーストコンベンセータ付き、4JH-DT、4JH-DTZとも E/# 00155 までは、特別注文仕様とします

Remarks
(1) BOOST COMPENSATOR TYPE. OPTIONAL PART, TO E/# 00155, (4JH-DT, 4JH-DTZ)

① Ref. No.

The Ref. No. in the list may not be accord with the Ref. No. on illustration.

(Ex.) Illustration No. List head No.

1 1 (Befor change) → 1 -1 (After change)

When interchangeable symbol N, R, and K, illustrations for new parts are sometimes omitted.

② Lev.(Level)

Indication and Meaning of Level

Level : Hereunder is given the relation among the number of dots(•),the level and the nominal parent- child relationship.

-Parent parts(Assembly parts)
-Child parts included in "•" (Semi- Assembly parts,component parts of Assembly parts.)
-Child parts included in "••", Grand- child parts in terms of "•".
(Component parts of Semi- Assembly parts.)

Note) A parts of non- sale parts are illustrated but not listed.

③ Change Mark

Change Mark "I" is given to the part for which a design change was made at this time.

The design change was not shown in the last published Parts Catalog.

④ Interchangeability Mark

In the case where a part change took place,one of the following interchangeability marks is indicated for that part.

Symbol	interchangeability	Contents note
N	Old ↔ New	New Part is interchangeable for Old Part but not interchangeable conversely.
Q	Old ↔ New	New Part is not interchangeable for Old Part but interchangeable conversely.
R	Old ↔ New	New Part is interchangeable for Old Part and vice versa.
S	Old ↔ New	New Part is not interchangeable for Old Part and vice versa.
W		Part newly added.
Z		Part discontinued.
F		Not interchangeable single part but interchangeable by set of the related parts.
K		Changed only in quantity used.

⑤ Effective Machine No.

When a part is changed,Effective Machine No. of a Model for which the part is applicable is indication in each column of (A)- (F).

Product Symbol	Product No.	Product Symbol	Product No.
C	Clutch No. Compressor No.	M	Machine No.
D	Drive No.	T	Tractor No.
E	Engine No.	Note1) ※	Date

Note1) Date may follow the symbol in some cases. (Ex.) ※ 1996.01

Note2) As far as engine models shown by "XXX" are concerned, the modification of the parts could not be predicted or the engine models themselves could not be identified.

Note3) (A=E/#00185) means that the design change on the part has been effective for the model at the column (A)(in this case, for 4JH-DT) on and from E/#(Engine Serial Number) 00185.

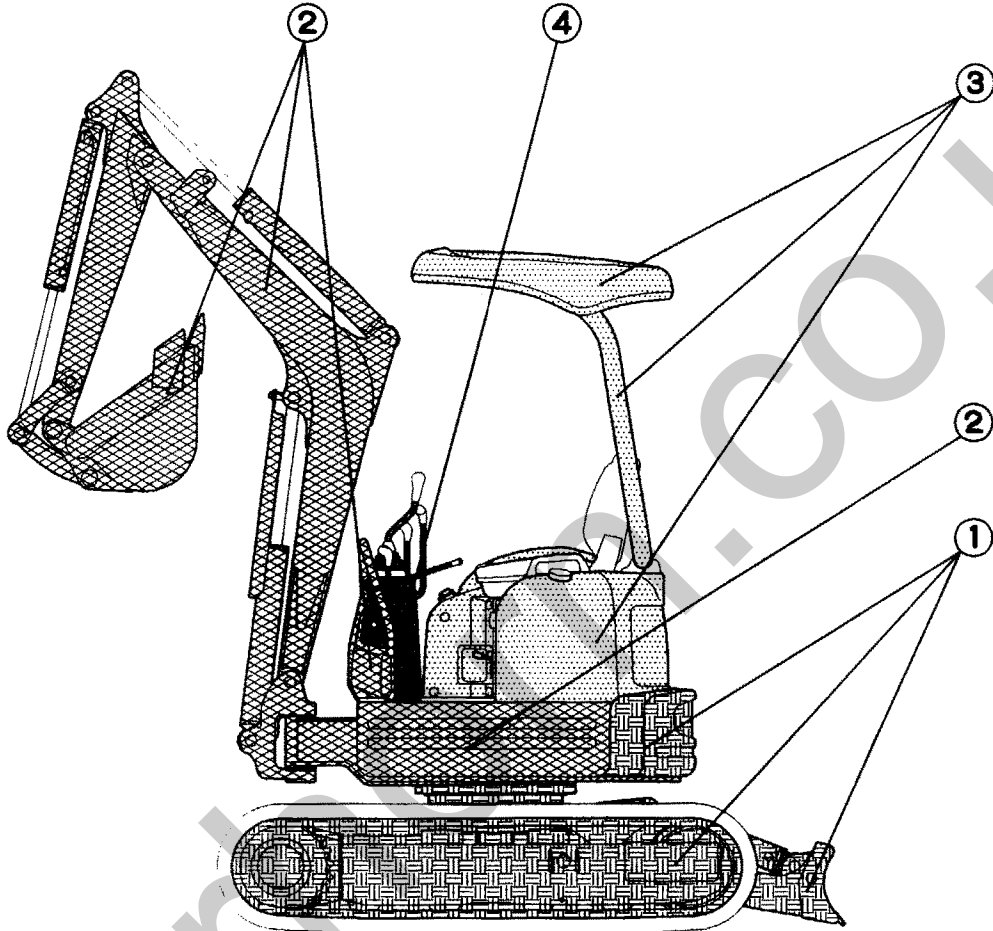
⑥ Remarks Mark


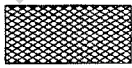
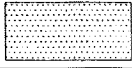

Figures or alphabets (Symbols) are entered in the remark column.

The comments(remarks)on the pertinent parts are indicated in the lower part of the list by the same symbols as those stated above.

1 [本機塗装色] [PAINTED COLOR LIST]

~M/#10500



部所 PART	表示 DESCRIPTION	塗装色 マンセル記号	PAINTED COLOR MUNSEL No.	色区分 COLOR CODE
①		ヤンマーオーシャングリーン 7.62BG3/8.09	YANMAR OCEAN GREEN 7.62BG3/8.09	98
②		ヤンマーピーコックグリーン 3.8BG5.31/9.15	YANMAR PEACOCK GREEN 3.8BG5.31/9.15	97
③		ヤンマーシトラスグリーン 4.84GY8.42/6.99	YANMAR CITROUS GREEN 4.84GY8.42/6.99	96
④		ヤンマーダークオリーブグレー 5.39Y2.92/0.78	YANMAR DARK OLIVE GREY 5.39Y2.92/0.78	72

2 [塗料部品番号] [PAINT PART No.]

部所 PART	塗装色 PAINTED COLOR	塗料部品番号 PAINT No.		
		16ℓ缶 16ℓCAN	4ℓ缶 4ℓCAN	スプレー SPRAY
①	ヤンマーオーシャングリーン YANMAR OCEAN GREEN	981101-09598	977620-40980	977620-30981
②	ヤンマーピーコックグリーン YANMAR PEARCOCK GREEN	981101-09597	977620-40970	977620-30971
③	ヤンマーシトラスグリーン YANMAR CITROUS GREEN	981101-09599	977620-40990	977620-30991
④	ヤンマーダークオリーブグレー YANMAR DARK OLIVE GREY	-----	977620-40720	TOR-90460003

3 [塗装色部品の表現] [EXPRESSION OF PAINTED PARTS]

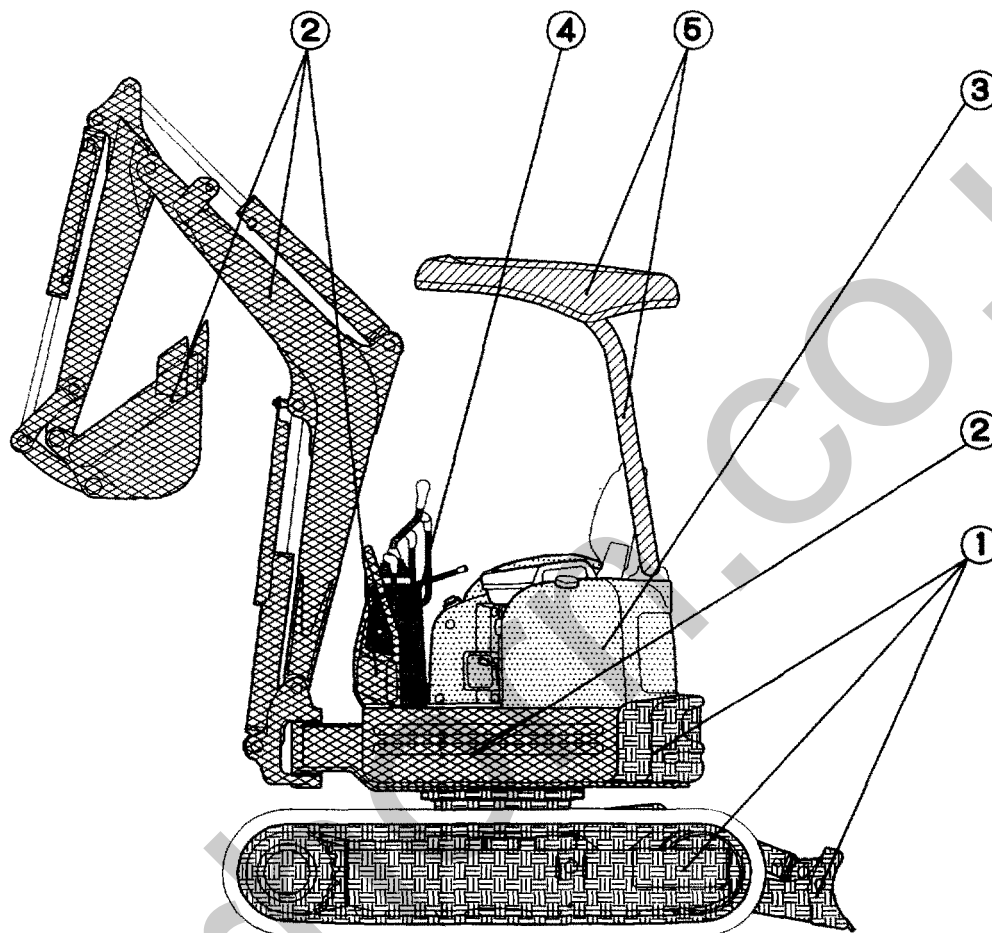
部品番号 PART NO.	部品名 PART NAME	塗装色 PAINTED COLOR
172149-81101 -4	ブームCMP (グリーン) (97) BOOM CMP (GREEN) (97)	ヤンマーピーコックグリーン YANMAR PEARCOCK GREEN






4 [主要部品の塗装色] [COLOR OF MAIN PARTS]

部所 PART	塗装色 PAINTED COLOR	主な部品 MAIN PARTS
①	ヤンマーオーシャングリーン YANMAR OCEAN GREEN	下部走行体 ブレード カウンターウエイト スイングシリンダ ブレードシリンダ UNDER TRAVELING BODY BLADE COUNTER WEIGHT SWING CYLINDER BLADE CYLINDER
②	ヤンマーピーコックグリーン YANMAR PEARCOCK GREEN	ターニングフレーム ブーム アーム バケット フロントカバー TURNING FRAME BOOM ARM BUCKET FRONT COVER
③	ヤンマーシトラスグリーン YANMAR CITROUS GREEN	ボンネット キャノピ BONNET CANOPY
④	ヤンマーダークオリーブグレー YANMAR DARK OLIVE GREY	ステップ レバー類 インパネ ペダルカバー エンジン廻り STEP LEVER INSTRUMENT PANEL PEDAL COVER ENGINE RELATED PART

1 [本機塗装色] [PAINTED COLOR LIST]

M/#10501~



部所 PART	表示 DESC RIPTION	塗装色 マンセル記号	PAINTED COLOR MUNSEL No.	色区分 COLOR CODE
①		ヤンマー新ディーブグリーン 0. 6B2. 2/4. 2	YANMAR NEW DEEP GREEN 0. 6B2. 2/4. 2	88
②		ヤンマーピーコックグリーン 3. 8BG5. 31/9. 15	YANMAR PEARCOCK GREEN 3. 8BG5. 31/9. 15	97
③		ヤンマーシトラスグリーン 4. 84GY8. 42/6. 99	YANMAR CITROUS GREEN 4. 84GY8. 42/6. 99	96
④		ヤンマーダークオリーブグレー 5. 39Y2. 92/0. 78	YANMAR DARK OLIVE GREY 5. 39Y2. 92/0. 78	72
⑤		ナチュラルホワイト	NATURAL WHITE	15

2 [塗料部品番号] [PAINT PART No.]

部所 PART	塗装色 PAINTED COLOR	塗料部品番号 PAINT No.		
		16ℓ缶 16ℓCAN	4ℓ缶 4ℓCAN	スプレー SPRAY
①	ヤンマー新ディーブグリーン YANMAR NEW DEEP GREEN	981101-09588	977620-40880	977620-30881
②	ヤンマーピーコックグリーン YANMAR PEARCOCK GREEN	981101-09597	977620-40970	977620-30971
③	ヤンマーシトラスグリーン YANMAR CITROUS GREEN	981101-09599	977620-40990	977620-30991
④	ヤンマーダークオリーブグレー YANMAR DARK OLIVE GREY	-----	977620-40720	TOR-90460003
⑤	ナチュラルホワイト NATURAL WHITE	-----	-----	977620-30301

3 [塗装色部品の表現] [EXPRESSION OF PAINTED PARTS]

部品番号 PART NO.	部品名 PART NAME	塗装色 PAINTED COLOR
172149-81101	-4 ブームCMP (グリーン) (97) BOOM CMP (GREEN) (97)	ヤンマーピーコックグリーン YANMAR PEARCOCK GREEN

(注) 部品名末尾の () 内は塗装色を示す。
(NOTE) () at the end of part name shows Paint Color.

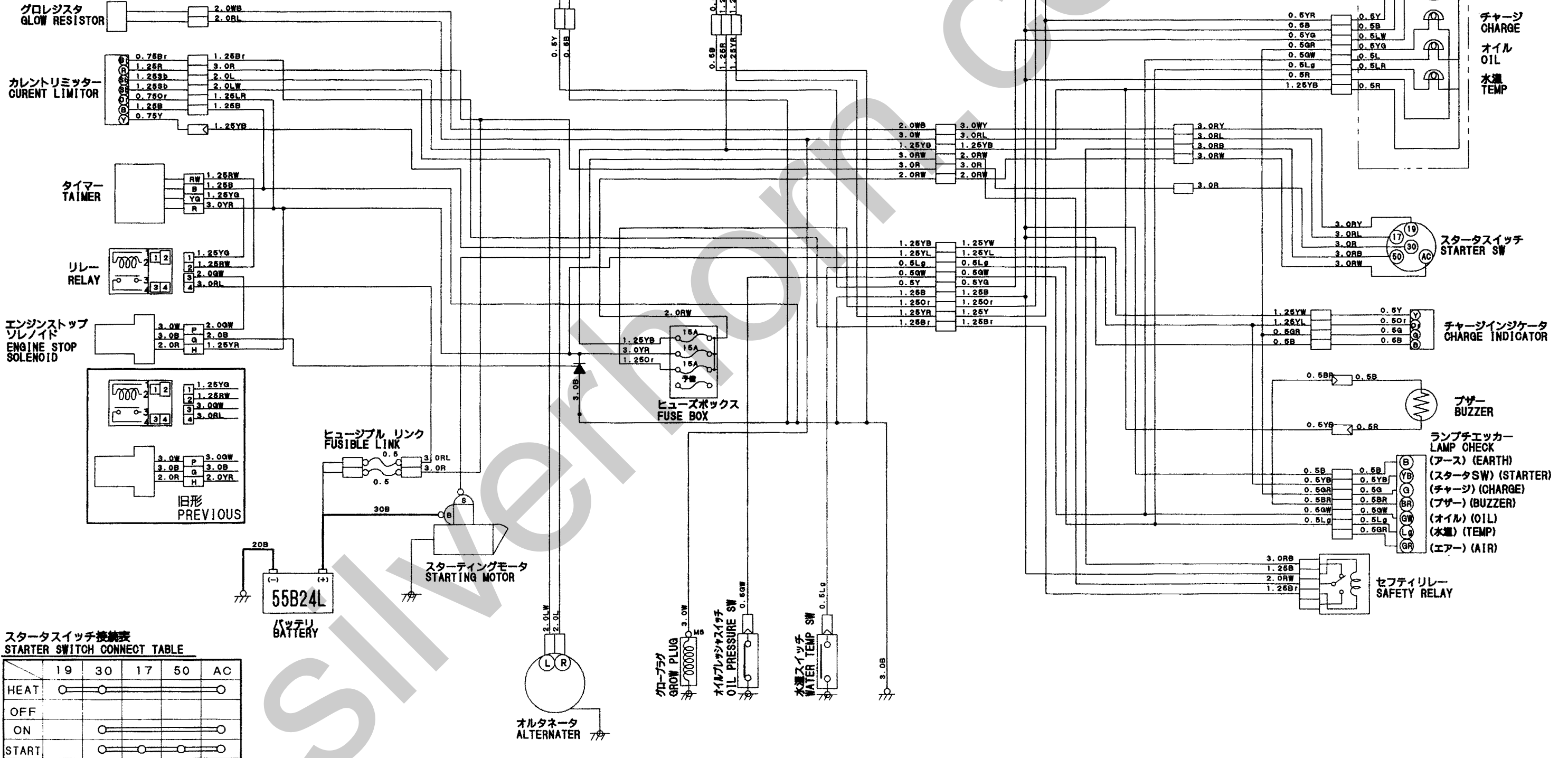
4 [主要部品の塗装色] [COLOR OF MAIN PARTS]

部所 PART	塗装色 PAINTED COLOR	主な部品 MAIN PARTS
①	ヤンマー新ディーブグリーン YANMAR NEW DEEP GREEN	下部走行体 ブレード カウンターウエイト スイングシリンダ ブレードシリンダ UNDER TRAVELING BODY BLADE COUNTER WEIGHT SWING CYLINDER BLADE CYLINDER
②	ヤンマーピーコックグリーン YANMAR PEARCOCK GREEN	ターニングフレーム ブーム アーム バケット フロントカバー TURNING FRAME BOOM ARM BUCKET FRONT COVER
③	ヤンマーシトラスグリーン YANMAR CITROUS GREEN	ボンネット BONNET
④	ヤンマーダークオリーブグレー YANMAR DARK OLIVE GREY	ステップ レバー類 インパネ ペダルカバー エンジン廻り STEP LEVER INSTRUMENT PANEL PEDAL COVER ENGINE RELATED PART
⑤	ナチュラルホワイト NATURAL WHITE	キャノピ CANOPY

配線図 (1)
WIRING DIAGRAM (1)

~M/#02011

Y 黄 Yellow	L 青 Blue	R 赤 Red	GW 緑白 Green White	Gr グレー Gray
YB 黄黒 Yellow Black	LW 青白 Blue White	RY 赤黄 Red Yellow	GR 緑赤 Green Red	Or オレンジ Orange
YR 黄赤 Yellow Red	LR 青赤 Blue Red	RW 赤白 Red White	B 黒 Black	Br 茶 Brown
YL 黄青 Yellow Blue	LB 青黒 Blue Black	RB 赤黒 Red Black	BR 黒赤 Black Red	
W 白 White	Lg 青緑 Blue Green	Rg 赤緑 Red Green	BW 黒白 Black White	
WB 白黒 White Black	Lg 若葉 Young Leaves	G 緑 Green	GrB グレー黒 Gray Black	



スタータスイッチ接続表
STARTER SWITCH CONNECT TABLE

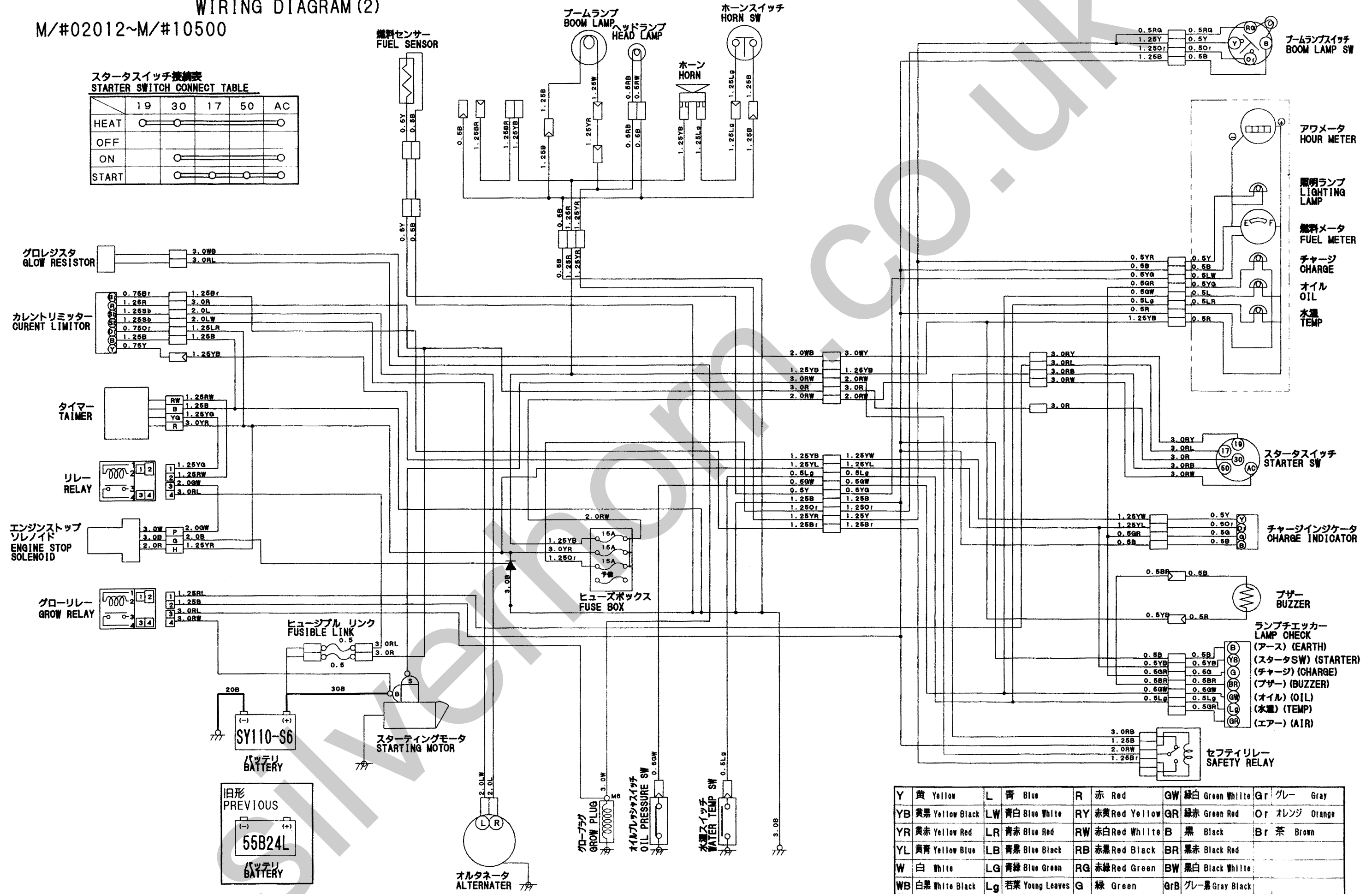
	19	30	17	50	AC
HEAT	○	○	○	○	○
OFF					
ON	○	○	○	○	○
START	○	○	○	○	○

配線図 (2) WIRING DIAGRAM (2)

M/#02012~M/#10500

スタータスイッチ接続表
STARTER SWITCH CONNECT TABLE

	19	30	17	50	AC
HEAT	○	○	○	○	○
OFF					
ON	○	○	○	○	○
START	○	○	○	○	○



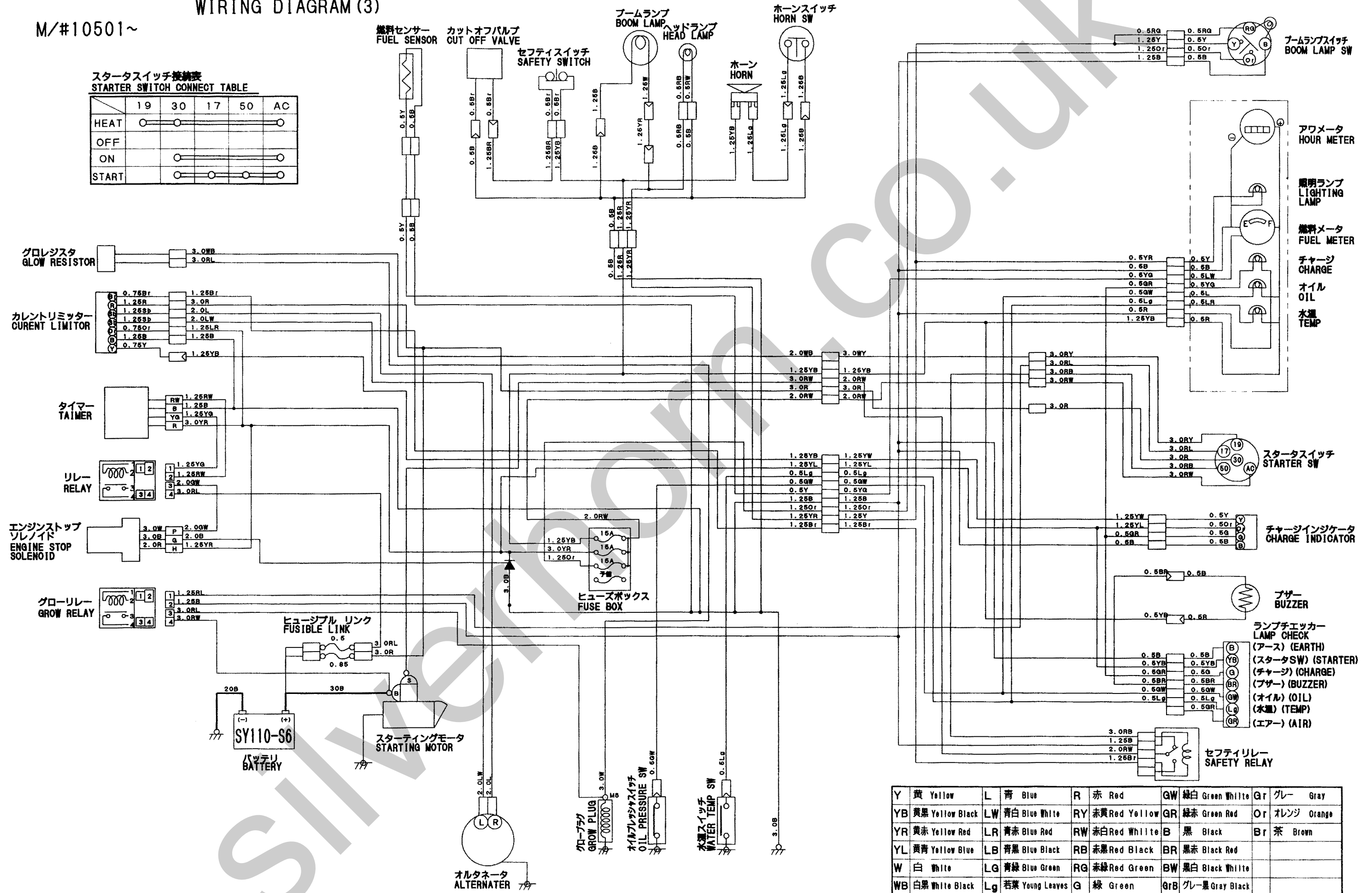
Y 黄 Yellow	L 青 Blue	R 赤 Red	GW 緑白 Green White	Gr グレー Gray
YB 黄黒 Yellow Black	LW 青白 Blue White	RY 赤黄 Red Yellow	GR 緑赤 Green Red	Or オレンジ Orange
YR 黄赤 Yellow Red	LR 青赤 Blue Red	RW 赤白 Red White	B 黒 Black	Br 茶 Brown
YL 黄青 Yellow Blue	LB 青黒 Blue Black	RB 赤黒 Red Black	BR 黒赤 Black Red	
W 白 White	LG 青緑 Blue Green	RG 赤緑 Red Green	BW 黒白 Black White	
WB 白黒 White Black	Lg 若葉 Young Leaves	G 緑 Green	GrB グレー黒 Gray Black	

配線図 (3) WIRING DIAGRAM (3)

M/#10501~

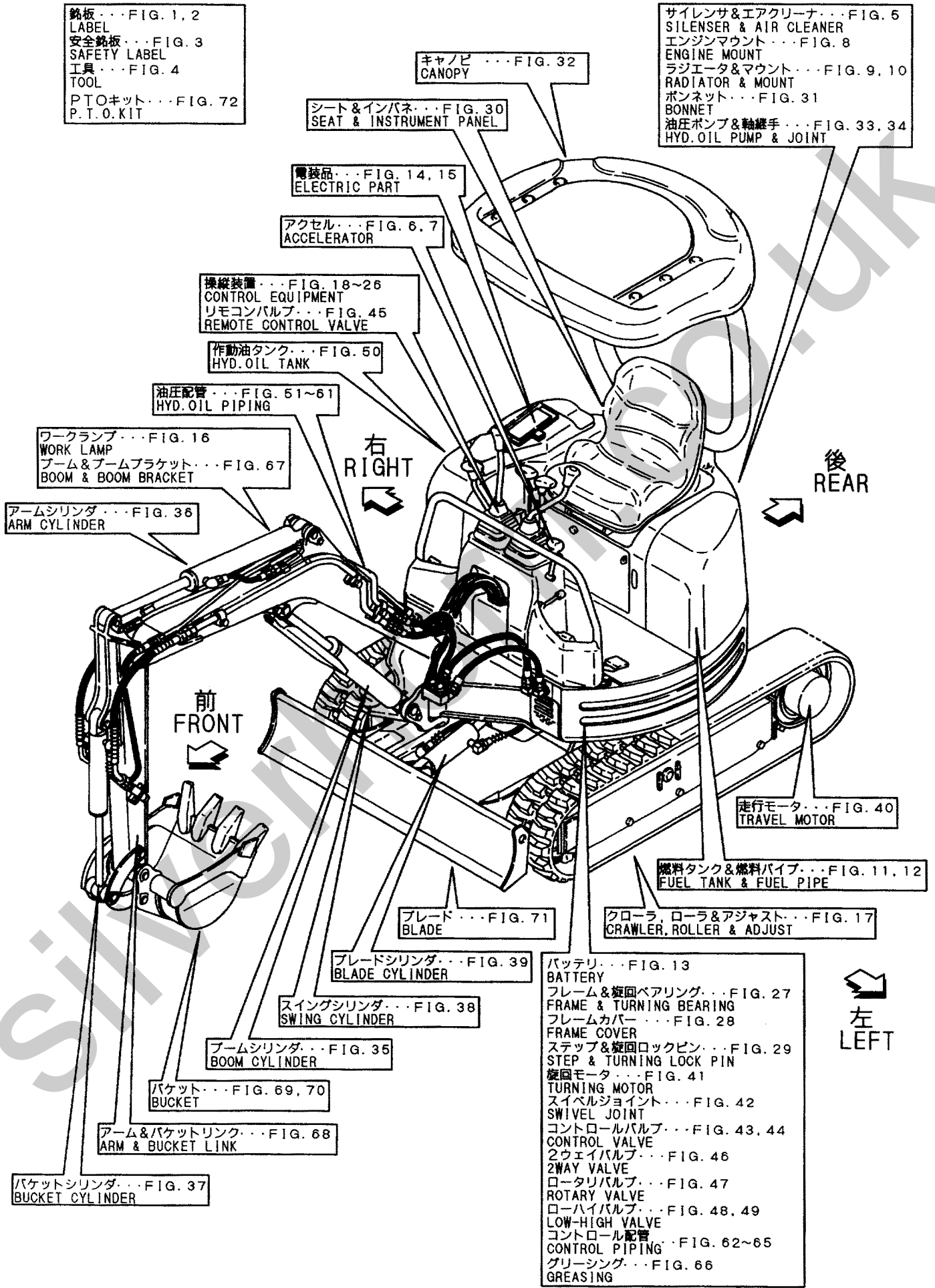
スタータスイッチ接続表
STARTER SWITCH CONNECT TABLE

	19	30	17	50	AC
HEAT	○	○			○
OFF			○	○	
START	○	○	○	○	



Y 黄 Yellow	L 青 Blue	R 赤 Red	GW 緑白 Green White	Gr グレー Gray
YB 黄黒 Yellow Black	LW 青白 Blue White	RY 赤黄 Red Yellow	GR 緑赤 Green Red	Or オレンジ Orange
YR 黄赤 Yellow Red	LR 青赤 Blue Red	RW 赤白 Red White	B 黒 Black	Br 茶 Brown
YL 黄青 Yellow Blue	LB 青黒 Blue Black	RB 赤黒 Red Black	BR 黒赤 Black Red	
W 白 White	LG 青緑 Blue Green	RG 赤緑 Red Green	BW 黒白 Black White	
WB 白黒 White Black	Lg 若葉 Young Leaves	G 緑 Green	GrB グレー黒 Gray Black	

絵目次 (1) 主要部品
 PICTURESQUE INDEX (1) . . . MAIN PARTS



銘板 . . . FIG. 1, 2
 LABEL
 安全銘板 . . . FIG. 3
 SAFETY LABEL
 工具 . . . FIG. 4
 TOOL
 PTOキット . . . FIG. 72
 P.T.O. KIT

サイレンサ&エアクリーナ . . . FIG. 5
 SILENCER & AIR CLEANER
 エンジンマウント . . . FIG. 8
 ENGINE MOUNT
 ラジエータ&マウント . . . FIG. 9, 10
 RADIATOR & MOUNT
 ボンネット . . . FIG. 31
 BONNET
 油圧ポンプ&軸継手 . . . FIG. 33, 34
 HYD. OIL PUMP & JOINT

キャノピ . . . FIG. 32
 CANOPY

シート&インパネ . . . FIG. 30
 SEAT & INSTRUMENT PANEL

電装品 . . . FIG. 14, 15
 ELECTRIC PART

アクセル . . . FIG. 6, 7
 ACCELERATOR

操縦装置 . . . FIG. 18~26
 CONTROL EQUIPMENT
 リモコンバルブ . . . FIG. 45
 REMOTE CONTROL VALVE

作動油タンク . . . FIG. 50
 HYD. OIL TANK

油圧配管 . . . FIG. 51~61
 HYD. OIL PIPING

ワークランプ . . . FIG. 16
 WORK LAMP
 ブーム&ブームブラケット . . . FIG. 67
 BOOM & BOOM BRACKET

アームシリンダ . . . FIG. 38
 ARM CYLINDER

右
 RIGHT

後
 REAR

前
 FRONT

走行モータ . . . FIG. 40
 TRAVEL MOTOR

燃料タンク&燃料パイプ . . . FIG. 11, 12
 FUEL TANK & FUEL PIPE

クローラ, ローラ&アジャスト . . . FIG. 17
 CRAWLER, ROLLER & ADJUST

ブレード . . . FIG. 71
 BLADE

ブレードシリンダ . . . FIG. 39
 BLADE CYLINDER

スイングシリンダ . . . FIG. 38
 SWING CYLINDER

ブームシリンダ . . . FIG. 35
 BOOM CYLINDER

バケット . . . FIG. 69, 70
 BUCKET

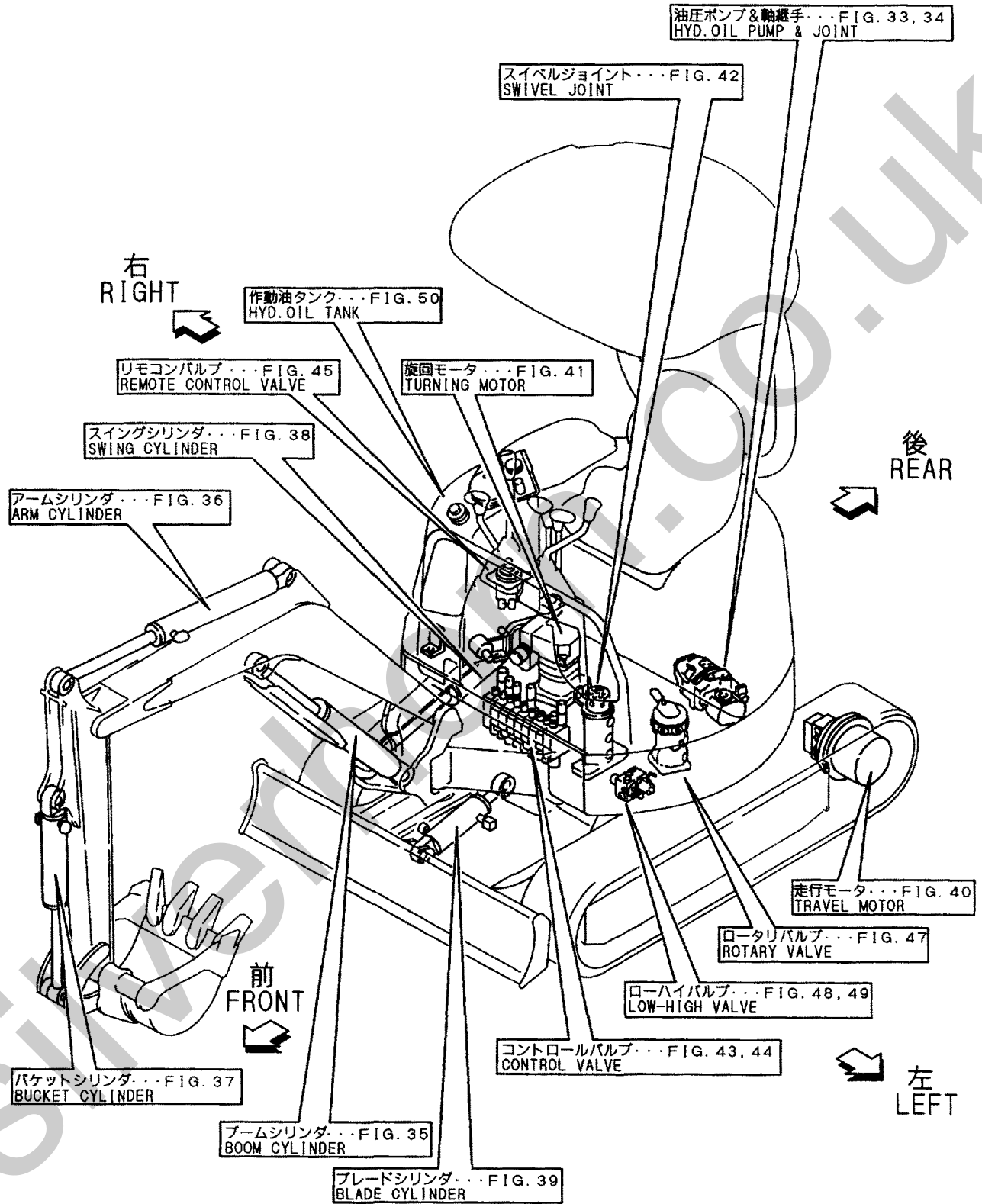
アーム&バケットリンク . . . FIG. 68
 ARM & BUCKET LINK

バケットシリンダ . . . FIG. 37
 BUCKET CYLINDER

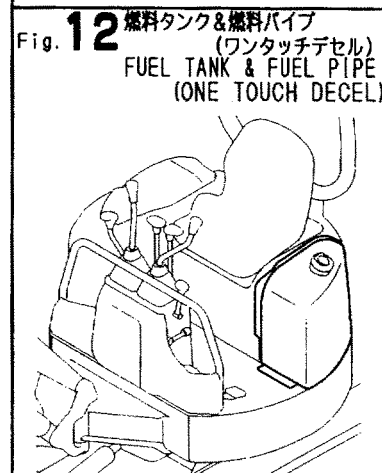
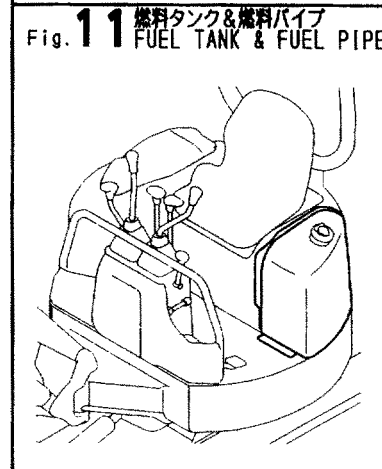
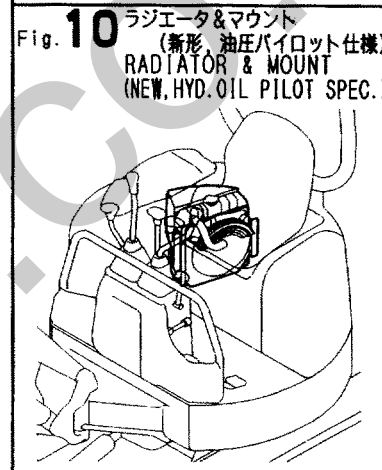
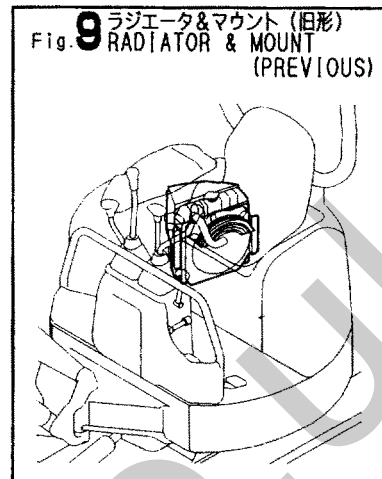
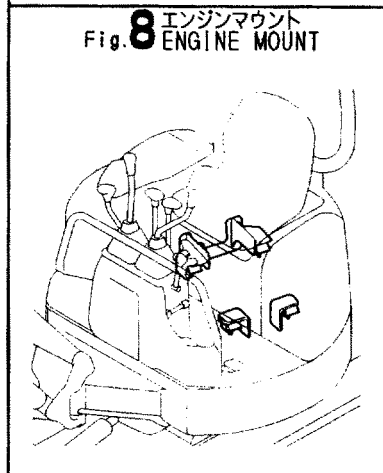
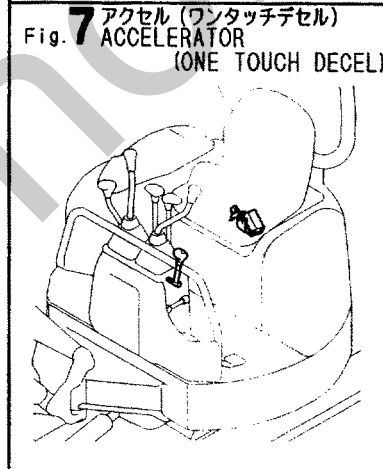
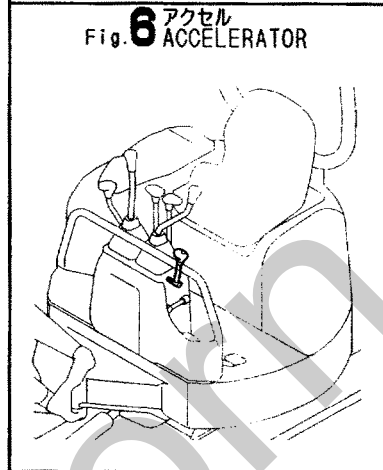
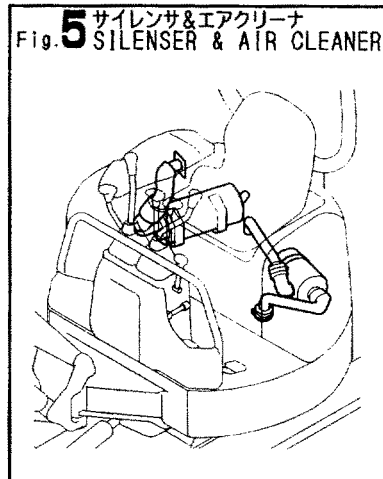
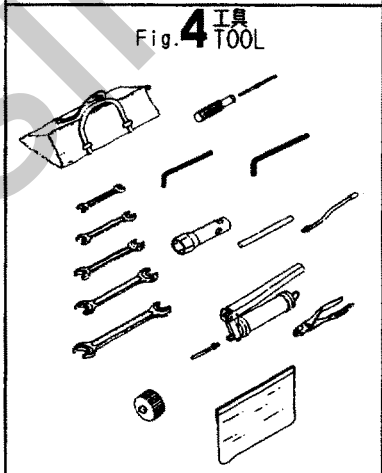
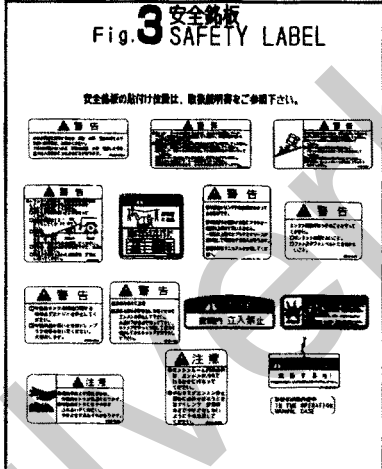
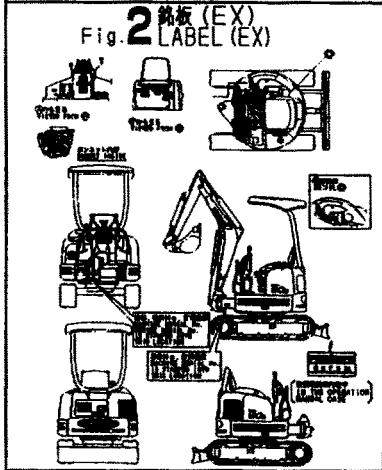
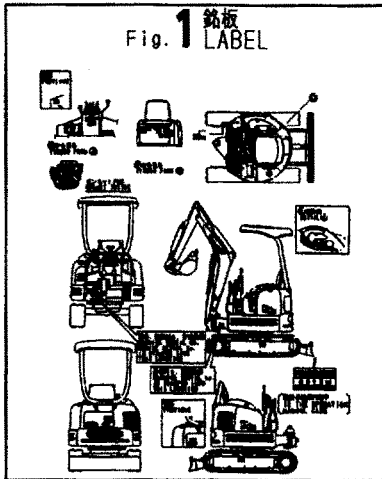
バッテリー . . . FIG. 13
 BATTERY
 フレーム&旋回ベアリング . . . FIG. 27
 FRAME & TURNING BEARING
 フレームカバー . . . FIG. 28
 FRAME COVER
 ステップ&旋回ロックピン . . . FIG. 29
 STEP & TURNING LOCK PIN
 旋回モータ . . . FIG. 41
 TURNING MOTOR
 スイベルジョイント . . . FIG. 42
 SWIVEL JOINT
 コントロールバルブ . . . FIG. 43, 44
 CONTROL VALVE
 2ウェイバルブ . . . FIG. 46
 2WAY VALVE
 ロータリバルブ . . . FIG. 47
 ROTARY VALVE
 ローハイバルブ . . . FIG. 48, 49
 LOW-HIGH VALVE
 コントロール配管 . . . FIG. 62~65
 CONTROL PIPING
 グリーシング . . . FIG. 66
 GREASING

左
 LEFT

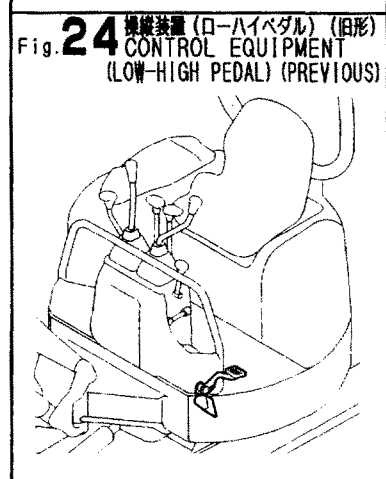
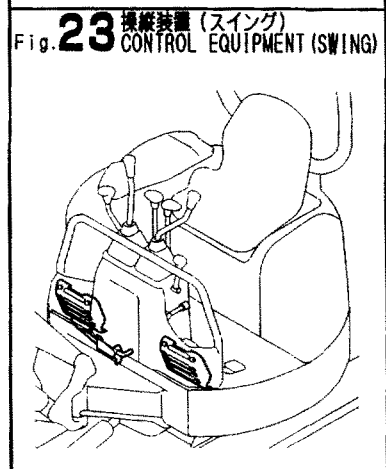
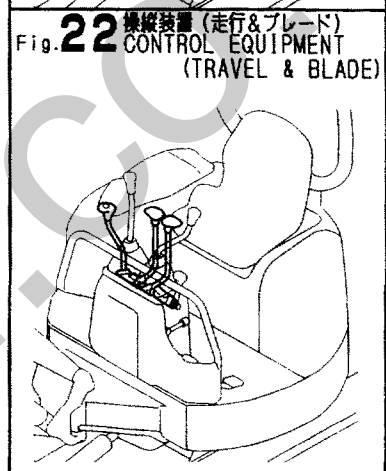
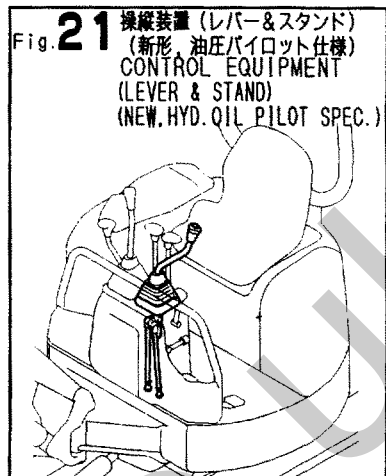
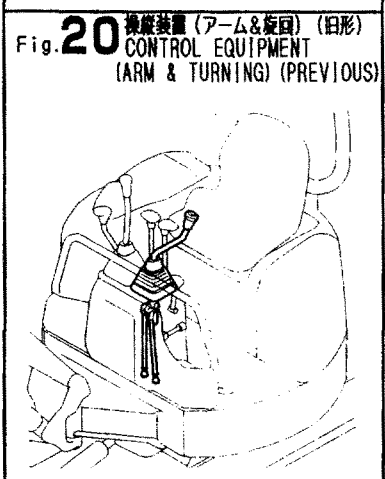
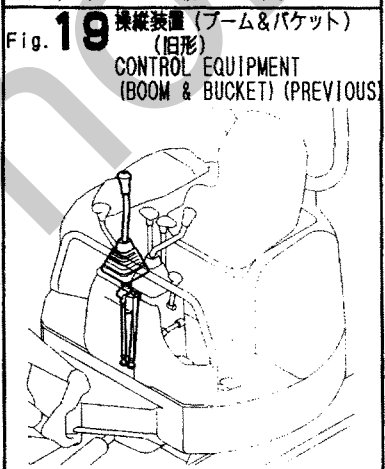
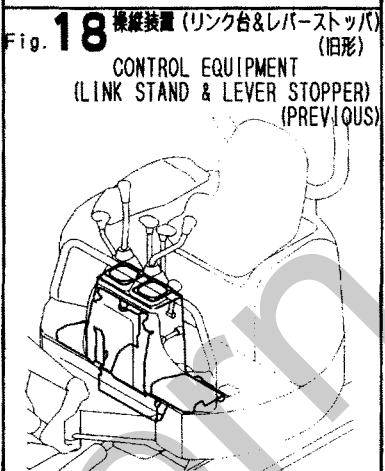
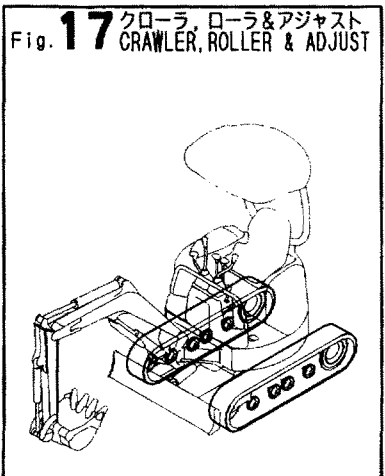
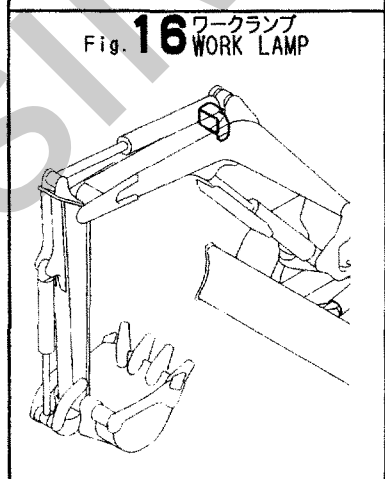
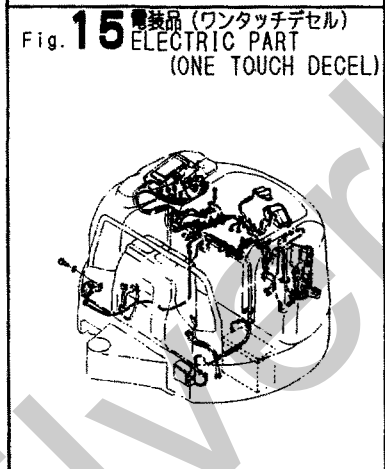
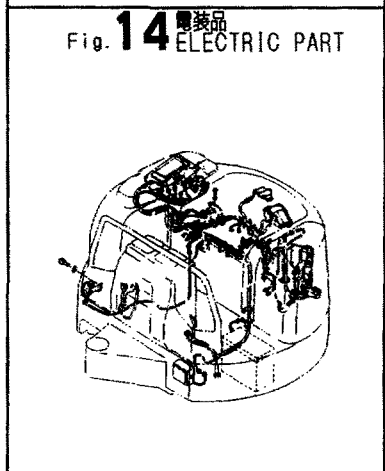
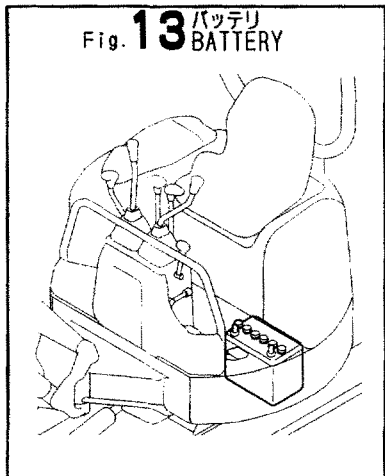
絵目次 (2) 油圧関係
PICTURESQUE INDEX (2) . . . HYDRAULIC SECTION



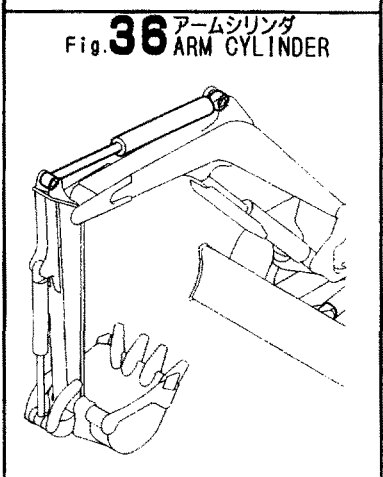
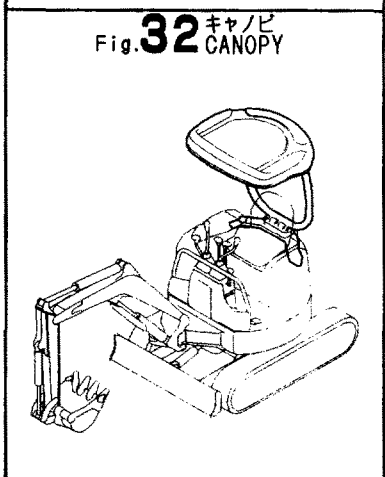
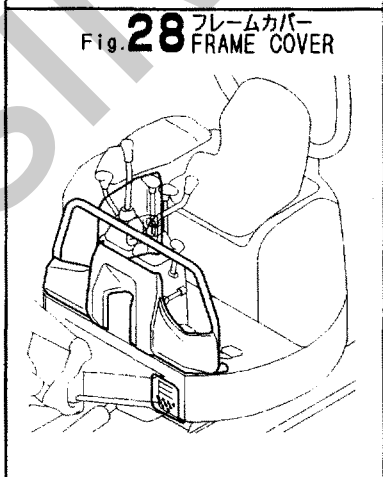
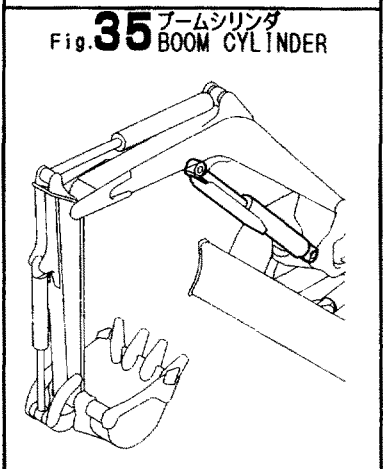
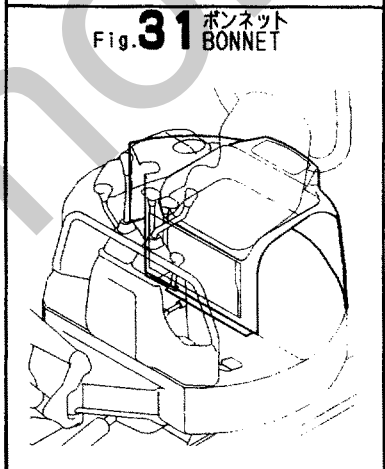
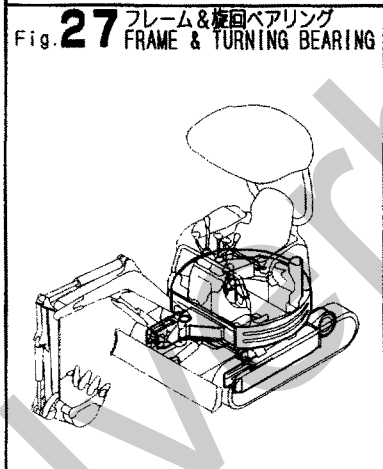
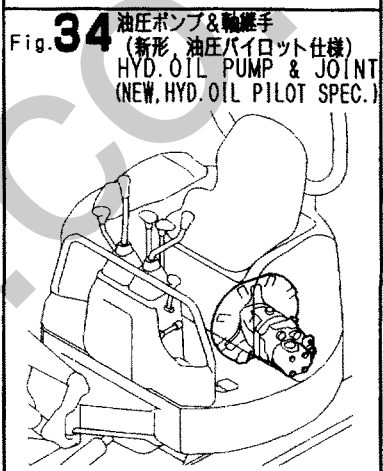
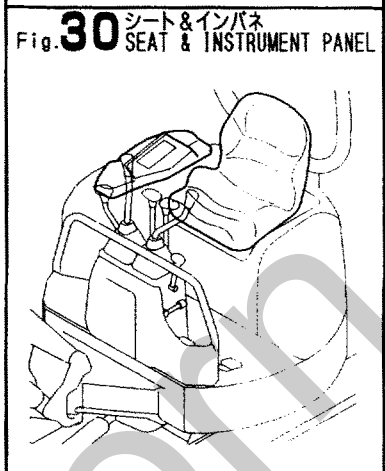
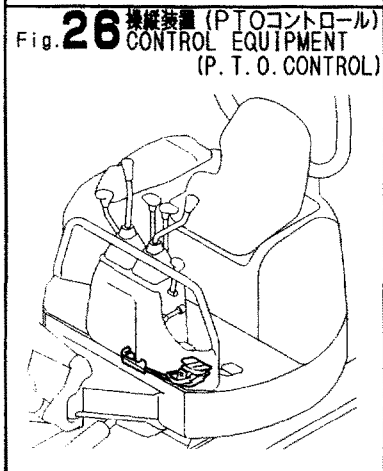
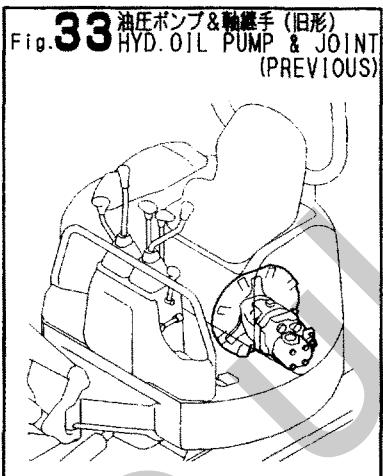
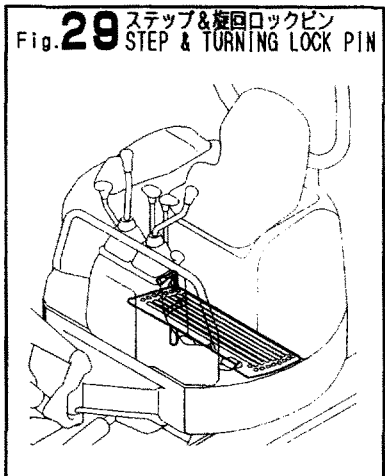
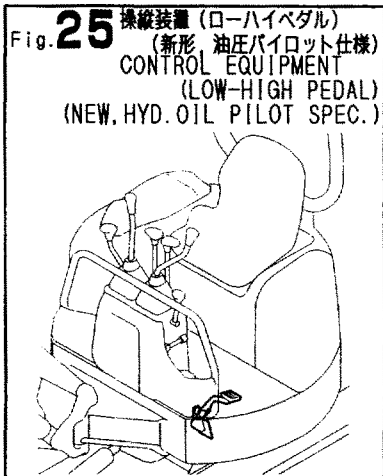
絵目次 (3) 項目別
PICTURESQUE INDEX (3) FIGURE



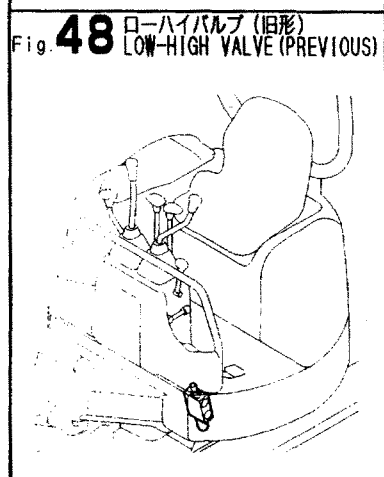
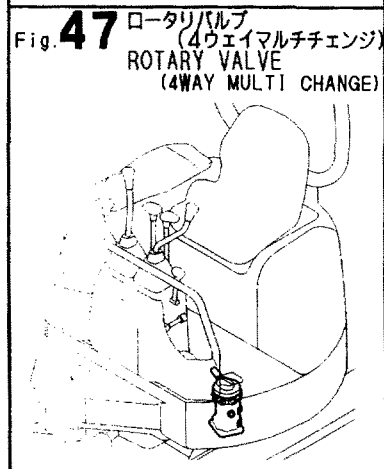
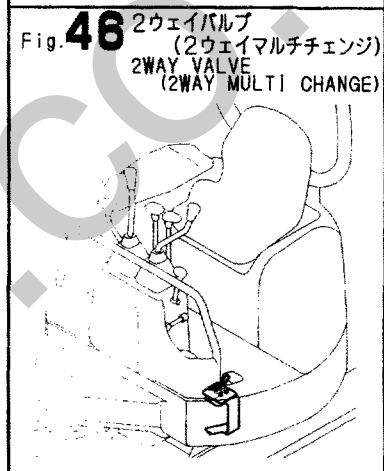
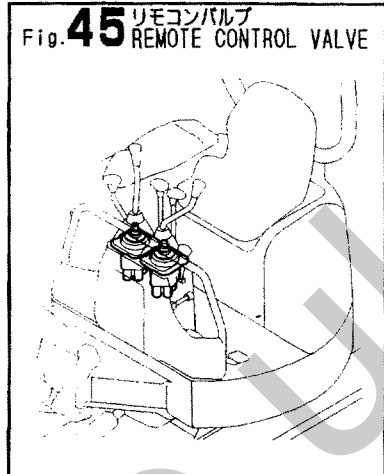
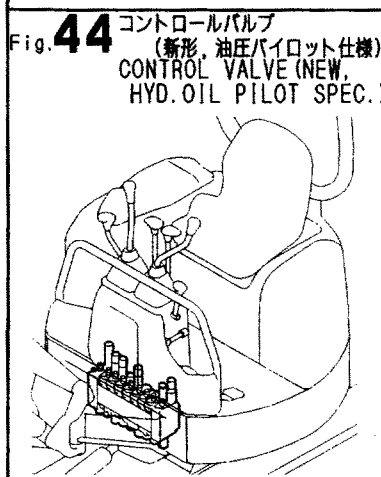
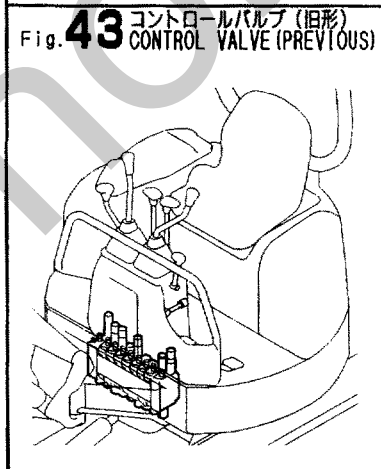
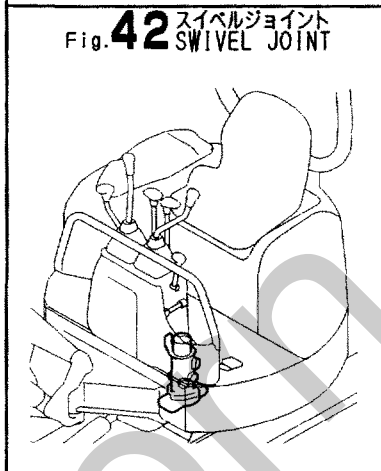
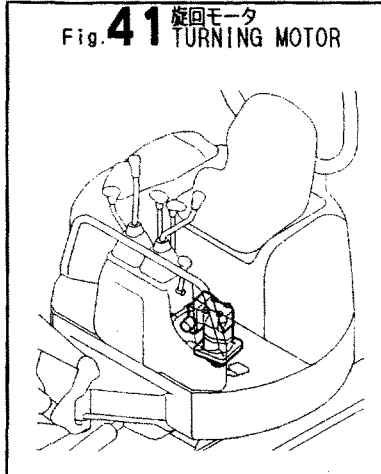
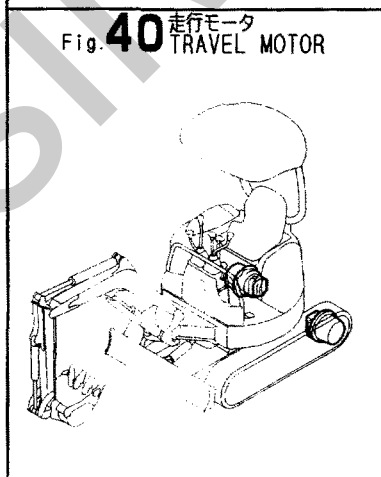
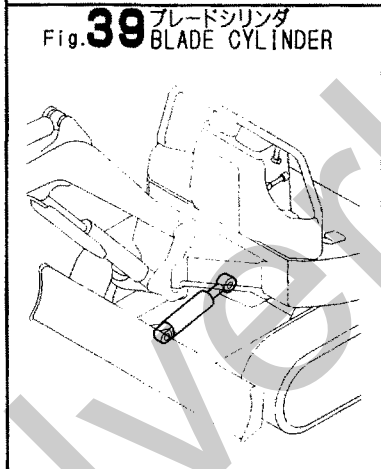
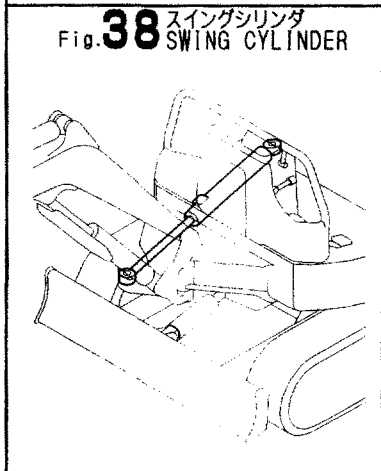
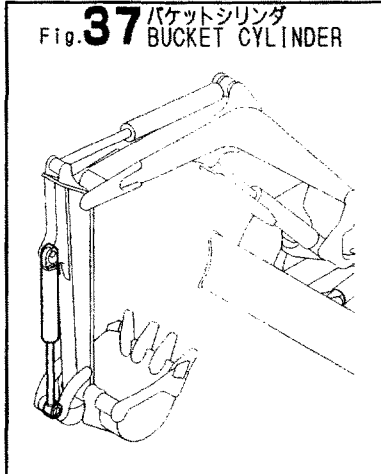
絵目次 (3) 項目別
PICTURESQUE INDEX (3) FIGURE



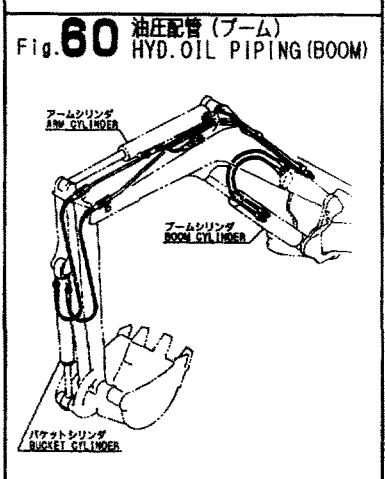
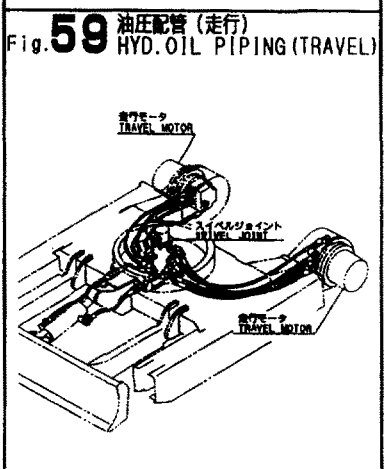
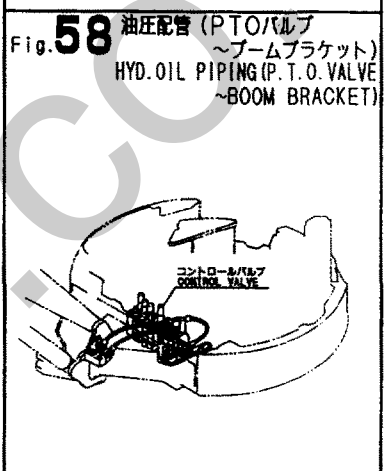
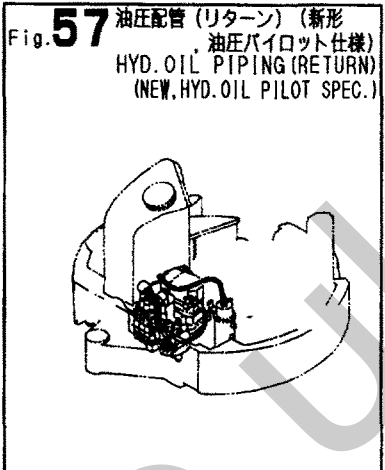
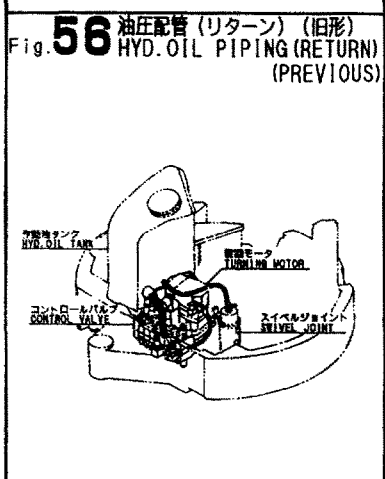
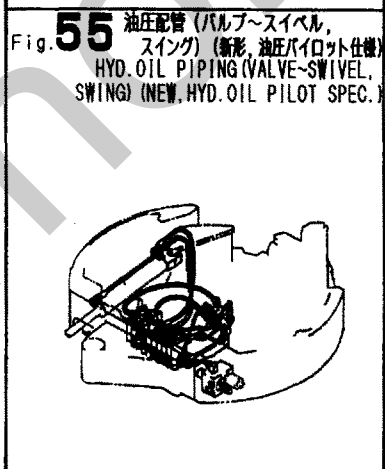
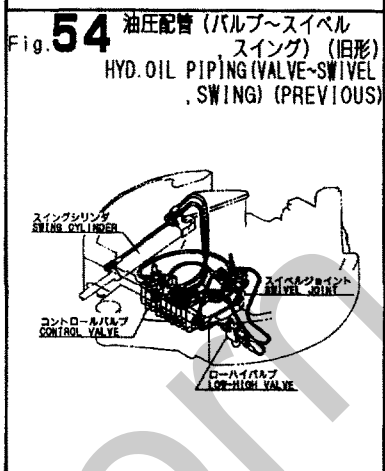
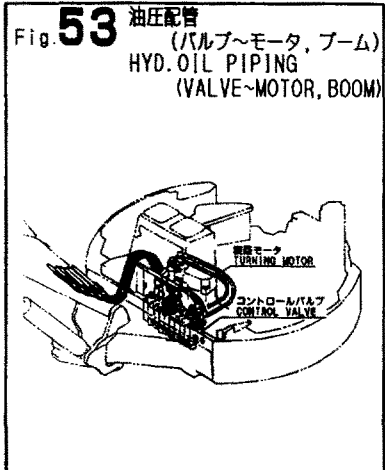
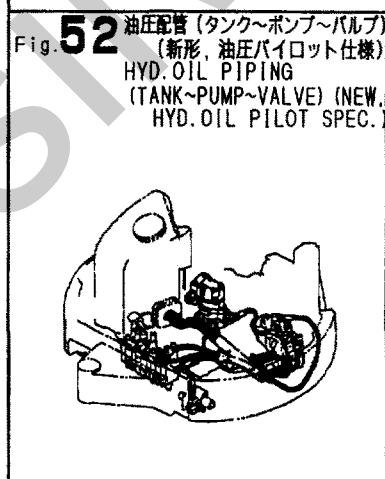
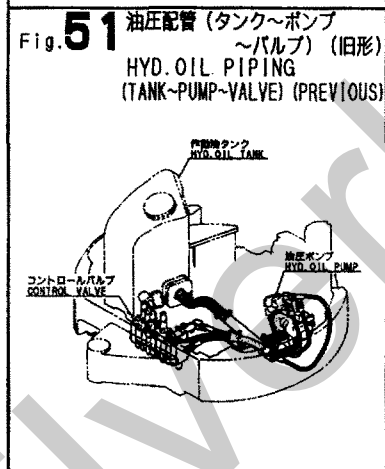
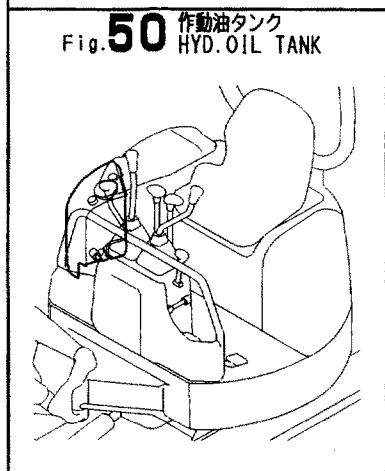
絵目次 (3) 項目別
PICTURESQUE INDEX (3) FIGURE



絵目次 (3) 項目別
PICTURESQUE INDEX (3) FIGURE



絵目次 (3) 項目別
PICTURESQUE INDEX (3) FIGURE



絵目次 (3) 項目別
PICTURESQUE INDEX (3) FIGURE

Fig. **61** 油圧配管 (PTOアームエンド)
HYD. OIL PIPING (P. T. O. ARM END)

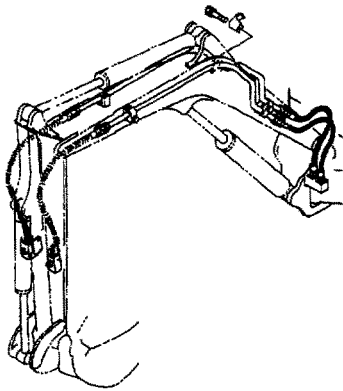


Fig. **62** コントロール配管 (ダイレクト)
CONTROL PIPING (DIRECT)

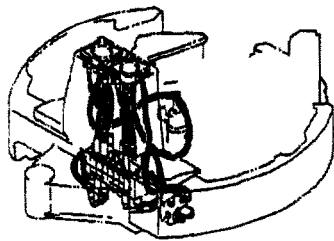


Fig. **63** コントロール配管 (2ウェイマルチチェンジ)
CONTROL PIPING (2WAY MULTI CHANGE)

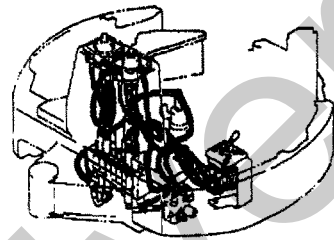


Fig. **64** コントロール配管 (リモコンバルブ ~ ロータリバルブ)
CONTROL PIPING (REMOCON VALVE ~ ROTARY VALVE)

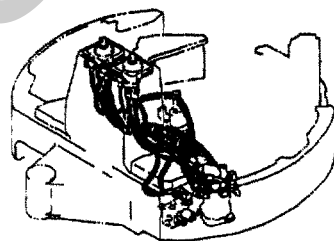


Fig. **65** コントロール配管 (ロータリバルブ ~ コントロールバルブ)
CONTROL PIPING (ROTARY VALVE ~ CONTROL VALVE)

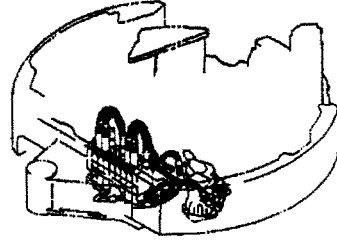


Fig. **66** グリーシング
GREASING

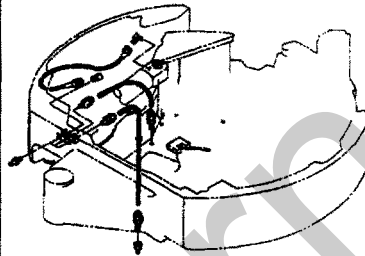


Fig. **67** ブーム&ブームブラケット
BOOM & BOOM BRACKET

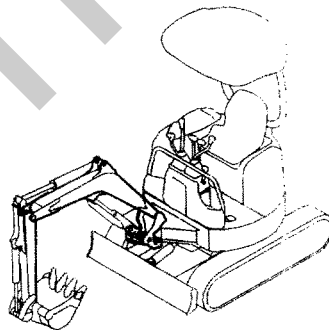


Fig. **68** アーム&バケットリンク
ARM & BUCKET LINK

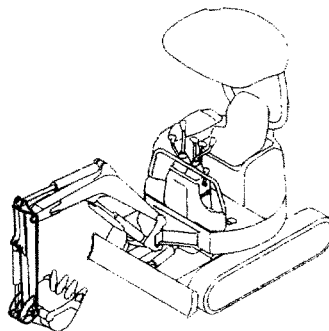


Fig. **69** バケット (450)
BUCKET (450)

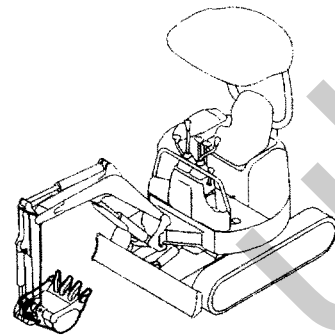


Fig. **70** バケット (400, 350, 300, 250, アタッチメント)
BUCKET (400, 350, 300, 250, ATTACHMENT)

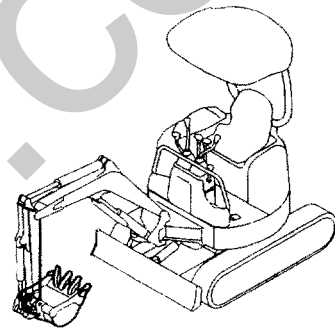


Fig. **71** ブレード
BLADE

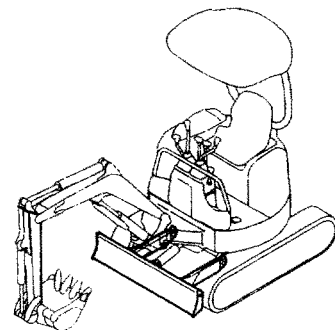
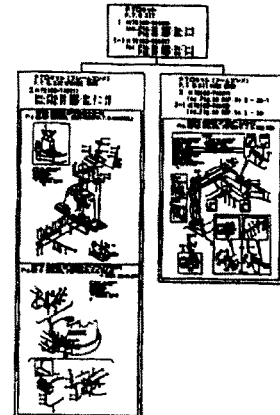
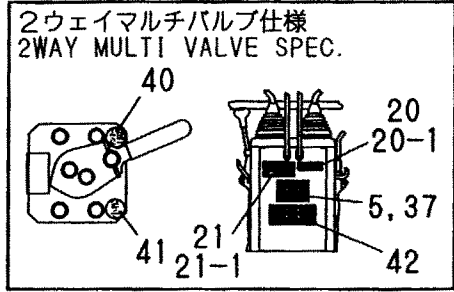
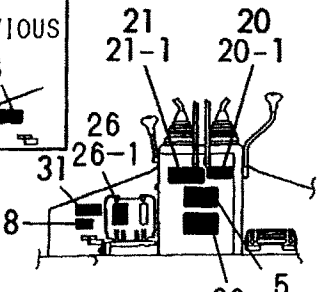


Fig. **72** PTOキット
P. T. O. KIT



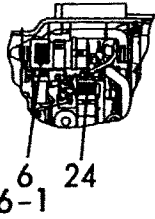
1,1,,772183-03100,, "LABEL SET, CANOPY",1,,,,,,,,,,,,,
1-1,1,,772183-03101,, "LABEL SET, CANOPY",1,,,,,,N,72164368,M/#01463,,,,,,
2,2,,172183-03110,, "LABEL, SMALL",1,,,,,,,,,,,,,
2-1,2,,172183-03111,, "LABEL, SPECIFICATION",1,,,,,,N,,72422137,M/#10729,,,,,,
3,2,,172183-03120,, "LABEL, FEED WATER",1,,,,,,,,,,,,,
3-1,2,,172183-03121,, "LABEL, FEED WATER",1,,,,,,S,72183242,M/#10666,,,,,,
4,2,,172183-03130,, "LABEL, GREASE LUBRCT.",1,,,,,,,,,,,,,
5,2,,172183-03150,, "LABEL, CONTROL",1,,,,,,,,,,,,,
6,2,,172141-03201,, "LABEL, ENGINE ROOM(C)",1,,,,,,,,,,,,,
6-1,2,,172141-03202,, "LABEL, CAUTION",1,,,,,,N,72164368,M/#01463,,,,,,
7,2,,172183-03200,, "LABEL, VIO15",2,,,,,,,,,,,,,
7-1,2,,172183-03201,, "LABEL, VIO15",2,,,,,,N,72164267,M/#00765,,,,,,
8,2,,172147-03210,, "LABEL, 2 SPEED",1,,,,,,,,,,,,,
9,2,,172183-03210,, LABEL,1,,,,,,,,,,,,,
10,2,,172165-03220,, "LABEL, GREASE",1,,,,,,,,,,,,,
11,2,,172183-03220,, "EMBLEM, REAR",1,,,,,,,,,,,,,
11-1,2,,172183-03221,, "EMBLEM, REAR",1,,,,,,R,72186125,M/#02100,,,,,,
12,2,,172183-03230,, "LABEL, TURNING",1,,,,,,,,,,,,,
12-1,2,,172164-03560,, LABEL,1,,,,,,N,72164368,M/#01463,,,,,,
13,2,,172183-03250,, LABEL,1,,,,,,,,,,,,,
14,2,,172519-03290,, "LABEL, ENG. COVER",1,,,,,,,,,,,,,
14-1,2,,172519-04180,, "LABEL, WARNING",1,,,,,,N,72164368,M/#01463,,,,,,
15,2,,172137-03301,, "LABEL, TURNING LOCK",1,,,,,,,,,,,,,
16,2,,172142-03301,, LABEL,1,,,,,,,,,,,,,
16-1,2,,172142-03302,, "LABEL, CAUTION",1,,,,,,N,72164368,M/#01463,,,,,,
17,2,,172183-03300,, "LABEL, FRONT COVER",1,,,,,,,,,,,,,
17,2,,172155-03310,, "LABEL, OILING",1,,,,,,,,,,,,,
19,2,,172183-03310,, "LABEL, INSTRMNT. PANEL",1,,,,,,,,,,,,,
20,2,,172165-03610,, "LABEL A",1,,,,,,,,,,,,,
20-1,2,,172964-03610,, "LABEL A",1,,,,,,N,72164368,M/#01463,,,,,,
21,2,,172165-03620,, "LABEL B",1,,,,,,,,,,,,,
21-1,2,,172164-03500,, LABEL,1,,,,,,N,72164368,M/#01463,,,,,,
22,2,,172165-03660,, "LABEL, BATTERY",1,,,,,,,,,,,,,
22-1,2,,172165-03661,, "LABEL, DANGER",1,,,,,,N,72164368,M/#01463,,,,,,
23,2,,172519-03680,, "LABEL, BRAND",1,,,,,,,,,,,,,
24,2,,121470-44540,, "LABEL, SUB-TANK",1,,,,,,,,,,,,,
25,2,,172183-03140,, "LABEL, ADJUST CRAWLER",1,,,,,,,,,,,,,
26,2,,172165-03230,, "LABEL, P.T.O.",1,,,,,,1,,,,,,,,,,,,,
26-1,2,,172165-03231,, "LABEL, P.T.O.",1,,,,,,N,1,72164328,M/#01136,,,,,,
27,2,,172183-03290,, LABEL,1,,,,,,W,72183130,M/#00765,,,,,,
28,2,,172183-03280,, "LABEL, LOCK",1,,,,,,W,72183132,M/#00737,,,,,,
28-1,2,,172183-03280,, "LABEL, LOCK",2,,,,,,K,72183171,M/#01616,,,,,,
29,2,,172164-03510,, LABEL,1,,,,,,W,72164368,M/#01463,,,,,,
30,2,,172164-03520,, "LABEL, DANGER",1,,,,,,W,72164368,M/#01463,,,,,,
31,2,,172164-03540,, LABEL,1,,,,,,W,72164368,M/#01463,,,,,,
32,2,,172519-04290,, "LABEL, WARNING",1,,,,,,W,72164368,M/#01463,,,,,,
33,2,,172519-04300,, LABEL,1,,,,,,W,72164368,M/#01463,,,,,,
34,2,,172964-03390,, "LABEL, ADJUST",1,,,,,,W,72164368,M/#01463,,,,,,
35,2,,172964-03480,, LABEL,1,,,,,,W,72164368,M/#01463,,,,,,
35-1,2,,172964-03481,, LABEL,1,,,,,,N,72964011,*1995.07,,,,,,
36,2,,172183-03500,, LABEL,1,,,,,,W,72183195,M/#01749,,,,,,
36A,2,,172173-03350,, "LABEL, LIFTING",1,,,,,,W,72164422,M/#02100,,,,,,
36B,2,,172173-03250,, LABEL,1,,,,,,W,*M/#10501,,,,,,
37,1,,172173-03120,, LABEL,1,,,,,,W,1,72176167,M/#01616,,,,,,
39,1,,172165-03250,, LABEL,1,,,,,,2,,,,,,,,,,,,,
40,1,,172173-03560,, "LABEL (YANMAR)",1,,,,,,3,,,,,,,,,,,,,
41,1,,172173-03570,, "LABEL (KOMATSU)",1,,,,,,3,,,,,,,,,,,,,
42,1,,172173-03550,, "LABEL (2-WAY)",1,,,,,,3,,,,,,,,,,,,,

Fig. 1 銘板 LABEL

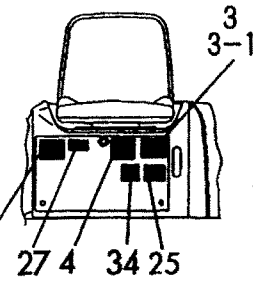


見出しNo. 1は、見出しNo. 2から28を含みます。
1 inc. 2 ~ 28
見出しNo. 1-1は、見出しNo. 2から36Bを含みます。
1-1 inc. 2 ~ 36B

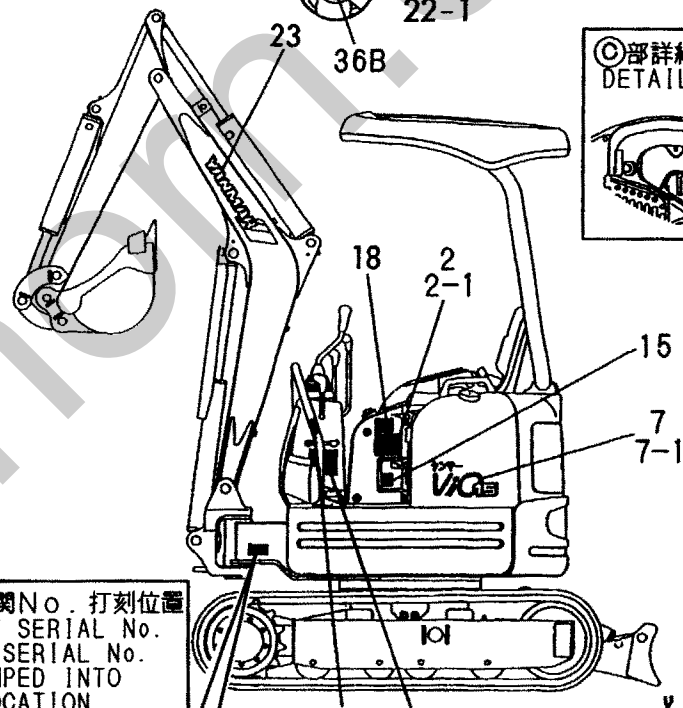
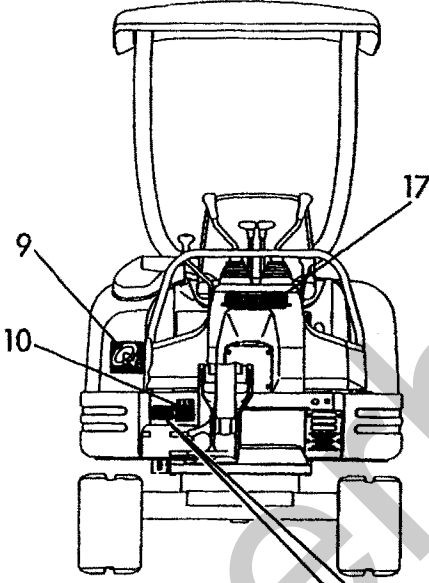
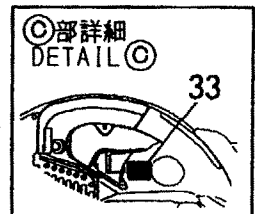
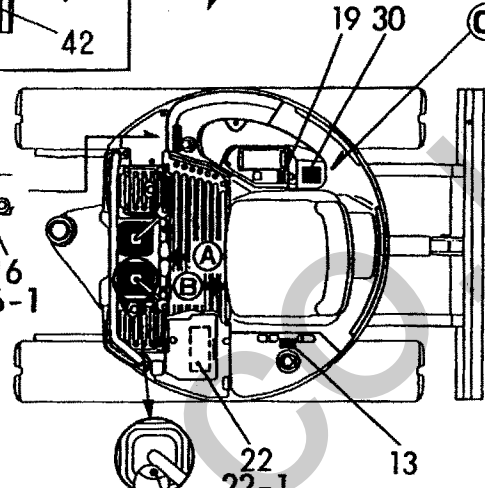
①から見る
VIEWED FROM ①



ボンネット内部
BONNET INSIDE



②から見る
VIEWED FROM ②

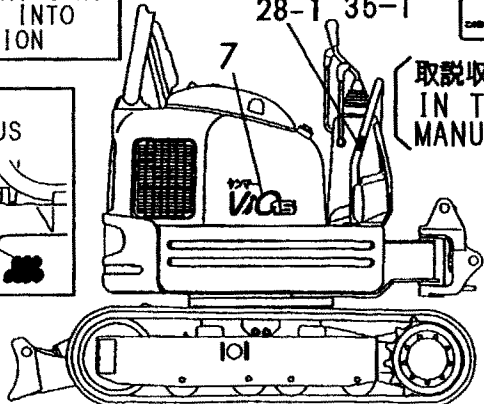
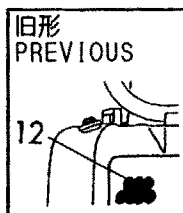
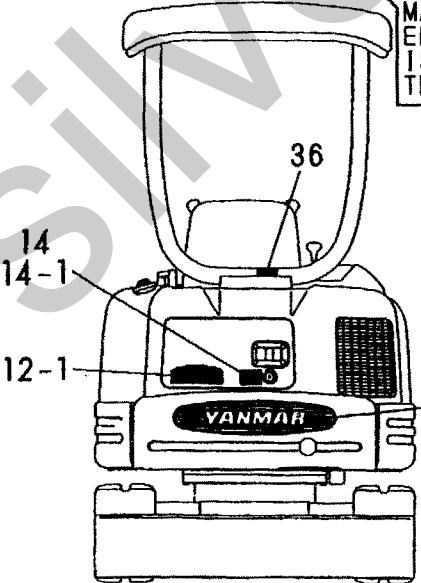


機体、機関No. 打刻位置
MACHINE SERIAL No.
ENGINE SERIAL No.
IS STAMPED INTO
THIS LOCATION

機体No. 打刻位置
MACHINE SERIAL No.
IS STAMPED INTO
THIS LOCATION



取説収納庫内在中
IN THE OPERATION
MANUAL CASE

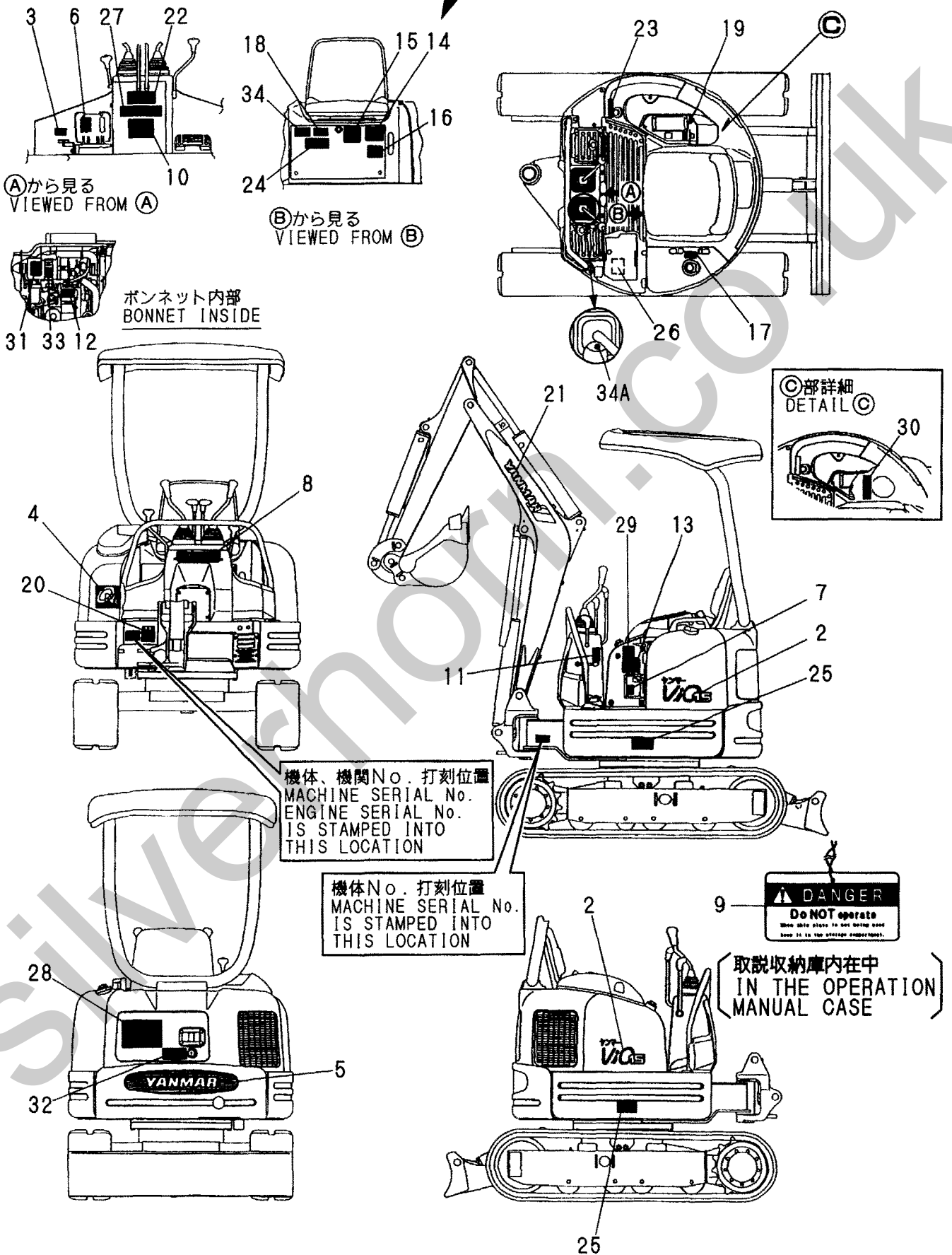


1,1,,772183-03170,, "LABEL SET(E)",,1,,,,,,,,,,,,,,,,,,,,,
2,2,,172183-03201,, "LABEL,VIO15",,2,,,,,,,,,,,,,,,,,,,,,
3,2,,172147-03210,, "LABEL,2 SPEED",,1,,,,,,,,,,,,,,,,,,,,,
4,2,,172183-03210,, LABEL,,1,,,,,,,,,,,,,,,,,,,,,
5,2,,172183-03220,, "EMBLEM,REAR",,1,,,,,,,,,,,,,,,,,,,,,
5-1,2,,172183-03221,, "EMBLEM, REAR",,1,,,,,R,,,,,72186125,M/#02100,,,,,,
6,2,,172165-03231,, "LABEL, P.T.O.",,1,,,,,1,,,,,,,,,,,,,,,,,,,,,
7,2,,172137-03301,, "LABEL, TURNING LOCK",,1,,,,,,,,,,,,,,,,,,,,,
8,2,,172183-03300,, "LABEL,FRONT COVER",,1,,,,,,,,,,,,,,,,,,,,,
9,2,,172171-03400,, PLATE,,1,,,,,,,,,,,,,,,,,,,,,
10,2,,172183-03150,, "LABEL,CONTROL",,1,,,,,,,,,,,,,,,,,,,,,
11,2,,172183-03280,, "LABEL,LOCK",,1,,,,,,,,,,,,,,,,,,,,,
12,2,,124764-44810,, "LABEL, SUB-TANK",,1,,,,,,,,,,,,,,,,,,,,,
13,2,,172183-03410,, "LABEL,SPECIFICATION",,1,,,,,,,,,,,,,,,,,,,,,
14,2,,172183-03420,, "LABEL,OIL&WATER E",,1,,,,,,,,,,,,,,,,,,,,,
14-1,2,,172183-03421,, "LABEL,OIL&WATER E",,1,,,,,N,,,,,72438001,M/#02556,,,,,,
15,2,,172183-03430,, "LABEL,GREASING E",,1,,,,,,,,,,,,,,,,,,,,,
16,2,,172183-03440,, "LABEL,ADJUST CRAWLER",,1,,,,,,,,,,,,,,,,,,,,,
17,2,,172183-03450,, "LABEL,FUEL",,1,,,,,,,,,,,,,,,,,,,,,
18,2,,172183-03460,, "LABEL,COVER",,1,,,,,,,,,,,,,,,,,,,,,
19,2,,172183-03470,, "LABEL,INSTRUMENT PAN",,1,,,,,,,,,,,,,,,,,,,,,
20,2,,172171-03510,, "LABEL, GREASE",,1,,,,,,,,,,,,,,,,,,,,,
21,2,,172519-03680,, "LABEL,BRAND",,1,,,,,,,,,,,,,,,,,,,,,
22,2,,172171-03700,, LABEL,,1,,,,,,,,,,,,,,,,,,,,,
23,2,,172171-03720,, LABEL,,1,,,,,,,,,,,,,,,,,,,,,
24,2,,172171-03740,, LABEL,,1,,,,,,,,,,,,,,,,,,,,,
25,2,,172171-03750,, LABEL,,2,,,,,,,,,,,,,,,,,,,,,
26,2,,172171-03760,, LABEL,,1,,,,,,,,,,,,,,,,,,,,,
27,2,,172171-03770,, LABEL,,1,,,,,,,,,,,,,,,,,,,,,
28,2,,172171-03780,, LABEL,,1,,,,,,,,,,,,,,,,,,,,,
29,2,,172155-03790,, "LABEL,RE-FUELING",,1,,,,,,,,,,,,,,,,,,,,,
30,2,,172171-03790,, "LABEL, RADIATOR",,1,,,,,,,,,,,,,,,,,,,,,
31,2,,172171-03800,, LABEL,,1,,,,,,,,,,,,,,,,,,,,,
32,2,,172171-03810,, LABEL,,1,,,,,,,,,,,,,,,,,,,,,
33,2,,172125-03950,, "LABEL, AIR CLEANER",,1,,,,,,,,,,,,,,,,,,,,,
34,2,,172173-03350,, "LABEL, LIFTING",,1,,,,,,,,,,,,,,,,,,,,,
34A,2,,172173-03250,, LABEL,,1,,,,,W,,,,,*M/#10501,,,,,,



Fig. 2 銘板 (EX) LABEL (EX)

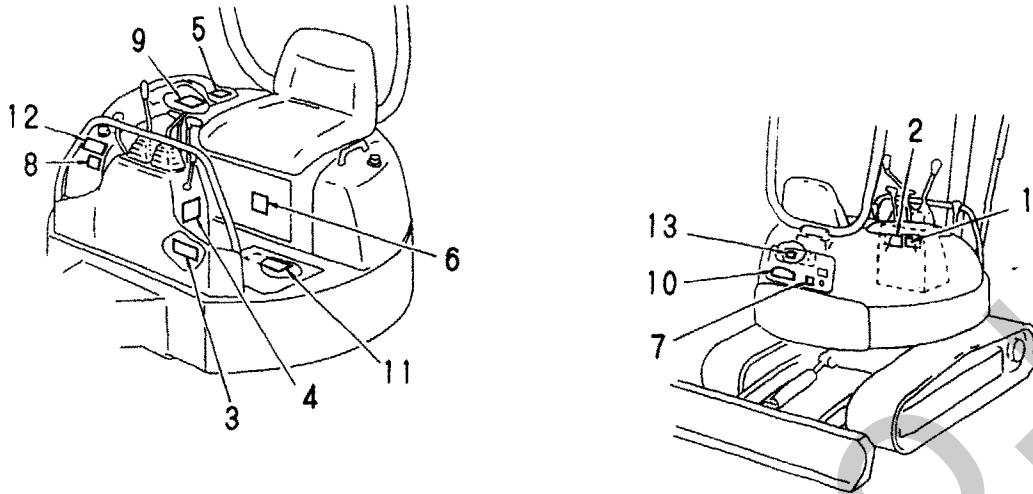
見出しNo. 1は、見出しNo. 2から34Aを含みます。
1 inc. 2 ~ 34A



1,1,,172964-03610,, "LABEL A",1,,,,,,,,,,,,,,,,,,,,,
2,1,,172164-03500,, LABEL,1,,,,,,,,,,,,,,,,,,,,,
3,1,,172164-03540,, LABEL,1,,,,,,,,,,,,,,,,,,,,,
4,1,,172164-03510,, LABEL,1,,,,,,,,,,,,,,,,,,,,,
5,1,,172164-03520,, "LABEL,DANGER",1,,,,,,,,,,,,,,,,,,,,,
6,1,,172964-03390,, "LABEL,ADJUST",1,,,,,,,,,,,,,,,,,,,,,
7,1,,172519-04180,, "LABEL,WARNING",1,,,,,,,,,,,,,,,,,,,,,
8,1,,172519-04290,, "LABEL,WARNING",1,,,,,,,,,,,,,,,,,,,,,
9,1,,172519-04300,, LABEL,1,,,,,,,,,,,,,,,,,,,,,
10,1,,172164-03560,, LABEL,1,,,,,,,,,,,,,,,,,,,,,
11,1,,172165-03661,, "LABEL,DANGER",1,,,,,,,,,,,,,,,,,,,,,
12,1,,172142-03302,, "LABEL,CAUTION",1,,,,,,,,,,,,,,,,,,,,,
13,1,,172141-03202,, "LABEL,CAUTION",1,,,,,,,,,,,,,,,,,,,,,
14,1,,172964-03480,, LABEL,1,,,,,,,,,,,,,,,,,,,,,
14-1,1,,172964-03481,, LABEL,1,,,,,N,,72964011,M/#01563,,,,,,,,,,,,,

Silverhorn.CO.UK

Fig. 3 安全銘板 SAFETY LABEL



安全銘板の貼付け位置は、取扱説明書をご参照下さい。

1

警告

本機を安全に使用するため、運転・点検・整備の前には必ず取扱い説明書をお読みください。十分な知識がないまま、本機を運転・点検・整備した場合、重大な人身事故につながる可能性があります。

172944-03610

2

警告

●エンジン、モータを始動するときは、かならず各操作レバーが「中立」位置であることを確認してください。本機が急に動いて死傷するおそれがあります。

●駐車時および車両からはなれるときは次のことを厳守してください。

- 作業機、荷台および作業台を後退または降下してください。
- 操作レバーのロック装置を解除しているものは確実にロックしてください。
- 駐車レバーを解除しているものは、確実にかけてください。
- エンジンを停止して、キーを抜き取ってください。
- 傾斜地で駐車するときは、かならず止り止めをかけてください。

3

警告

●傾斜地での先行や作機は、取扱い説明書に死傷するおそれがありますので次のことを厳守してください。

- エンジンを後退にして温度を下げてください。
- 先行するときは作業機を前方にして、バケットを地上から20~30cmの高さにしてください。
- 前方傾斜地や横切り先行は行わないでください。
- 下り際は、エンジンブレーキを併用してゆっくり降りてください。

172944-03610

4

警告

●トラックへの積み込み、取降きは車高が低くして、死傷するおそれがありますので、次のことを厳守してください。

- 平坦な地面の固いところで行ってください。
- 運転の角度は15°以下にしてください。16°以下は、
- 運転は、引っ掛け金具があり、幅、長さ、ブロック、止り止め、強度が十分あるものを使用してください。
- 作業機、荷台および作業台は下げて、低速で行ってください。
- 運転上ではせつたいに道路変更、変更はしないでください。

172944-03610

5

危険

高電圧に注意

車両が電線に近づきすぎると死傷するおそれがあります。

電線の電圧	安全な距離
6.5kV	少なくとも2m
66.0kV	少なくとも4m
275.0kV	少なくとも7m

172944-03610

6

警告

調整調整シリンダ内は高圧がかかっており危険です。

調整の液りを調整する時にプラグを一回転以上戻してはいけません。一回転以上回すとプラグとグリスが飛び出して怪我をする恐れがあります。調整手順はマニュアルを参照してください。

14X-06-11161

7

警告

エンジン回転中はつぎのことを守ってください。

- ボンネットは開けないこと。
- ファン及びファンベルトに近付かないこと。

172919-04100

8

警告

□作動油タンクの補給口開ける時は必ずエンジンを停止してください。

□作動油温が高いときはドレンプラグを緩めないでください。火傷をします。

172919-04200

9

警告

高温の冷却水に注意

高温の冷却水の吹き出しを防ぐために

- ・エンジンを停止して下さい。
- ・水温が下がるまで待って下さい。
- ・キャップをゆっくり回して圧力を逃がしてからキャップを取り外して下さい。

14E-09-11141

10

危険

旋回内 立入禁止

11

注意

●エンジンルーム内には、エンジンが動いているときに近づかないでください。

●やむをえずエンジン停止直後に点検を行なうときはサイレンサ・排気管などでやけどをしないように十分注意してください。

172141-03202

12

注意

●運転中および運転直後は、作動油タンクが高温になります。

●作動油タンクには手や体をふれないでください。やけどをするおそれがあります。

172141-03202

13

注意

●エンジンルーム内の点検は、エンジンが冷えているときに行なってください。

●やむをえずエンジン停止直後に点検を行なうときはサイレンサ・排気管などでやけどをしないように十分注意してください。

172141-03202

14

危険

運転するな!

この警告標を使用しない場合は乗員が乗入れに注意して下さい。

219-08-31700

14-1

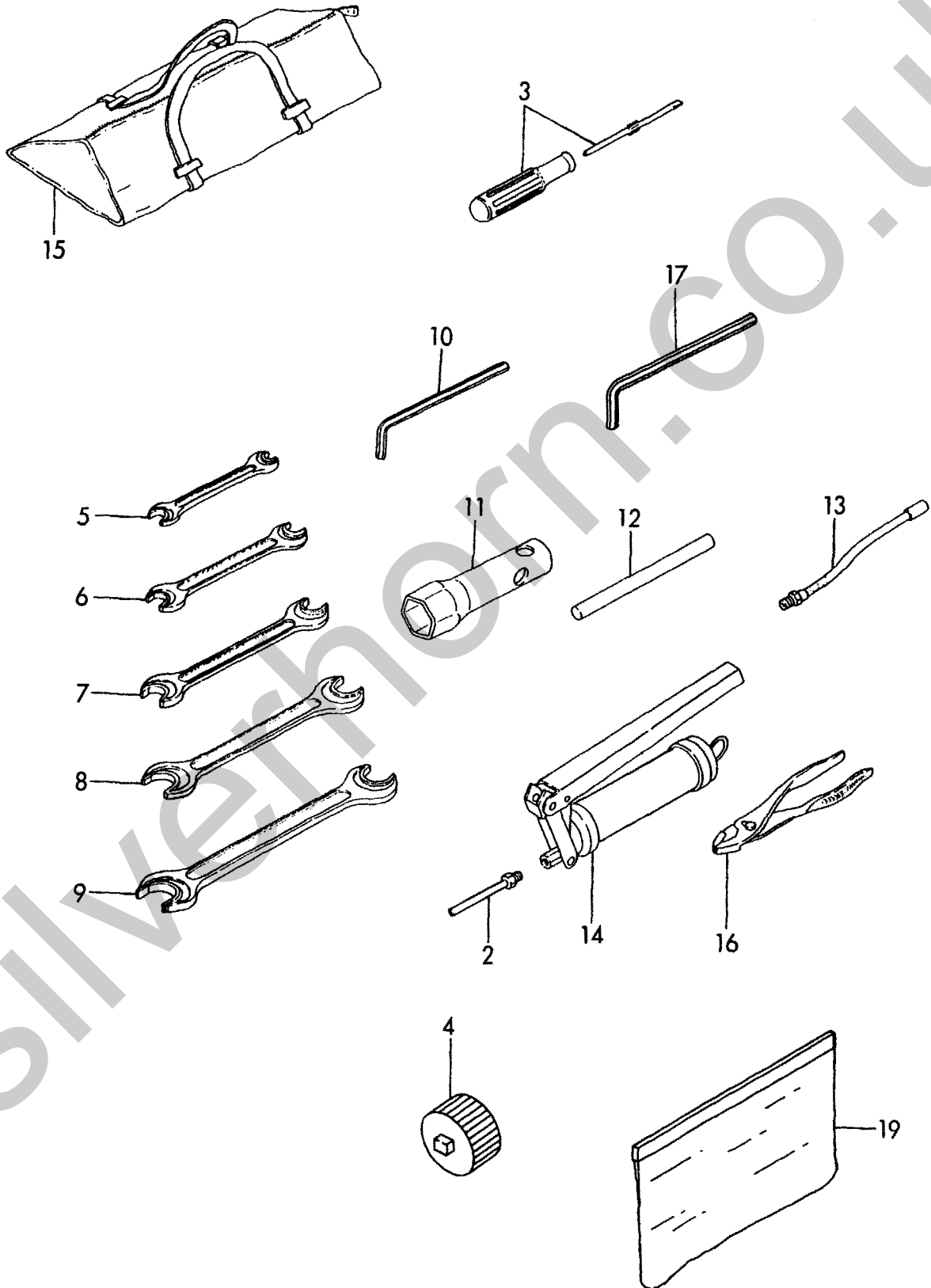
取扱収納庫内在中
IN THE OPERATION
MANUAL CASE

1,1,,772183-05100,, "TOOL SET",1,1,,,,,,,,,,,,,
2,2,,172122-05100,, NOZZLE,1,,,,,,,,,,,,,
2-1,2,,172122-05101,, NOZZLE,1,1,,,,,N,,72176160,M/#01475,,,,,,,,,
3,2,,104200-92350,, "DRIVER, SCREW",1,1,,,,,,,,,,,,,
4,2,,119332-92751,, "WRENCH, FILTER",1,1,,,,,,,,,,,,,
5,2,,28110-080100,, "WRENCH 8X10",1,1,,,,,,,,,,,,,
6,2,,28110-120140,, "WRENCH 12X14",2,2,,,,,,,,,,,,,
7,2,,28110-170190,, "WRENCH 17X19",1,1,,,,,,,,,,,,,
8,2,,28110-220240,, "WRENCH 22X24",1,1,,,,,,,,,,,,,
9,2,,28110-270300,, "WRENCH 27X30",1,1,,,,,,,,,,,,,
10,2,,28150-050000,, "BAR WRENCH",1,1,,,,,,,,,,,,,
11,2,,28227-271400,, "BOX WRENCH 27X140",1,1,,,,,,,,,,,,,
12,2,,28230-120250,, "TURNING HANDLE",1,1,,,,,,,,,,,,,
13,2,,933110-09700,, "HOSE, GREASE",1,,,,,,,,,,,,,
13-1,2,,933110-09701,, "HOSE, GREASE",1,1,,,,,N,,72176160,M/#01475,,,,,,,,,
14,2,,933110-09800,, "GUN 800, GREASE",1,,,,,,,,,,,,,
14-1,2,,933110-09801,, "GUN 800, GREASE",1,1,,,,,N,,72176160,M/#01475,,,,,,,,,
15,2,,933110-90000,, "BAG, TOOL",1,1,,,,,,,,,,,,,
16,2,,933171-00470,, "PLIERS 200",1,1,,,,,,,,,,,,,
17,2,,28150-080000,, "BAR WRENCH 8",1,1,,,,,,,,,,,,,
19,1,,172176-07330,, "BAG, MANUAL",1,1,,,,,W,,72176164,M/#01442,,,,,,,,,
19-1,1,,172176-07330,, "BAG, MANUAL",1,,,,,Z,,,,72183227,M/#02706,,,,,,,,,



Fig. 4 工具
TOOL

見出しNo. 1は、見出しNo. 2から17を含みます。
1 inc. 2 ~ 17



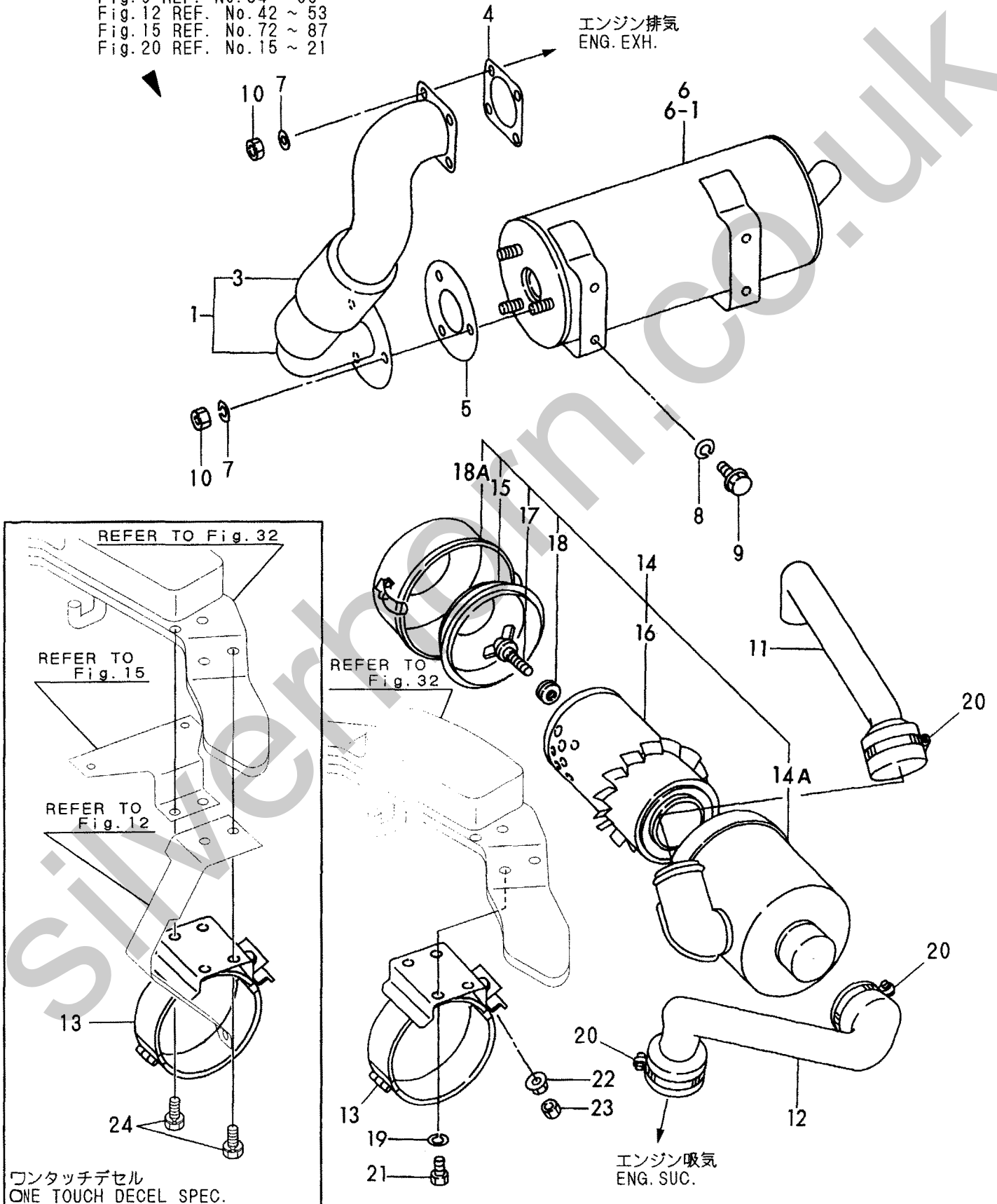
1,1,,172183-11300,, "TUBE ASSY.,EXHAUST",1,1,,,,,,,,,,,,,
3,2,,172183-11400,, "INSULANT,THERMAL",1,1,,,,,,,,,,,,,
4,1,,124701-11911,, "GASKET, (NON-ASB.)",1,1,,,,,,,,,,,,,
5,1,,103954-13201,, "GASKET, SILENCER",1,1,,,,,,,,,,,,,
6,1,,119233-13520,, SILENCER,1,,,,,,,,,,,,,
6-1,1,,119233-13521,, SILENCER,1,1,,,,,N,72173048,M/#01415,,,,,
7,1,,22217-080000,, "SPRING WASHER 8",7,7,,,,,,,,,,,,,
8,1,,22217-100000,, "SPRING WASHER 10",4,4,,,,,,,,,,,,,
9,1,,26116-100202,, "BOLT M10X 20 PLATED",4,4,,,,,,,,,,,,,
10,1,,26716-080002,, "NUT M 8",7,7,,,,,,,,,,,,,
11,1,,172183-11600,, "HOSE A,AIR CLEANER",1,1,,,,,,,,,,,,,
12,1,,172183-11610,, "HOSE B,AIR CLEANER",1,1,,,,,,,,,,,,,
13,1,,172183-11620,, "SUPPORT CMP.,CLEANER",1,1,,,,,,,,,,,,,
14,1,,119233-12500,, "CLEANER, AIR",1,1,,,,,,,,,,,,,
14A,2,,119233-12560,, "CASE ASSY",1,1,,,,,W,TN-95839,M/#01721,,,,,
15,2,,121465-12700,, RETAINER,1,1,,,,,,,,,,,,,
16,2,,121465-12510,, "ELEMENT, AIR CLEANER",1,1,,,,,,,,,,,,,
17,2,,124064-12680,, "BOLT, WING",1,1,,,,,,,,,,,,,
18,2,,124064-12690,, WASHER,1,1,,,,,,,,,,,,,
18A,2,,119233-12570,, "DUST PAN",1,1,,,,,W,TN-95839,M/#01721,,,,,
19,1,,22217-080000,, "SPRING WASHER 8",4,4,,,,,,,,,,,,,
20,1,,23000-060000,, "CLAMP 60",3,3,,,,,,,,,,,,,
21,1,,26116-080162,, "BOLT 8X16",4,4,,,,,,,,,,,,,
22,1,,26366-080002,, "NUT M 8",1,1,,,,,,,,,,,,,
23,1,,26716-080002,, "NUT M 8",1,1,,,,,,,,,,,,,
24,1,,26013-080202,, "BOLT W/WASHER M8X20",4,,,,,1,,,,,



Fig. 5 サイレンサ&エアクリーナ SILENSER & AIR CLEANER

ワンタッチデセルキット
ONE TOUCH DECEL KIT
(172183-08200)

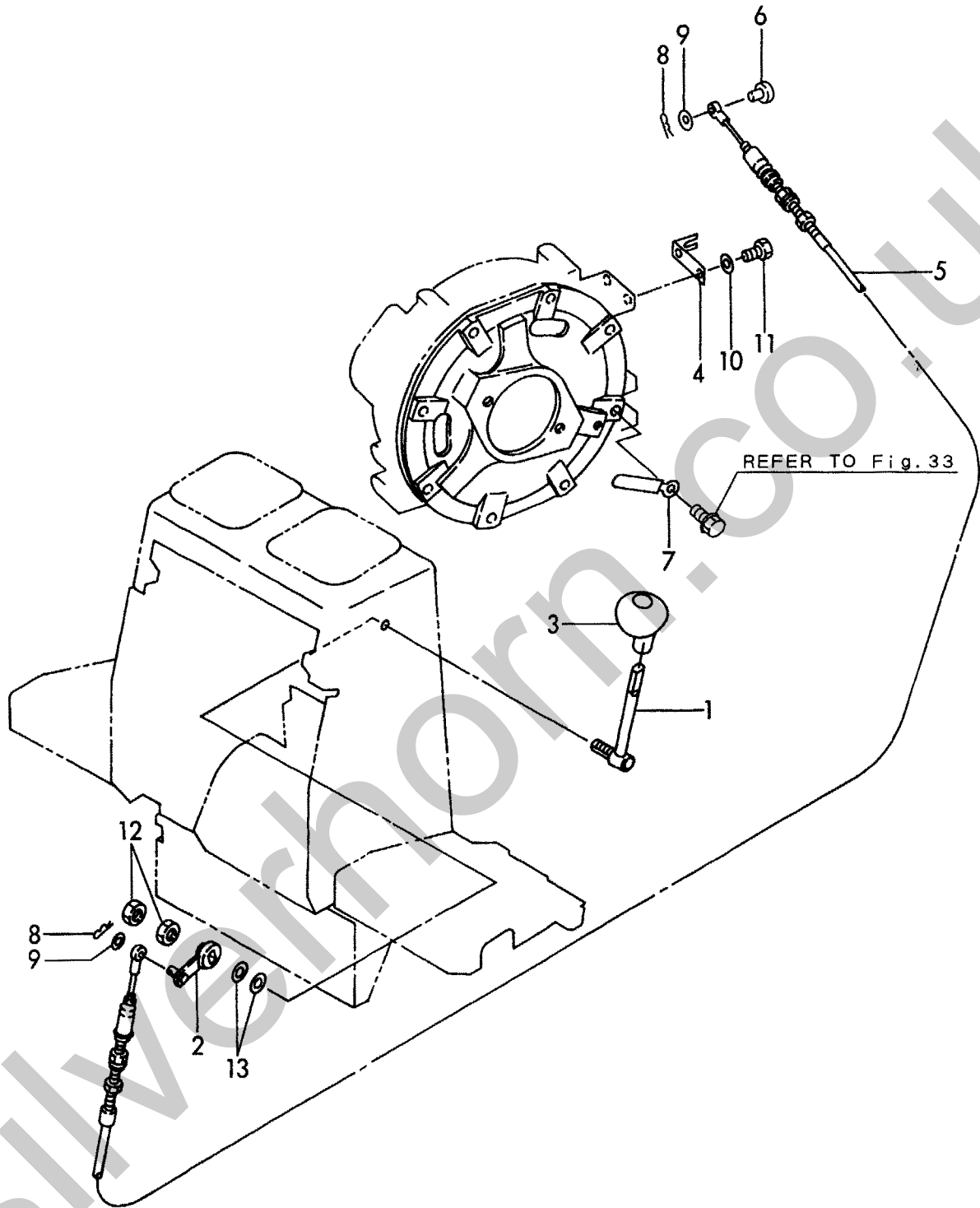
- Fig. 7 REF. No. 1
inc. Fig. 5 REF. No. 24
Fig. 7 REF. No. 2 ~ 30
Fig. 9 REF. No. 54 ~ 56
Fig. 12 REF. No. 42 ~ 53
Fig. 15 REF. No. 72 ~ 87
Fig. 20 REF. No. 15 ~ 21



1,1,,172183-12100,, "LEVER COMP.,ACCEL." ,1,1,,,,,,,,,,,,,,,,,
2,1,,172183-12130,, "ARM COMP,ACCELERATOR" ,1,1,,,,,,,,,,,,,,,,,
3,1,,172146-12150,, "GRIP,ACCELERATOR" ,1,1,,,,,,,,,,,,,,,,,
4,1,,172183-12180,, "BRACKET COMP.,ACCEL." ,1,1,,,,,,,,,,,,,,,,,
5,1,,172183-12200,, "CABLE,ACCELERATOR" ,1,1,,,,,,,,,,,,,,,,,
6,1,,172113-12521,, "PIN, CABLE" ,1,1,,,,,,,,,,,,,,,,,
6-1,1,,172113-
12522,,PIN,1,1,,,,,N,,72426072,M/#10776,72426072,M/#10776,,,,,,I
7,1,,172126-16540,, "CLAMP 10X70" ,1,1,,,,,,,,,,,,,,,,,
8,1,,1C6281-52310,, "PIN 6,COME-OFF SNAP" ,2,2,,,,,,,,,,,,,,,,,
9,1,,22137-060000,, "WASHER 6, POLISHED" ,2,2,,,,,,,,,,,,,,,,,
10,1,,22217-080000,, "SPRING WASHER 8" ,2,2,,,,,,,,,,,,,,,,,
11,1,,26116-080202,, "BOLT M 8X 20 PLATED" ,2,2,,,,,,,,,,,,,,,,,
12,1,,26756-120002,, "LOCK NUT 12" ,2,2,,,,,,,,,,,,,,,,,
13,1,,933170-01490,, "SPRING 12" ,2,2,,,,,,,,,,,,,,,,,

Silverhorn.CO.UK

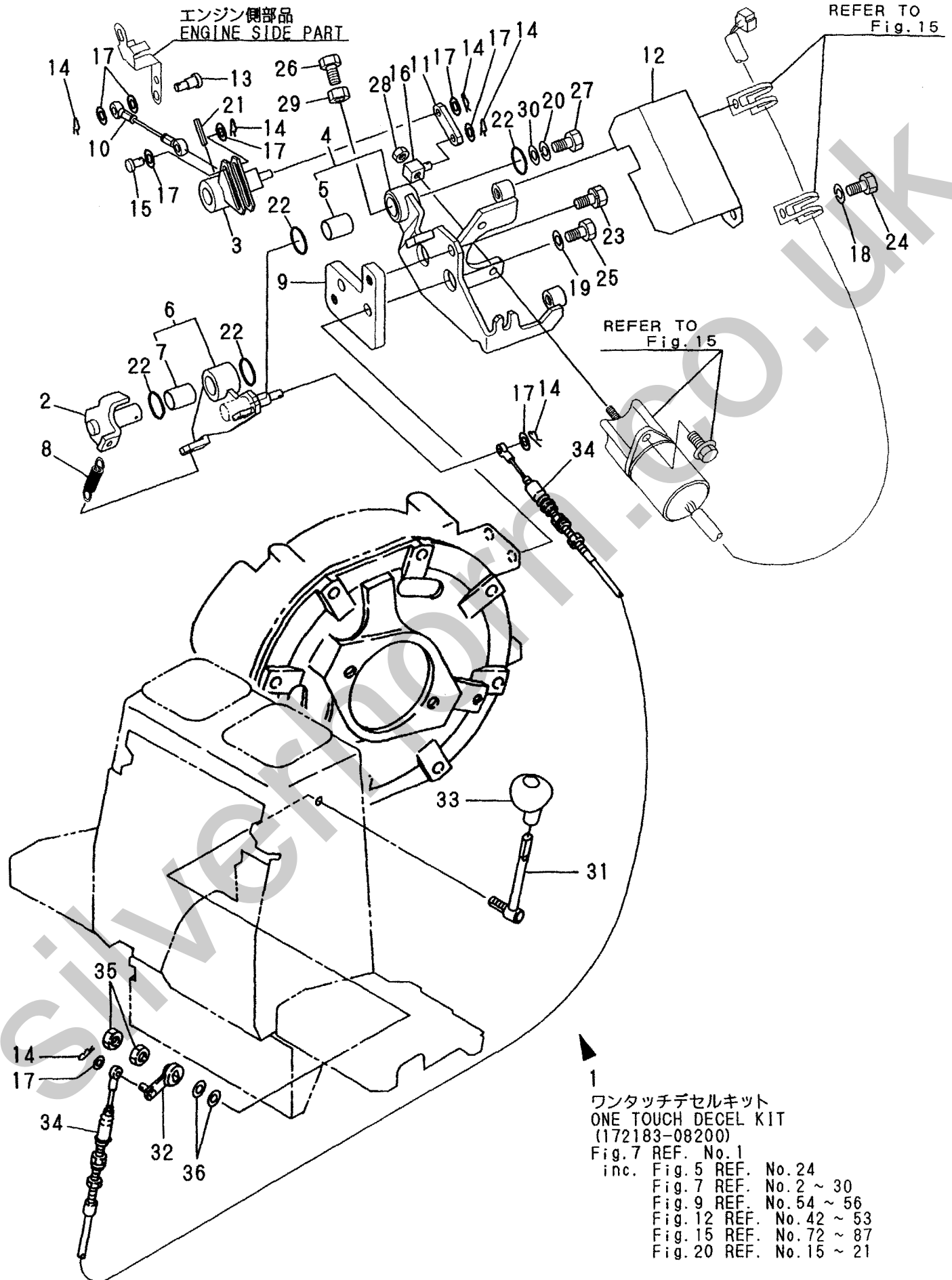
Fig. 6 アクセル
ACCELERATOR



1,1,,172183-08200,, "DECELERATE KIT",1,,,,,,,,,1,,,,,,,,,
2,2,,172164-12200,, "SHAFT CMP",1,,,,,,,,,1,,,,,,,,,
3,2,,172175-12230,, "LINK A",1,,,,,,,,,1,,,,,,,,,
4,2,,172183-12260,, "BASE ASSY",1,,,,,,,,,1,,,,,,,,,
5,3,,24550-014200,, "BUSH 14X20",1,,,,,,,,,1,,,,,,,,,
6,2,,172183-12310,, "LINK B",1,,,,,,,,,1,,,,,,,,,
7,3,,24550-014200,, "BUSH 14X20",1,,,,,,,,,1,,,,,,,,,
8,2,,172175-12350,, "SPRING, RETURN",1,,,,,,,,,1,,,,,,,,,
9,2,,172183-12350,, "SPACER",1,,,,,,,,,1,,,,,,,,,
10,2,,172175-12360,, "CABLE, ACCELERATOR",1,,,,,,,,,1,,,,,,,,,
11,2,,172175-12370,, "PLATE",1,,,,,,,,,1,,,,,,,,,
12,2,,172183-12380,, "COVER",1,,,,,,,,,1,,,,,,,,,
13,2,,172113-12521,, "PIN, CABLE",1,,,,,,,,,1,,,,,,,,,
13-1,2,,172113-12522,, "PIN",1,,,,,,,,,N,72426072,M/#10776,,,,,,,,,I
14,2,,1C6281-52310,, "PIN 6,COME-OFF SNAP",6,,,,,,,,,1,,,,,,,,,
15,2,,1A3809-56915,, "PIN 6X 20",1,,,,,,,,,1,,,,,,,,,
16,2,,119620-66820,, "JOINT",1,,,,,,,,,1,,,,,,,,,
17,2,,22137-060000,, "WASHER 6, POLISHED",8,,,,,,,,,1,,,,,,,,,
18,2,,22217-080000,, "SPRING WASHER 8",2,,,,,,,,,1,,,,,,,,,
19,2,,22217-080000,, "SPRING WASHER 8",2,,,,,,,,,1,,,,,,,,,
20,2,,22217-100000,, "SPRING WASHER 10",1,,,,,,,,,1,,,,,,,,,
21,2,,22351-040025,, "PIN 4X25,SPRING",1,,,,,,,,,1,,,,,,,,,
22,2,,24311-000210,, "O-RING 1A P-21.0",4,,,,,,,,,1,,,,,,,,,
23,2,,26013-080202,, "BOLT W/WASHER M8X20",2,,,,,,,,,1,,,,,,,,,
24,2,,26116-080162,, "BOLT 8X16",2,,,,,,,,,1,,,,,,,,,
25,2,,26116-080162,, "BOLT 8X16",2,,,,,,,,,1,,,,,,,,,
26,2,,26116-080252,, "BOLT M 8X 25 PLATED",1,,,,,,,,,1,,,,,,,,,
27,2,,26116-100162,, "BOLT M10X 16 PLATED",1,,,,,,,,,1,,,,,,,,,
28,2,,26716-060002,, "NUT 6",1,,,,,,,,,1,,,,,,,,,
29,2,,26756-080002,, "LOCK NUT M 8 PLATED",1,,,,,,,,,1,,,,,,,,,
30,2,,933166-17730,, "WASHER 10.5X30",1,,,,,,,,,1,,,,,,,,,
31,1,,172183-12100,, "LEVER COMP.,ACCEL.",1,,,,,,,,,1,,,,,,,,,
32,1,,172183-12130,, "ARM COMP,ACCELERATOR",1,,,,,,,,,1,,,,,,,,,
33,1,,172146-12150,, "GRIP,ACCELERATOR",1,,,,,,,,,1,,,,,,,,,
34,1,,172183-12200,, "CABLE,ACCELERATOR",1,,,,,,,,,1,,,,,,,,,
35,1,,26756-120002,, "LOCK NUT 12",2,,,,,,,,,1,,,,,,,,,
36,1,,933170-01490,, "SPRING 12",2,,,,,,,,,1,,,,,,,,,



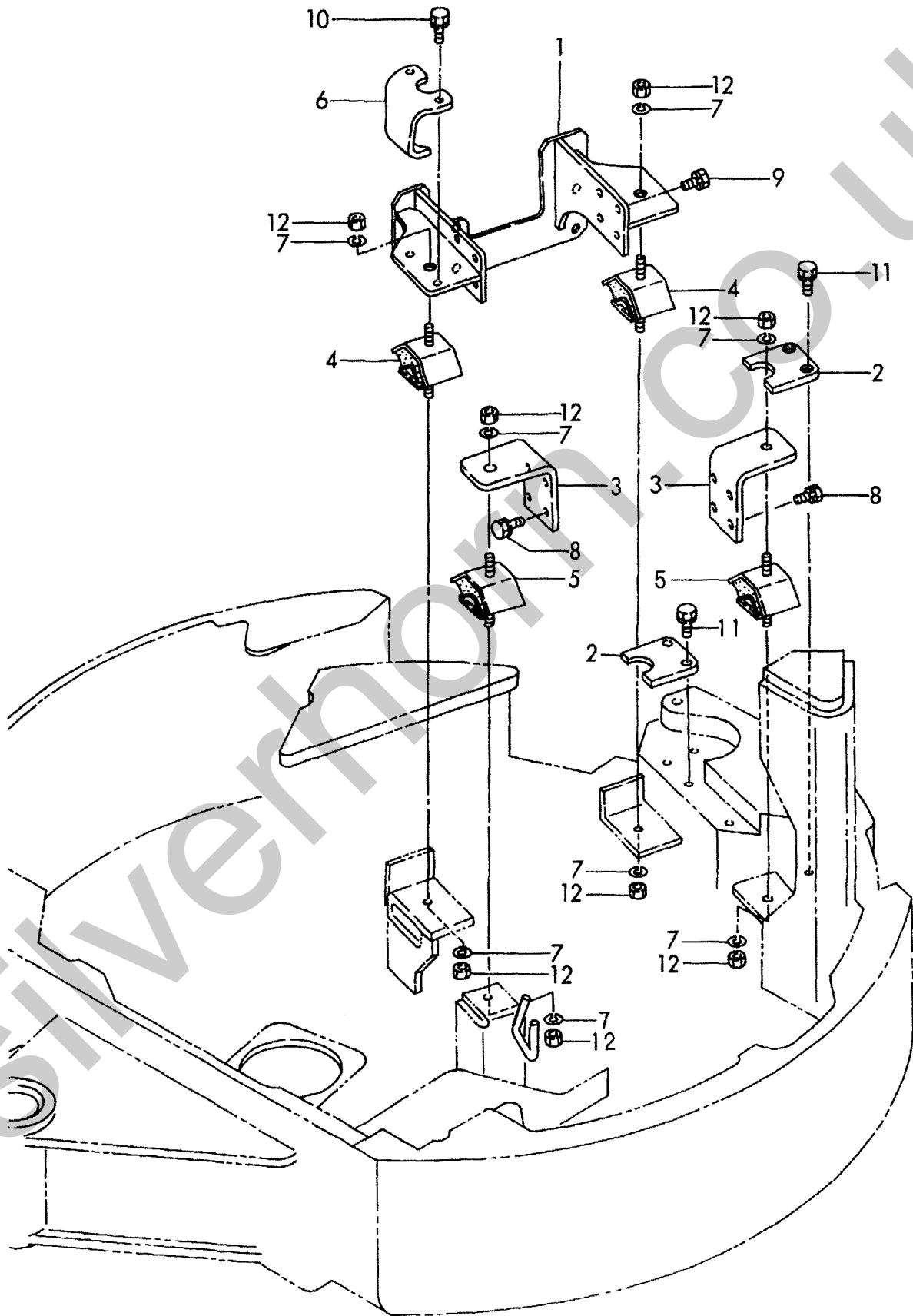
Fig. 7 アクセル (ワンタッチデセル)
ACCELERATOR (ONE TOUCH DECEL)



1,1,,172183-13100,, "MOUNT COMP.,ENGINE",1,1,,,,,,,,,,,,,
2,1,,172157-13150-4,, "PLATE,STOPPER",2,2,,,,,,,,,,,,,
3,1,,172183-13150,, "MOUNT,ENGINE",2,2,,,,,,,,,,,,,
4,1,,172137-13180,, "ABSORBER, SHOCK",2,2,,,,,,,,,,,,,
5,1,,172179-13210,, CUSHION,2,2,,,,,,,,,,,,,
6,1,,172183-13250,, "STOPPER,ENGINE",1,1,,,,,,,,,,,,,
7,1,,22217-100000,, "SPRING WASHER 10",8,8,,,,,,,,,,,,,
8,1,,26013-100252,, "BOLT W/WASHER M10X25",8,8,,,,,,,,,,,,,
9,1,,26013-100252,, "BOLT W/WASHER M10X25",8,8,,,,,,,,,,,,,
10,1,,26013-100252,, "BOLT W/WASHER M10X25",2,2,,,,,,,,,,,,,
11,1,,26013-100302,, "BOLT M10X 30",4,4,,,,,,,,,,,,,
12,1,,26716-100002,, "NUT 10",8,8,,,,,,,,,,,,,

Silverhorn.CO.UK

Fig. 8 エンジンマウント
ENGINE MOUNT



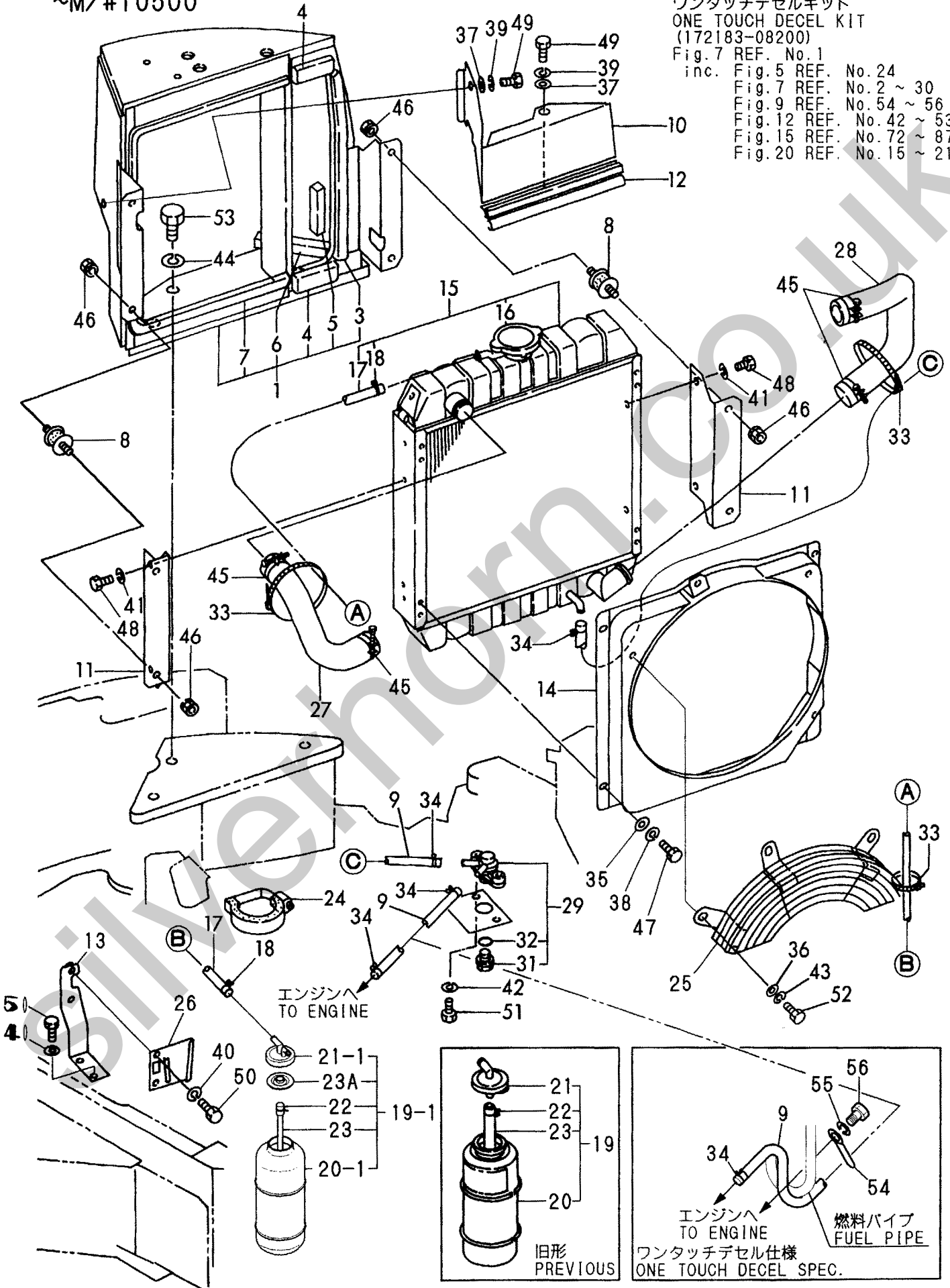
1,1,,172183-13300,, "MOUNT ASSY.,RADIATOR",1,1,,,,,,,,,,,,,,,,,
3,2,,172183-13460,, "SEAL A,RADIATOR",1,1,,,,,,,,,,,,,,,,,
4,2,,172183-13470,, "SEAL B,RADIATOR",2,2,,,,,,,,,,,,,,,,,
5,2,,172183-13490,, "SEAL D,RADIATOR",1,1,,,,,,,,,,,,,,,,,
6,2,,172183-13510,, "SEAL C,RADIATOR",1,1,,,,,,,,,,,,,,,,,
7,2,,172183-65530,, "RUBBER 815,SEAL",1,1,,,,,,,,,,,,,,,,,
8,1,,172122-13310,, "MOUNT, RADIATOR",4,4,,,,,,,,,,,,,,,,,
9,1,,172122-13410,, "HOSE(B), WATER DRAIN",2,,,,,,,,,,,,,,,,,
9-1,1,,1E6511-03220,, "HOSE B, FUEL",2,2,,,,,N,72146294,M/#00840,,,,,,,,,
10,1,,172183-13430,, "PLATE J,SEAL",1,1,,,,,,,,,,,,,,,,,
11,1,,172183-13440,, "BRACKET C",2,2,,,,,,,,,,,,,,,,,
12,1,,172183-13480,, "RUBBER,SEAL",1,1,,,,,,,,,,,,,,,,,
13,1,,172183-13550,, "BRACKET COMPL.",1,1,,,,,,,,,,,,,,,,,
14,1,,172183-13600,, "SHROUD COMPL.",1,1,,,,,,,,,,,,,,,,,
15,1,,119233-44510,, "RADIATOR",1,1,,,,,,,,,,,,,,,,,
16,2,,124450-44590,, "CAP, RADIATOR",1,1,,,,,,,,,,,,,,,,,
17,2,,124738-49150,, "PIPE, WATER DRAIN",1,1,,,,,,,,,,,,,,,,,
18,2,,121250-44590,, "CLAMP",2,2,,,,,,,,,,,,,,,,,
19,1,,121450-44510,, "SUB RESERVOIR ASSY",1,1,,,,,,,,,,,,,,,,,
19-1,1,,119813-44510,, "SUB-TANK
ASSY",1,1,,,,,N,72421031,M/#02556,72421031,M/#02556,,,,,,,,,
20,2,,121450-44520,, "BODY,SUB-TANK",1,1,,,,,,,,,,,,,,,,,
20-1,2,,119813-13520,, "BODY,SUB-
TANK",1,1,,,,,S,72421031,M/#02556,72421031,M/#02556,,,,,,,,,
21,2,,121450-44530,, "CAP, RESERVOIR TANK",1,1,,,,,,,,,,,,,,,,,
21-1,2,,121450-44531,, "CAP",1,1,,,,,S,72421031,M/#02556,72421031,M/#02556,,,,,,,,,
22,2,,124450-44560,, "CLAMP",1,1,,,,,,,,,,,,,,,,,
23,2,,23065-070180,, "PIPE 7X 180",1,1,,,,,,,,,,,,,,,,,
23A,2,,121470-
44581,, "GASKET",1,1,,,,,W,72421031,M/#02556,72421031,M/#02556,,,,,,,,,
24,1,,124450-44550,, "CLAMP, SUB-TANK",1,1,,,,,,,,,,,,,,,,,
25,1,,119233-44600,, "WIRE-NET, FAN",1,,,,,,,,,,,,,,,,,
25-1,1,,119233-44601,, "WIRE NET, FAN",1,1,,,,,N,72183161,M/#01475,,,,,,,,,
26,1,,121256-44600,, "BRACKET, SUB-TANK",1,1,,,,,,,,,,,,,,,,,
27,1,,119233-49010,, "TUBE A, WATER",1,1,,,,,,,,,,,,,,,,,
28,1,,119253-49020,, "TUBE B, WATER",1,1,,,,,,,,,,,,,,,,,
29,1,,121450-49110,, "COCK ASSY, 3-WAY",1,1,,,,,,,,,,,,,,,,,
31,2,,121250-49121,, "PLUG",1,1,,,,,,,,,,,,,,,,,
32,2,,24311-000160,, "O-RING 1A P-16.0",1,1,,,,,,,,,,,,,,,,,
33,1,,194202-56460,, "BAND",3,3,,,,,,,,,,,,,,,,,
34,1,,124766-59050,, "CLAMP 12",4,4,,,,,,,,,,,,,,,,,
35,1,,22137-060000,, "WASHER 6, POLISHED",4,4,,,,,,,,,,,,,,,,,
36,1,,22137-080000,, "WASHER 8, POLISHED",3,3,,,,,,,,,,,,,,,,,
37,1,,22137-080000,, "WASHER 8, POLISHED",2,2,,,,,,,,,,,,,,,,,
38,1,,22217-060000,, "SPRING WASHER 6",4,4,,,,,,,,,,,,,,,,,
39,1,,22217-080000,, "SPRING WASHER 8",2,2,,,,,,,,,,,,,,,,,
40,1,,22217-080000,, "SPRING WASHER 8",4,4,,,,,,,,,,,,,,,,,
41,1,,22217-080000,, "SPRING WASHER 8",4,4,,,,,,,,,,,,,,,,,
42,1,,22217-080000,, "SPRING WASHER 8",2,2,,,,,,,,,,,,,,,,,
43,1,,22217-080000,, "SPRING WASHER 8",3,3,,,,,,,,,,,,,,,,,
44,1,,22217-160000,, "SPRING WASHER 16",3,3,,,,,,,,,,,,,,,,,
45,1,,23010-038000,, "CLAMP 38",4,4,,,,,,,,,,,,,,,,,
46,1,,26051-080002,, "NUT M 8",8,8,,,,,,,,,,,,,,,,,
47,1,,26116-060122,, "BOLT 6X12",4,4,,,,,,,,,,,,,,,,,
48,1,,26116-080122,, "BOLT M 8X 12 PLATED",4,4,,,,,,,,,,,,,,,,,
49,1,,26116-080162,, "BOLT 8X16",2,2,,,,,,,,,,,,,,,,,
50,1,,26116-080162,, "BOLT 8X16",4,4,,,,,,,,,,,,,,,,,
51,1,,26116-080202,, "BOLT M 8X 20 PLATED",2,2,,,,,,,,,,,,,,,,,
52,1,,26116-080162,, "BOLT 8X16",3,3,,,,,,,,,,,,,,,,,
53,1,,26116-160402,, "BOLT M16X 40 PLATED",3,3,,,,,,,,,,,,,,,,,
54,1,,172126-16540,, "CLAMP 10X70",1,,,,,1,,,,,,,,,,,,,,,,,
55,1,,22217-100000,, "SPRING WASHER 10",1,,,,,1,,,,,,,,,,,,,,,,,
56,1,,26116-100162,, "BOLT M10X 16 PLATED",1,,,,,1,,,,,,,,,,,,,,,,

Fig. 9 ラジエータ&マウント (旧形) RADIATOR & MOUNT (PREVIOUS)

~M/#10500

ワンタッチデセルキット
ONE TOUCH DECEL KIT
(172183-08200)

- Fig.7 REF. No.1
inc. Fig.5 REF. No.24
Fig.7 REF. No.2 ~ 30
Fig.9 REF. No.54 ~ 56
Fig.12 REF. No.42 ~ 53
Fig.15 REF. No.72 ~ 87
Fig.20 REF. No.15 ~ 21



エンジンへ
TO ENGINE

エンジンへ
TO ENGINE

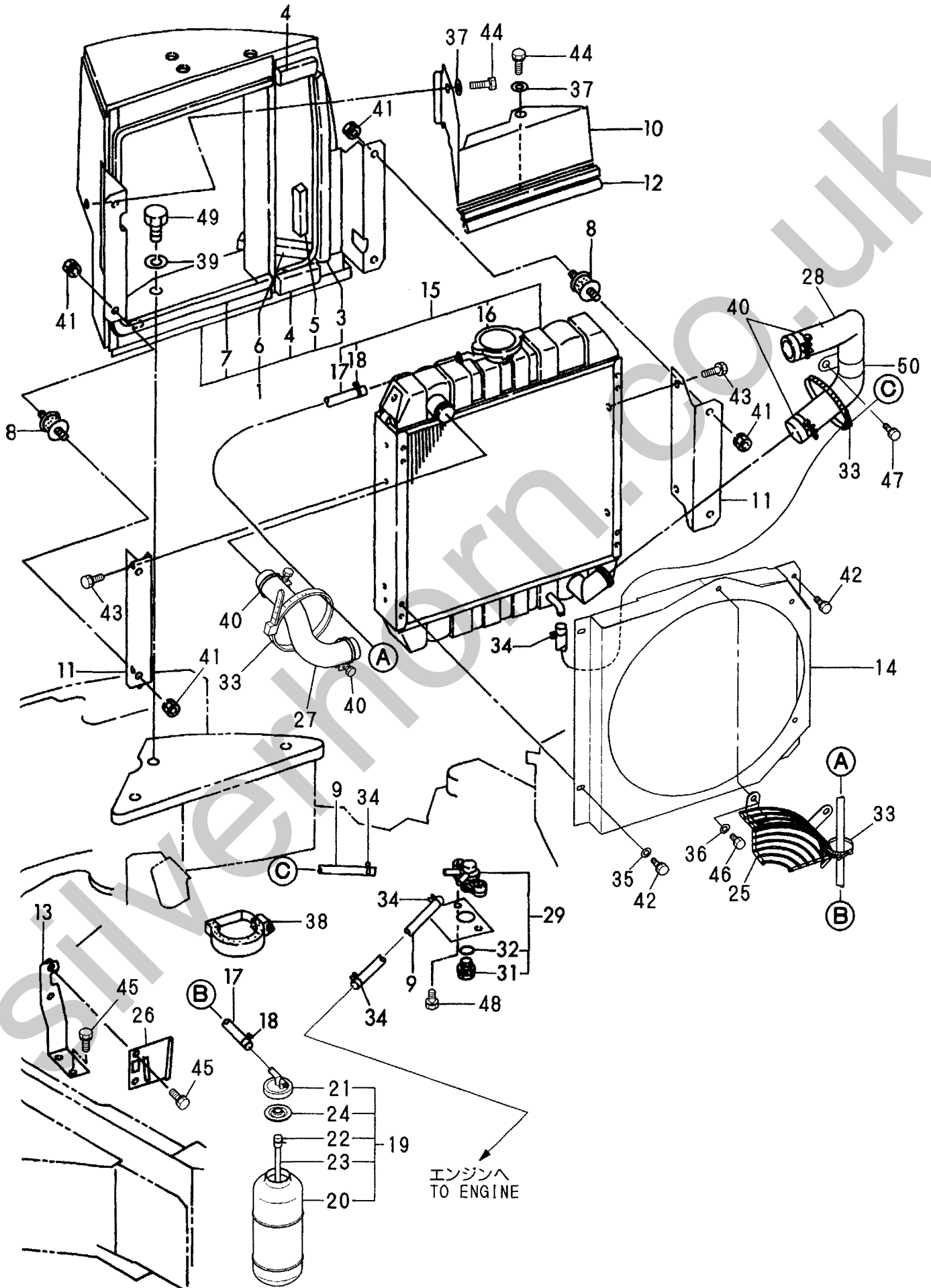
燃料パイプ
FUEL PIPE

旧形
PREVIOUS

ワンタッチデセル仕様
ONE TOUCH DECEL SPEC.

1,1,,172183-13300,, "MOUNT ASSY.,RADIATOR",1,1,,,,,,,,,,,,,,,,,,,,,
3,2,,172183-13460,, "SEAL A,RADIATOR",1,1,,,,,,,,,,,,,,,,,,,,,
4,2,,172183-13470,, "SEAL B,RADIATOR",2,2,,,,,,,,,,,,,,,,,,,,,
5,2,,172183-13490,, "SEAL D,RADIATOR",1,1,,,,,,,,,,,,,,,,,,,,,
6,2,,172183-13510,, "SEAL C,RADIATOR",1,1,,,,,,,,,,,,,,,,,,,,,
7,2,,172183-65530,, "RUBBER 815,SEAL",1,1,,,,,,,,,,,,,,,,,,,,,
8,1,,172122-13310,, "MOUNT, RADIATOR",4,4,,,,,,,,,,,,,,,,,,,,,
9,1,,1E6511-03220,, "HOSE B, FUEL",2,2,,,,,,,,,,,,,,,,,,,,,
10,1,,172183-13430,, "PLATE J,SEAL",1,1,,,,,,,,,,,,,,,,,,,,,
11,1,,172183-13440,, "BRACKET C",2,2,,,,,,,,,,,,,,,,,,,,,
12,1,,172183-13480,, "RUBBER,SEAL",1,1,,,,,,,,,,,,,,,,,,,,,
13,1,,172183-13550,, "BRACKET COMPL.",1,1,,,,,,,,,,,,,,,,,,,,,
14,1,,172421-13600,, "SHROUD ASSY.",1,1,,,,,,,,,,,,,,,,,,,,,
15,1,,119233-44510,,RADIATOR,1,1,,,,,,,,,,,,,,,,,,,,,
16,2,,124450-44590,, "CAP, RADIATOR",1,1,,,,,,,,,,,,,,,,,,,,,
17,2,,124738-49150,, "PIPE, WATER DRAIN",1,1,,,,,,,,,,,,,,,,,,,,,
18,2,,121250-44590,,CLAMP,2,2,,,,,,,,,,,,,,,,,,,,,
19,1,,119813-44510,, "SUB-TANK ASSY",1,1,,,,,,,,,,,,,,,,,,,,,
20,2,,119813-13520,, "BODY, SUB-TANK",1,1,,,,,,,,,,,,,,,,,,,,,
21,2,,121450-44531,,CAP,1,1,,,,,,,,,,,,,,,,,,,,,
22,2,,124450-44560,,CLAMP,1,1,,,,,,,,,,,,,,,,,,,,,
23,2,,23065-070180,, "PIPE 7X 180",1,1,,,,,,,,,,,,,,,,,,,,,
24,2,,121470-44581,,GASKET,1,1,,,,,,,,,,,,,,,,,,,,,
25,1,,172421-13550,, "WIRE NET, FAN",1,1,,,,,,,,,,,,,,,,,,,,,
26,1,,121256-44600,, "BRACKET, SUB-TANK",1,1,,,,,,,,,,,,,,,,,,,,,
27,1,,119233-49010,, "TUBE A, WATER",1,1,,,,,,,,,,,,,,,,,,,,,
28,1,,172421-13190,, "PIPE, C.W.",1,1,,,,,,,,,,,,,,,,,,,,,
29,1,,121450-49110,, "COCK ASSY, 3-WAY",1,1,,,,,,,,,,,,,,,,,,,,,
31,2,,121250-49121,,PLUG,1,1,,,,,,,,,,,,,,,,,,,,,
32,2,,24311-000160,, "O-RING 1A P-16.0",1,1,,,,,,,,,,,,,,,,,,,,,
33,1,,194202-56460,,BAND,3,3,,,,,,,,,,,,,,,,,,,,,
34,1,,124766-59050,, "CLAMP 12",4,4,,,,,,,,,,,,,,,,,,,,,
35,1,,22137-060000,, "WASHER 6, POLISHED",2,2,,,,,,,,,,,,,,,,,,,,,
36,1,,22137-080000,, "WASHER 8, POLISHED",2,2,,,,,,,,,,,,,,,,,,,,,
37,1,,22137-080000,, "WASHER 8, POLISHED",2,2,,,,,,,,,,,,,,,,,,,,,
38,1,,124450-44550,, "CLAMP, SUB-TANK",1,1,,,,,,,,,,,,,,,,,,,,,
39,1,,22217-160000,, "SPRING WASHER 16",3,3,,,,,,,,,,,,,,,,,,,,,
40,1,,23010-038000,, "CLAMP 38",4,4,,,,,,,,,,,,,,,,,,,,,
41,1,,26051-080002,, "NUT M 8",8,8,,,,,,,,,,,,,,,,,,,,,
42,1,,26013-060122,, "BOLT M 6X 12",4,4,,,,,,,,,,,,,,,,,,,,,
43,1,,26013-080122,, "BOLT M 8X 12",4,4,,,,,,,,,,,,,,,,,,,,,
44,1,,26013-080162,, "BOLT W/WASHER M8X16",2,2,,,,,,,,,,,,,,,,,,,,,
45,1,,26013-080162,, "BOLT W/WASHER M8X16",4,4,,,,,,,,,,,,,,,,,,,,,
46,1,,26013-080162,, "BOLT W/WASHER M8X16",2,2,,,,,,,,,,,,,,,,,,,,,
47,1,,26013-080162,, "BOLT W/WASHER M8X16",1,1,,,,,,,,,,,,,,,,,,,,,
48,1,,26013-080202,, "BOLT W/WASHER M8X20",2,2,,,,,,,,,,,,,,,,,,,,,
49,1,,26116-160402,, "BOLT M16X 40 PLATED",3,3,,,,,,,,,,,,,,,,,,,,,
50,1,,172122-13400,, "CLAMP,RADIATOR HOSE",1,1,,,,,,,,,,,,,,,,,,,,,

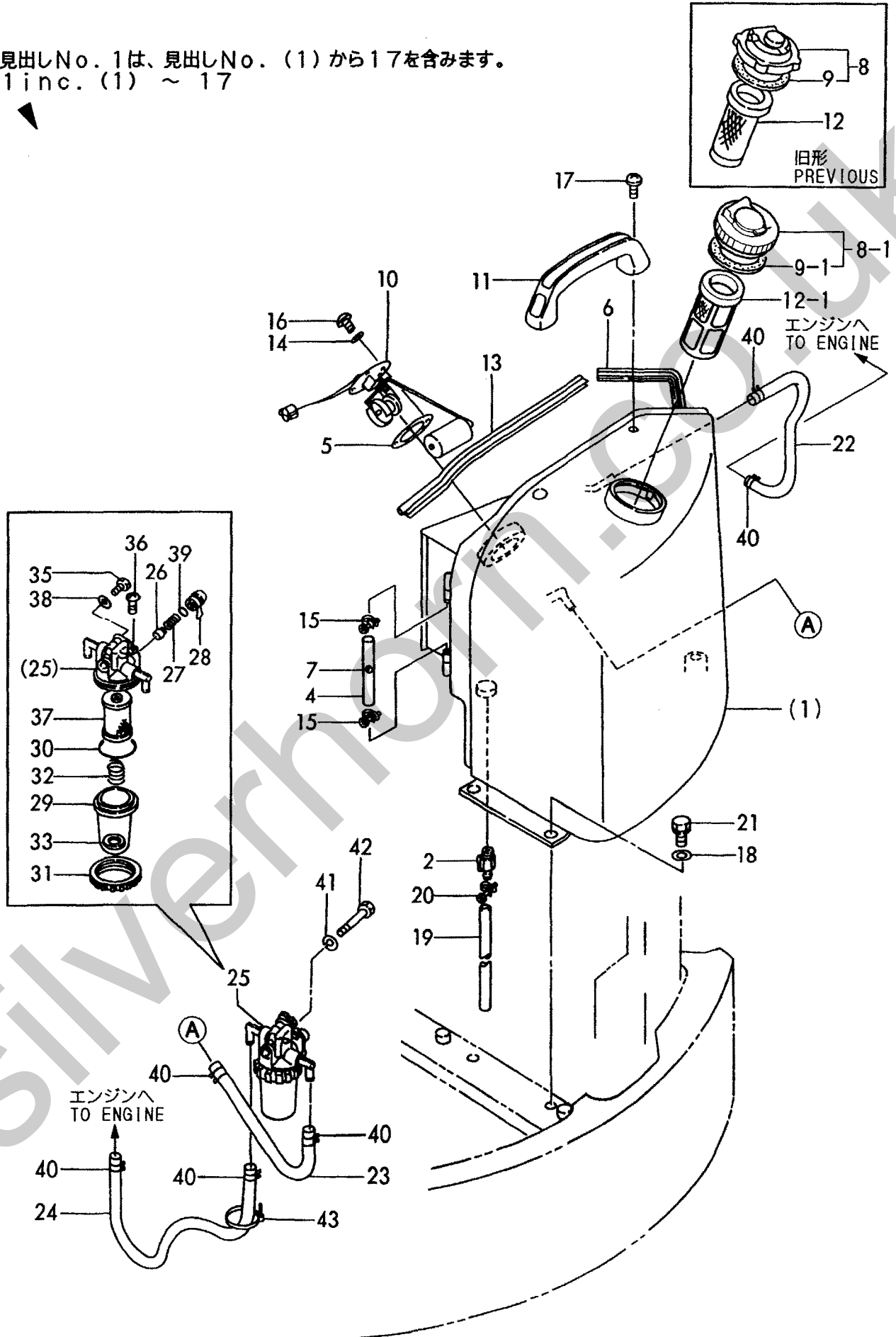
Fig. 10 ラジエータ&マウント (新形, 油圧パイロット仕様)
 RADIATOR & MOUNT (NEW, HYD. OIL PILOT SPEC.)
 M/#10501~



1,1,,772183-14100,,,"TANK ASSY.,FUEL",1,,,,,,,,,,,,,
1-1,1,,772183-14101,,,"TANK ASSY.,FUEL",1,1,,,,,S,,72183136,M/#00884,,,,,,
1-2,1,,772183-14102,,,"TANK ASSY,
FUEL",1,1,,,,,N,,72421003,M/#02515,72421003,M/#02515,,,,,,
2,2,,104200-11920,,,"COCK",1,1,,,,,,,,,,,,,
4,2,,172183-14180,,,"HOSE,FUEL GAUGE",1,,,,,,,,,,,,,
4-1,2,,172183-14181,,,"HOSE,FUEL GAUGE",1,1,,,,,N,,72168223,M/#00877,,,,,,
4-2,2,,172155-14161,,,"HOSE, FUEL
GAUGE",1,1,,,,,S,,72421003,M/#02515,72421003,M/#02515,,,,,,
5,2,,172162-14200,,,"GASKET",1,1,,,,,,,,,,,,,
6,2,,172183-14230,,,"RUBBER 450,SEAL",1,1,,,,,,,,,,,,,
7,2,,172141-14260,,,"FLOAT",1,1,,,,,,,,,,,,,
8,2,,172122-14300,,,"CAP, FUEL TANK",1,1,,,,,,,,,,,,,
8-1,2,,172122-14301,,,"CAP, FUEL
TANK",1,1,,,,,N,,72164417,M/#02097,72164417,M/#02097,,,,,,
9,3,,105430-55070,,,"GASKET",1,1,,,,,,,,,,,,,
9-1,3,,172122-
14350,,,"GASKET",1,1,,,,,S,,72164417,M/#02097,72164417,M/#02097,,,,,,
10,2,,172173-14300,,,"GAUGE UNIT,FUEL",1,1,,,,,,,,,,,,,
11,2,,172164-45980,,,"GRIP, BONNET",1,1,,,,,,,,,,,,,
12,2,,101504-55101,,,"STRAINER,FUEL INLET",1,,,,,,,,,,,,,
12-1,2,,172183-14250,,,"FILTER (FUEL",1,1,,,,,N,,72183182,M/#01712,,,,,,
13,2,,172164-66480,,,"RUBBER 340, SEAL",1,1,,,,,,,,,,,,,
14,2,,22217-050000,,,"SPRING WASHER 5",5,5,,,,,,,,,,,,,
15,2,,23010-014000,,,"CLAMP 14",2,2,,,,,,,,,,,,,
16,2,,26557-050122,,,"SCREW M 5X 12",5,5,,,,,,,,,,,,,
17,2,,26557-080162,,,"SCREW M 8X 16",2,2,,,,,,,,,,,,,
18,1,,194145-04810,,,"WASHER 10",3,3,,,,,,,,,,,,,
19,1,,172142-14320,,,"GAUGE, FUEL",1,1,,,,,,,,,,,,,
20,1,,23080-013000,,,"CLAMP 13,HOSE",1,1,,,,,,,,,,,,,
21,1,,26013-100302,,,"BOLT M10X 30",3,3,,,,,,,,,,,,,
22,1,,1E6511-03220,,,"HOSE B, FUEL",1,1,,,,,,,,,,,,,
23,1,,172124-14610,,,"HOSE L=200, FUEL",1,1,,,,,,,,,,,,,
23-1,1,,172734-14610,,,"PIPE L=200,
FUEL",1,1,,,,,R,,72157191,M/#10510,72157191,M/#10510,,,,,,
24,1,,172116-14620,,,"PIPE, FUEL",1,1,,,,,,,,,,,,,
25,1,,129335-55700,,,"SEPARATOR, WATER",1,1,,,,,,,,,,,,,
26,2,,104200-55321,,,"VALVE, TAPER",1,1,,,,,,,,,,,,,
27,2,,104200-55330,,,"SPRING, TAPER VALVE",1,1,,,,,,,,,,,,,
28,2,,104200-55341,,,"HANDLE, COCK",1,1,,,,,,,,,,,,,
29,2,,124064-55510,,,"BOWL, FUEL STRAINER",1,1,,,,,,,,,,,,,
30,2,,102103-55520,,,"O-RING",1,1,,,,,,,,,,,,,
31,2,,110250-55610,,,"RING, RETAINING",1,1,,,,,,,,,,,,,
32,2,,121257-55720,,,"SPRING, SCREEN",1,1,,,,,,,,,,,,,
33,2,,121257-55731,,,"FLOAT",1,1,,,,,,,,,,,,,
35,2,,101720-55750,,,"PLUG 6",2,2,,,,,,,,,,,,,
36,2,,104200-55750,,,"SCREW M 4",1,1,,,,,,,,,,,,,
37,2,,171081-55910,,,"SCREEN",1,1,,,,,,,,,,,,,
38,2,,23418-060000,,,"GASKET 6, NYLON",2,2,,,,,,,,,,,,,
39,2,,24311-240100,,,"O-RING 1A P-10A",1,1,,,,,,,,,,,,,
40,1,,124766-59050,,,"CLAMP 12",6,6,,,,,,,,,,,,,
41,1,,22217-080000,,,"SPRING WASHER 8",1,1,,,,,,,,,,,,,
42,1,,26116-080652,,,"BOLT M 8X 65 PLATED",1,1,,,,,,,,,,,,,
43,1,,933168-55770,,,"BAND 146",1,1,,,,,,,,,,,,,

Fig. 11 燃料タンク&燃料パイプ FUEL TANK & FUEL PIPE

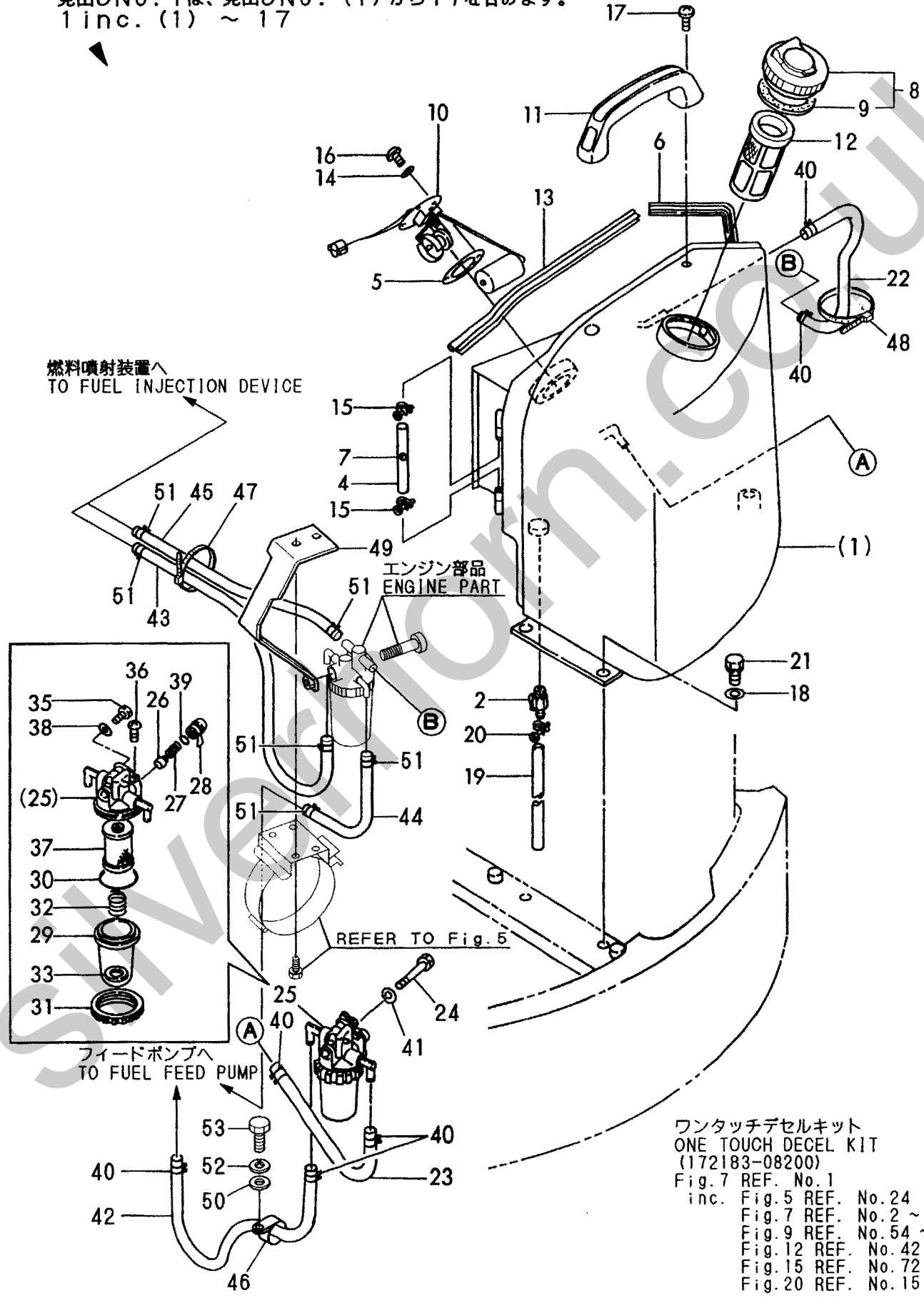
見出しNo. 1は、見出しNo. (1) から17を含みます。
inc. (1) ~ 17



1,1,,772183-14101,,,"TANK ASSY.,FUEL",1,,,,,,,,,,,,,
1-1,1,,772183-14102,,,"TANK ASSY, FUEL",1,,,,,,N,,72421003,M/#02515,,,,,,,,,
2,2,,104200-11920,,,"COCK",1,,,,,,,,,,,,,
4,2,,172183-14181,,,"HOSE,FUEL GAUGE",1,,,,,,,,,,,,,
4-1,2,,172155-14161,,,"HOSE, FUEL GAUGE",1,,,,,,S,,72421003,M/#02515,,,,,,,,,
5,2,,172162-14200,,,"GASKET",1,,,,,,,,,,,,,
6,2,,172183-14230,,,"RUBBER 450,SEAL",1,,,,,,,,,,,,,
7,2,,172141-14260,,,"FLOAT",1,,,,,,,,,,,,,
8,2,,172122-14301,,,"CAP, FUEL TANK",1,,,,,,,,,,,,,
9,3,,172122-14350,,,"GASKET",1,,,,,,,,,,,,,
10,2,,172173-14300,,,"GAUGE UNIT,FUEL",1,,,,,,,,,,,,,
11,2,,172164-45980,,,"GRIP, BONNET",1,,,,,,,,,,,,,
12,2,,172183-14250,,,"FILTER (FUEL",1,,,,,,,,,,,,,
13,2,,172164-66480,,,"RUBBER 340, SEAL",1,,,,,,,,,,,,,
14,2,,22217-050000,,,"SPRING WASHER 5",5,,,,,,,,,,,,,
15,2,,23010-014000,,,"CLAMP 14",2,,,,,,,,,,,,,
16,2,,26557-050122,,,"SCREW M 5X 12",5,,,,,,,,,,,,,
17,2,,26557-080162,,,"SCREW M 8X 16",2,,,,,,,,,,,,,
18,1,,194145-04810,,,"WASHER 10",3,,,,,,,,,,,,,
19,1,,172142-14320,,,"GAUGE, FUEL",1,,,,,,,,,,,,,
20,1,,23080-013000,,,"CLAMP 13,HOSE",1,,,,,,,,,,,,,
21,1,,26013-100302,,,"BOLT M10X 30",3,,,,,,,,,,,,,
22,1,,172116-14620,,,"PIPE,FUEL",1,,,,,,,,,,,,,
23,1,,172124-14610,,,"HOSE L=200, FUEL",1,,,,,,,,,,,,,
23-1,1,,172734-14610,,,"PIPE L=200, FUEL",1,,,,,,R,,72157191,M/#10510,,,,,,,,,
24,1,,26116-080652,,,"BOLT M 8X 65 PLATED",1,,,,,,,,,,,,,
25,1,,129335-55700,,,"SEPARATOR, WATER",1,,,,,,,,,,,,,
26,2,,104200-55321,,,"VALVE, TAPER",1,,,,,,,,,,,,,
27,2,,104200-55330,,,"SPRING, TAPER VALVE",1,,,,,,,,,,,,,
28,2,,104200-55341,,,"HANDLE, COCK",1,,,,,,,,,,,,,
29,2,,124064-55510,,,"BOWL, FUEL STRAINER",1,,,,,,,,,,,,,
30,2,,102103-55520,,,"O-RING",1,,,,,,,,,,,,,
31,2,,110250-55610,,,"RING, RETAINING",1,,,,,,,,,,,,,
32,2,,121257-55720,,,"SPRING, SCREEN",1,,,,,,,,,,,,,
33,2,,121257-55731,,,"FLOAT",1,,,,,,,,,,,,,
35,2,,101720-55750,,,"PLUG 6",2,,,,,,,,,,,,,
36,2,,104200-55750,,,"SCREW M 4",1,,,,,,,,,,,,,
37,2,,171081-55910,,,"SCREEN",1,,,,,,,,,,,,,
38,2,,23418-060000,,,"GASKET 6, NYLON",2,,,,,,,,,,,,,
39,2,,24311-240100,,,"O-RING 1A P-10A",1,,,,,,,,,,,,,
40,1,,124766-59050,,,"CLAMP 12",6,,,,,,,,,,,,,
41,1,,22217-080000,,,"SPRING WASHER 8",1,,,,,,,,,,,,,
42,1,,172116-14620,,,"PIPE, FUEL",1,,,,,,,,,,,,,
43,1,,1E6511-03220,,,"HOSE B, FUEL",1,,,,,,,,,,,,,
44,1,,172156-14631,,,"PIPE, FUEL",1,,,,,,,,,,,,,
45,1,,172183-14640,,,"HOSE",1,,,,,,,,,,,,,
46,1,,172183-14650,,,"CRAMP 26",1,,,,,,,,,,,,,
47,1,,933152-09280,,,"BAND 170",1,,,,,,,,,,,,,
48,1,,194202-56460,,,"BAND",1,,,,,,,,,,,,,
49,1,,172183-14600,,,"BRACKET",1,,,,,,,,,,,,,
50,1,,22137-100000,,,"WASHER 10,POLISHED",1,,,,,,,,,,,,,
51,1,,124766-59050,,,"CLAMP 12",6,,,,,,,,,,,,,
52,1,,22217-100000,,,"SPRING WASHER 10",1,,,,,,,,,,,,,
53,1,,26116-100162,,,"BOLT M10X 16 PLATED",1,,,,,,,,,,,,,

Fig. 12 燃料タンク&燃料パイプ (ワンタッチデセル) FUEL TANK & FUEL PIPE (ONE TOUCH DECEL)

見出しNo. 1は、見出しNo. (1) から17を含みます。
1 inc. (1) ~ 17

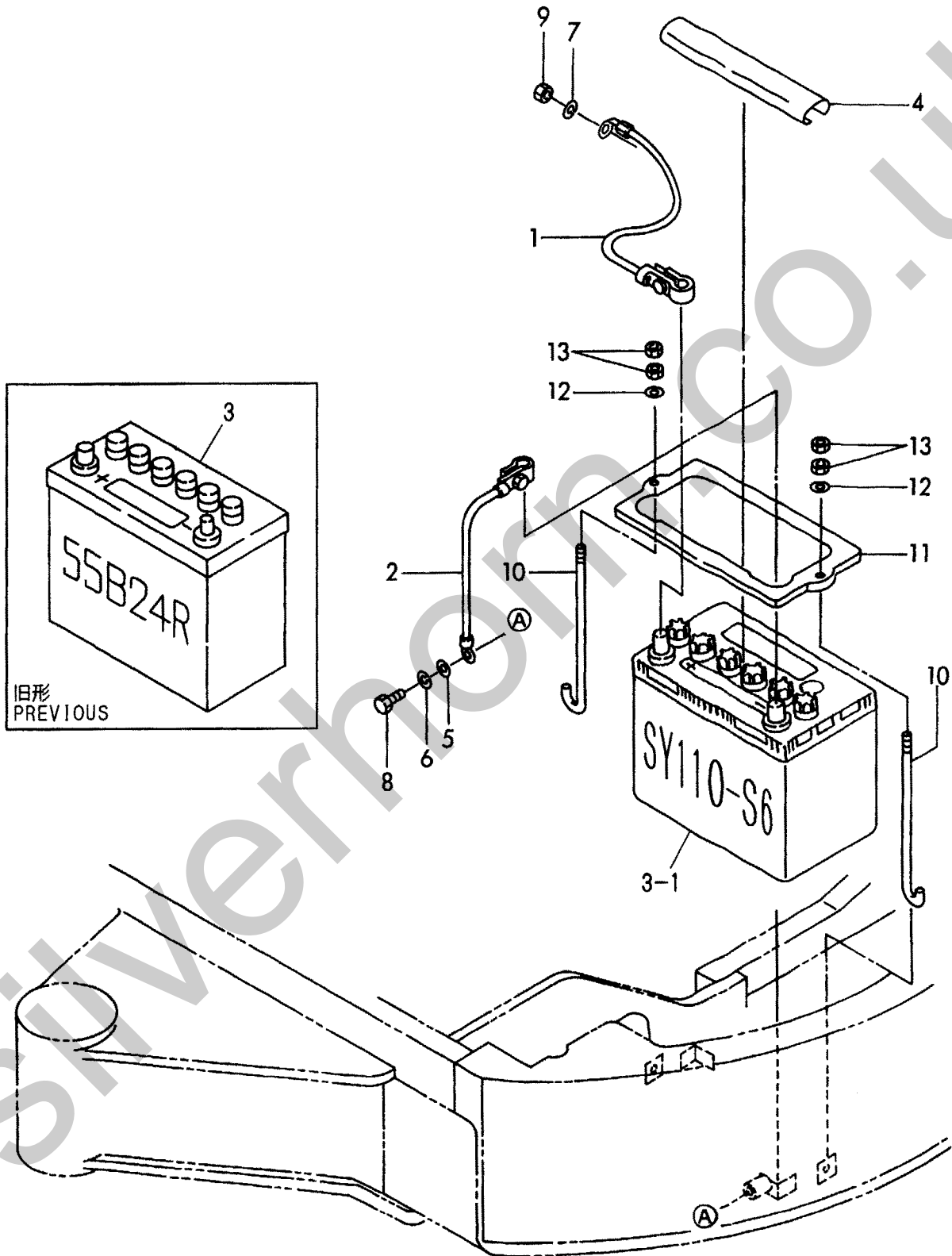


ワンタッチデセルキット
ONE TOUCH DECEL KIT
(172183-08200)
Fig.7 REF. No.1
inc. Fig.5 REF. No.24
Fig.7 REF. No.2 ~ 30
Fig.9 REF. No.54 ~ 56
Fig.12 REF. No.42 ~ 53
Fig.15 REF. No.72 ~ 87
Fig.20 REF. No.15 ~ 21

1,1,,172183-16100,, "CORD,BATTERY POSITV.",1,1,,,,,,,,,,,,,
2,1,,172149-16110,, "HARNESS, BATTERY",1,1,,,,,,,,,,,,,
3,1,,172183-16110,, "BATTERY CH55B24R",1,,,,,,,,,,,,,
3-1,1,,172175-16110,, BATTERY,1,1,,,,,R,,72183198,M/#01851,,,,,
4,1,,194440-51550,, "COVER, BATTERY",1,1,,,,,,,,,,,,,
5,1,,22137-080000,, "WASHER 8, POLISHED",1,1,,,,,,,,,,,,,
6,1,,22217-080000,, "SPRING WASHER 8",1,1,,,,,,,,,,,,,
7,1,,22217-080000,, "SPRING WASHER 8",1,1,,,,,,,,,,,,,
8,1,,26116-080162,, "BOLT 8X16",1,1,,,,,,,,,,,,,
9,1,,26716-080002,, "NUT M 8",1,1,,,,,,,,,,,,,
10,1,,172631-16350,, "ROD,BATTERY CLAMP",2,2,,,,,,,,,,,,,
11,1,,194940-64750,, "CLAMP,BATTERY",1,1,,,,,,,,,,,,,
12,1,,22157-060000,, "WASHER 6",2,2,,,,,,,,,,,,,
13,1,,26716-060002,, "NUT 6",4,4,,,,,,,,,,,,,

Silverhorn.CO.UK

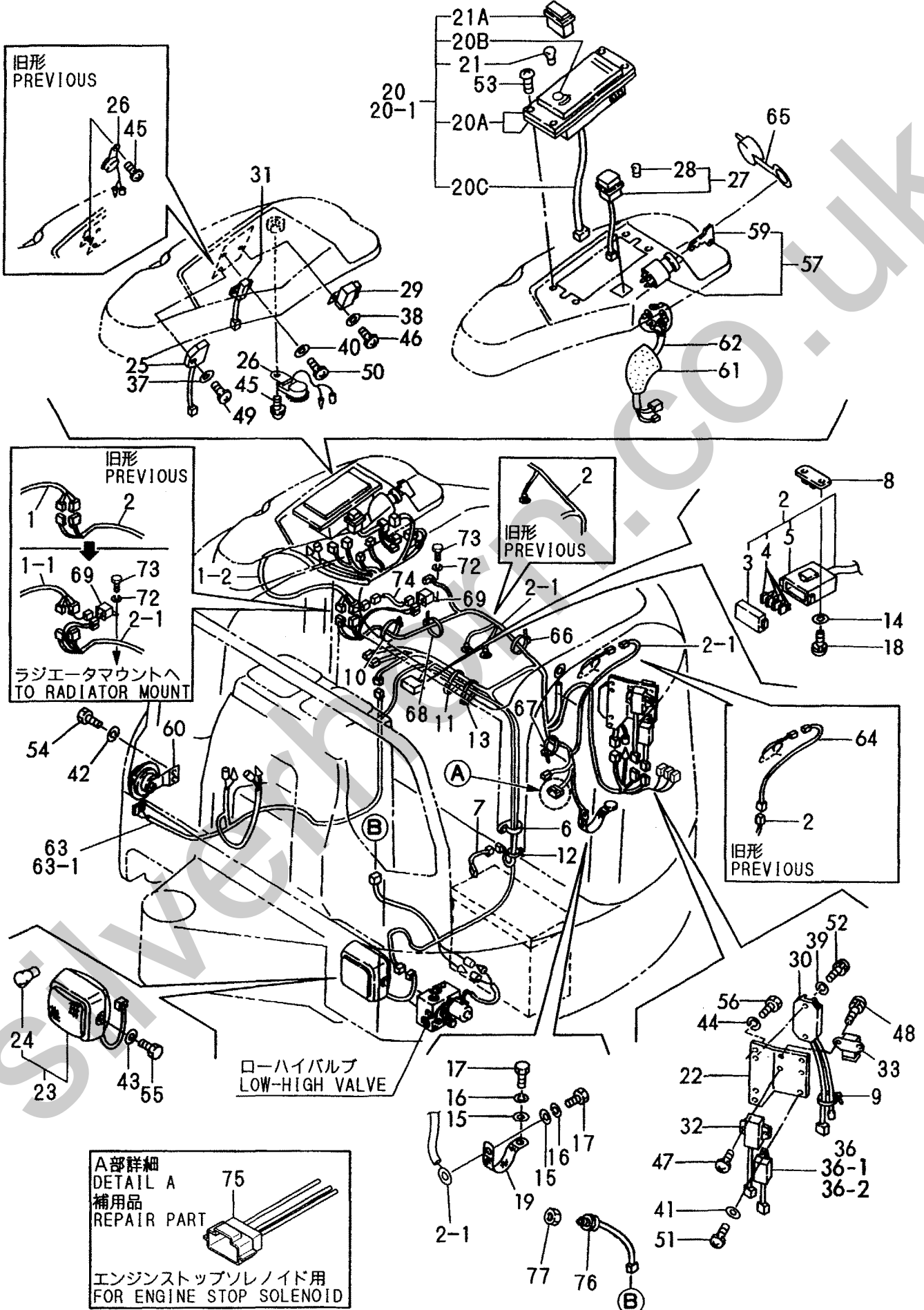
Fig. 13 バッテリ
BATTERY



1,1,,172183-16500,, "HARNESS A,WIRE",1,1,,,,,,,,,,,,,,,,,,,,,
1-1,1,,172183-16501,, "HARNESS,
WIRE",1,1,,,,,S,,72173068,M/#02012,72173068,M/#02012,,,,,
1-2,1,,172183-16502,, "HARNESS,
WIRE",1,1,,,,,F,1,72183208,M/#02100,72183208,M/#02100,,,,,
2,1,,172183-16510,, "HARNESS B,WIRE",1,1,,,,,,,,,,,,,,,,,,,,,
2-1,1,,172183-16511,, "HARNESS,
WIRE",1,1,,,,,S,,72173068,M/#02012,72173068,M/#02012,,,,,
2-2,1,,172183-16512,, "HARNESS
B,WIRE",1,1,,,,,N,,72183246,M/#15167,72183246,M/#15167,,,,,I
3,2,,172183-16590,,COVER,1,1,,,,,,,,,,,,,,,,,,,,,
4,2,,29420-150000,,HUSE,4,4,,,,,,,,,,,,,,,,,,,,,
5,2,,172183-16580,, "BODY,FUSER",1,1,,,,,,,,,,,,,,,,,,,,,
6,1,,1A1380-59480,, "CLAMP A,SM.&DYN.CORD",1,1,,,,,,,,,,,,,,,,,,,,,
7,1,,172183-16540,, "LINK,FUSIBLE",1,1,,,,,,,,,,,,,,,,,,,,,
8,1,,172183-16550,, "BRACKET,FUSE",1,1,,,,,,,,,,,,,,,,,,,,,
9,1,,194202-56460,,BAND,1,1,,,,,,,,,,,,,,,,,,,,,
10,1,,194202-56460,,BAND,1,1,,,,,,,,,,,,,,,,,,,,,
11,1,,172122-79930,, "CLAMP B",1,1,,,,,,,,,,,,,,,,,,,,,
12,1,,194202-56460,,BAND,1,1,,,,,,,,,,,,,,,,,,,,,
13,1,,172183-16560,, "CLIP 400,HOSE",1,1,,,,,,,,,,,,,,,,,,,,,
14,1,,22137-060000,, "WASHER 6, POLISHED",2,2,,,,,,,,,,,,,,,,,,,,,
15,1,,22137-100000,, "WASHER 10,POLISHED",2,2,,,,,,,,,,,,,,,,,,,,,
16,1,,22217-100000,, "SPRING WASHER 10",2,2,,,,,,,,,,,,,,,,,,,,,
17,1,,26116-100162,, "BOLT M10X 16 PLATED",2,2,,,,,,,,,,,,,,,,,,,,,
18,1,,26557-060122,, "SCREW M 6X 12,PAN HD",2,2,,,,,,,,,,,,,,,,,,,,,
19,1,,933171-15801,, "WIRE, EARTH",1,1,,,,,,,,,,,,,,,,,,,,,
20,1,,172162-17100,, "BOX ASSY, INDICATOR",1,1,,,,,,,,,,,,,,,,,,,,,
20-1,1,,172162-17101,, "BOX ASSY,
INDICATOR",1,1,,,,,N,,72162464,M/#00501,,,,,,,,,,,,,
20A,2,,172162-17270,, "COVER, FRONT",1,1,,,,,W,,72176188,M/#01721,,,,,,,,,,,,,
20B,2,,172162-17240,, "METER ASSY, FUEL",1,1,,,,,W,,72162475,M/#01721,,,,,,,,,,,,,
20C,2,,172162-17250,,HARNESS,1,1,,,,,W,,72162475,M/#01721,,,,,,,,,,,,,
21,2,,172162-17120,,VALVE,4,4,,,,,,,,,,,,,,,,,,,,,
21A,2,,172162-17130,,HOURMETER,1,1,,,,,W,,72162464,M/#00501,,,,,,,,,,,,,
22,1,,172183-17100,, "BRACKET COMPL.",1,1,,,,,,,,,,,,,,,,,,,,,
23,1,,172183-17120,, "LAMP,HEAD",1,1,,,,,,,,,,,,,,,,,,,,,
24,2,,172156-17420,, "BULB 12V-27W",1,1,,,,,,,,,,,,,,,,,,,,,
25,1,,172141-17141,, "UNIT, CHECKER",1,1,,,,,,,,,,,,,,,,,,,,,
26,1,,172141-17150,,BUZZER,1,1,,,,,,,,,,,,,,,,,,,,,
27,1,,172141-17190,, "SWITCH, WORK LAMP",1,1,,,,,,,,,,,,,,,,,,,,,
28,2,,172141-17230,, "BULB 24V- 6W",1,1,,,,,,,,,,,,,,,,,,,,,
29,1,,119247-77100,, "RELAY, SAFETY",1,1,,,,,,,,,,,,,,,,,,,,,
30,1,,119640-77711,, "LIMITER,CURRENT",1,1,,,,,,,,,,,,,,,,,,,,,
31,1,,121522-77721,, "INDICATOR, CHARGING",1,1,,,,,,,,,,,,,,,,,,,,,
32,1,,129155-77810,,RESISTOR,1,1,,,,,,,,,,,,,,,,,,,,,
33,1,,119650-77910,, "RELAY, GROW",1,1,,,,,,,,,,,,,,,,,,,,,
36,1,,119632-77920,,TIMER,1,,,,,,,,,,,,,,,,,,,,,
36-1,1,,119632-77921,, "TIMER(1 SEC.",1,,,,,N,,72175176,M/#01217,,,,,,,,,,,,,
36-2,1,,119632-77922,,TIMER,1,1,,,,,N,,72175204,M/#01703,,,,,,,,,,,,,
37,1,,22137-060000,, "WASHER 6, POLISHED",1,1,,,,,,,,,,,,,,,,,,,,,
38,1,,22137-060000,, "WASHER 6, POLISHED",1,1,,,,,,,,,,,,,,,,,,,,,
39,1,,22137-060000,, "WASHER 6, POLISHED",2,2,,,,,,,,,,,,,,,,,,,,,
40,1,,22137-060000,, "WASHER 6, POLISHED",1,1,,,,,,,,,,,,,,,,,,,,,
41,1,,22137-060000,, "WASHER 6, POLISHED",1,1,,,,,,,,,,,,,,,,,,,,,
42,1,,22217-060000,, "SPRING WASHER 6",2,2,,,,,,,,,,,,,,,,,,,,,
43,1,,22217-060000,, "SPRING WASHER 6",2,2,,,,,,,,,,,,,,,,,,,,,
44,1,,22217-080000,, "SPRING WASHER 8",2,2,,,,,,,,,,,,,,,,,,,,,
45,1,,26022-060122,, "SCREW M 6X 12",1,1,,,,,,,,,,,,,,,,,,,,,
46,1,,26022-060162,, "SCREW M 6X 16",1,1,,,,,,,,,,,,,,,,,,,,,
47,1,,26022-060122,, "SCREW M 6X 12",2,2,,,,,,,,,,,,,,,,,,,,,
48,1,,26022-060122,, "SCREW M 6X 12",2,2,,,,,,,,,,,,,,,,,,,,,
49,1,,26022-060162,, "SCREW M 6X 16",1,1,,,,,,,,,,,,,,,,,,,,,

50,1,,26022-060122,, "SCREW M 6X 12",1,1,,,,,,,,,,,,,
51,1,,26022-060162,, "SCREW M 6X 16",1,1,,,,,,,,,,,,,
52,1,,26022-060252,, "SCREW M 6X 25",2,2,,,,,,,,,,,,,
53,1,,26589-040202,, "SCREW M4,BINDING",4,4,,,,,,,,,,,,,
54,1,,26116-060162,, "BOLT 6X16",2,2,,,,,,,,,,,,,
55,1,,26116-060162,, "BOLT 6X16",2,2,,,,,,,,,,,,,
56,1,,26116-080162,, "BOLT 8X16",2,2,,,,,,,,,,,,,
57,1,,933110-00100,, "SWITCH ASSY, STARTER",1,1,,,,,,,,,,,,,
59,2,,933110-00301,, "KEY ASSY",1,1,,,,,,,,,,,,,
60,1,,933110-05300,, "HORN",1,1,,,,,,,,,,,,,
60-1,1,,933110-05301,, "HORN",1,1,,,,,N,,72422128,M/#10574,72422128,M/#10574,,,,,
61,1,,933113-15900,, "COVER, SWITCH TERMI.",1,1,,,,,,,,,,,,,
62,1,,172149-16520,, "HARNESS, STARTER",1,1,,,,,,,,,,,,,
63,1,,172183-16520,, "HARNESS C,WIRE",1,,,,,,,,,,,,,
63-1,1,,172183-16521,, "HARNESS C,WIRE",1,1,,,,,S,,72149216,M/#00735,,,,,
64,1,,172183-16530,, "HARNESS
D,WIRE",1,1,,,,,Z,,72183207,M/#02012,72183207,M/#02012,,,,,
65,1,,172183-17140,, "CAP",1,1,,,,,W,,72183143,M/#00884,,,,,
66,1,,194202-56460,, "BAND",1,1,,,,,W,,72183065,"FROM 1ST",,,,,,
67,1,,194202-56460,, "BAND",1,1,,,,,W,,72183065,"FROM 1ST",,,,,,
68,1,,194202-56460,, "BAND",1,1,,,,,W,,72183154,M/#01396,,,,,
69,1,,119650-77910,, "RELAY, GROW",1,1,,,,,W,,72173068,M/#02012,,,,,
72,1,,22217-060000,, "SPRING WASHER 6",2,2,,,,,W,,72173068,M/#02012,,,,,
73,1,,26116-060162,, "BOLT 6X16",2,2,,,,,W,,72173068,M/#02012,,,,,
74,1,,172183-16620,, "HARNESS, WIRE",1,1,,,,,W,,72183208,M/#02100,,,,,
75,1,,172183-16900,, "CONNECTOR(SOLENOID",1,1,,,,,W,2,72183213,"FROM 1ST",,,,,,
76,1,,172164-17140,, "SWITCH",1,1,,,,,,,,,,,,,
77,1,,26776-160002,, "LOCK NUT M16 PLATED",1,1,,,,,,,,,,,,,

Fig. 14 電装品
ELECTRIC PART



1,1,,172183-16500,, "HARNES A,WIRE",1,,,,,,,,,,,,,,,,,,,,,
1-1,1,,172183-16501,, "HARNES, WIRE",1,,,,,S,,72173068,M/#02012,,,,,
1-2,1,,172183-16502,, "HARNES, WIRE",1,,,,,F,1,72183208,M/#02100,,,,,
2,1,,172183-16510,, "HARNES B,WIRE",1,,,,,,,,,,,,,,,,,,,,,
2-1,1,,172183-16511,, "HARNES B,WIRE",1,,,,,S,,72173068,M/#02012,,,,,
2-2,1,,172183-16512,, "HARNES B,WIRE",1,,,,,N,,72183246,M/#15167,,,,,I
3,2,,172183-16590,, COVER,1,,,,,,,,,,,,,,,,,,,,,
4,2,,29420-150000,, HUSE,4,,,,,,,,,,,,,,,,,,,,,
5,2,,172183-16580,, "BODY,FUSER",1,,,,,,,,,,,,,,,,,,,,,
6,1,,1A1380-59480,, "CLAMP A,SM.&DYN.CORD",1,,,,,,,,,,,,,,,,,,,,,
7,1,,172183-16540,, "LINK,FUSIBLE",1,,,,,,,,,,,,,,,,,,,,,
8,1,,172183-16550,, "BRACKET,FUSE",1,,,,,,,,,,,,,,,,,,,,,
9,1,,194202-56460,, BAND,1,,,,,,,,,,,,,,,,,,,,,
10,1,,194202-56460,, BAND,1,,,,,,,,,,,,,,,,,,,,,
11,1,,172122-79930,, "CLAMP B",1,,,,,,,,,,,,,,,,,,,,,
12,1,,194202-56460,, BAND,1,,,,,,,,,,,,,,,,,,,,,
13,1,,172183-16560,, "CLIP 400,HOSE",1,,,,,,,,,,,,,,,,,,,,,
14,1,,22137-060000,, "WASHER 6, POLISHED",2,,,,,,,,,,,,,,,,,,,,,
15,1,,22137-100000,, "WASHER 10,POLISHED",2,,,,,,,,,,,,,,,,,,,,,
16,1,,22217-100000,, "SPRING WASHER 10",2,,,,,,,,,,,,,,,,,,,,,
17,1,,26116-100162,, "BOLT M10X 16 PLATED",2,,,,,,,,,,,,,,,,,,,,,
18,1,,26557-060122,, "SCREW M 6X 12,PAN HD",2,,,,,,,,,,,,,,,,,,,,,
19,1,,933171-15801,, "WIRE, EARTH",1,,,,,,,,,,,,,,,,,,,,,
20,1,,194202-56460,, BAND,1,,,,,,,,,,,,,,,,,,,,,
21,1,,194202-56460,, BAND,1,,,,,,,,,,,,,,,,,,,,,
22,1,,172183-17100,, "BRACKET COMPL.",1,,,,,,,,,,,,,,,,,,,,,
23,1,,172183-17120,, "LAMP,HEAD",1,,,,,,,,,,,,,,,,,,,,,
24,2,,172156-17420,, "BULB 12V-27W",1,,,,,,,,,,,,,,,,,,,,,
25,1,,172141-17141,, "UNIT, CHECKER",1,,,,,,,,,,,,,,,,,,,,,
26,1,,172141-17150,, BUZZER,1,,,,,,,,,,,,,,,,,,,,,
27,1,,172141-17190,, "SWITCH, WORK LAMP",1,,,,,,,,,,,,,,,,,,,,,
28,2,,172141-17230,, "BULB 24V- 6W",1,,,,,,,,,,,,,,,,,,,,,
29,1,,119247-77100,, "RELAY, SAFETY",1,,,,,,,,,,,,,,,,,,,,,
30,1,,119640-77711,, "LIMITER,CURRENT",1,,,,,,,,,,,,,,,,,,,,,
31,1,,121522-77721,, "INDICATOR, CHARGING",1,,,,,,,,,,,,,,,,,,,,,
32,1,,129155-77810,, RESISTOR,1,,,,,,,,,,,,,,,,,,,,,
33,1,,119650-77910,, "RELAY, GROW",1,,,,,,,,,,,,,,,,,,,,,
36,1,,119632-77922,, TIMER,1,,,,,,,,,,,,,,,,,,,,,
37,1,,22137-060000,, "WASHER 6, POLISHED",1,,,,,,,,,,,,,,,,,,,,,
38,1,,22137-060000,, "WASHER 6, POLISHED",1,,,,,,,,,,,,,,,,,,,,,
39,1,,22137-060000,, "WASHER 6, POLISHED",2,,,,,,,,,,,,,,,,,,,,,
40,1,,22137-060000,, "WASHER 6, POLISHED",1,,,,,,,,,,,,,,,,,,,,,
41,1,,22137-060000,, "WASHER 6, POLISHED",1,,,,,,,,,,,,,,,,,,,,,
42,1,,22217-060000,, "SPRING WASHER 6",2,,,,,,,,,,,,,,,,,,,,,
43,1,,22217-060000,, "SPRING WASHER 6",2,,,,,,,,,,,,,,,,,,,,,
44,1,,22217-080000,, "SPRING WASHER 8",2,,,,,,,,,,,,,,,,,,,,,
45,1,,26022-060122,, "SCREW M 6X 12",1,,,,,,,,,,,,,,,,,,,,,
46,1,,26022-060162,, "SCREW M 6X 16",1,,,,,,,,,,,,,,,,,,,,,
47,1,,26022-060122,, "SCREW M 6X 12",2,,,,,,,,,,,,,,,,,,,,,
48,1,,26022-060122,, "SCREW M 6X 12",2,,,,,,,,,,,,,,,,,,,,,
49,1,,26022-060162,, "SCREW M 6X 16",1,,,,,,,,,,,,,,,,,,,,,
50,1,,26022-060122,, "SCREW M 6X 12",1,,,,,,,,,,,,,,,,,,,,,
51,1,,26022-060162,, "SCREW M 6X 16",1,,,,,,,,,,,,,,,,,,,,,
52,1,,26022-060252,, "SCREW M 6X 25",2,,,,,,,,,,,,,,,,,,,,,
53,1,,194202-56460,, BAND,1,,,,,,,,,,,,,,,,,,,,,
54,1,,26116-060162,, "BOLT 6X16",2,,,,,,,,,,,,,,,,,,,,,
55,1,,26116-060162,, "BOLT 6X16",2,,,,,,,,,,,,,,,,,,,,,
56,1,,26116-080162,, "BOLT 8X16",2,,,,,,,,,,,,,,,,,,,,,
57,1,,933110-00100,, "SWITCH ASSY, STARTER",1,,,,,,,,,,,,,,,,,,,,,
59,2,,933110-00301,, "KEY ASSY",1,,,,,,,,,,,,,,,,,,,,,
60,1,,933110-05300,, HORN,1,,,,,,,,,,,,,,,,,,,,,
60-1,1,,933110-05301,, HORN,1,,,,,N,,72422128,M/#10574,,,,,
61,1,,933113-15900,, "COVER, SWITCH TERMI.",1,,,,,,,,,,,,,,,,,,,,,

62,1,,172149-16520,, "HARNESS, STARTER",1,,,,,,,,,,,,,
 63,1,,172183-16521,, "HARNESS C,WIRE",1,,,,,,,,,,,,,
 64,1,,172183-16530,, "HARNESS D,WIRE",1,,,,,,Z,,72183207,M/#02012,,,,,,
 65,1,,172183-17140,, CAP,1,,,,,,,,,,,,,
 66,1,,119650-77910,, "RELAY, GROW",1,,,,,,W,,72173068,M/#02012,,,,,,
 69,1,,22217-060000,, "SPRING WASHER 6",2,,,,,,W,,72173068,M/#02012,,,,,,
 70,1,,26116-060162,, "BOLT 6X16",2,,,,,,W,,72173068,M/#02012,,,,,,
 71,1,,172183-16620,, "HARNESS, WIRE",1,,,,,,W,,72183208,M/#02100,,,,,,
 72,1,,26589-040202,, "SCREW M4,BINDING",4,,,,,,,,,,,,,
 73,1,,26022-060252,, "SCREW M 6X 25",2,,,,,,,,,,,,,
 74,1,,172183-16650,, "HARNESS,DECEL",1,,,,,,,,,,,,,
 75,1,,194440-51620,, "CLAMP, WIRE HARNESS",2,,,,,,,,,,,,,
 76,1,,933152-09280,, "BAND 170",7,,,,,,,,,,,,,
 77,1,,172162-17180,, SOLENOID,1,,,,,,,,,,,,,
 78,1,,172183-17200,, BRACKET,1,,,,,,,,,,,,,
 79,1,,172190-17220,, "RELEY, TIMER",1,,,,,,,,,,,,,
 80,1,,26013-060162,, "BOLT M 6X 16",2,,,,,,,,,,,,,
 81,1,,172176-17100,, "BOX, INDICATOR",1,,,,,,,,,,,,,
 82,2,,172162-17270,, "COVER, FRONT",1,,,,,,,,,,,,,
 83,2,,172176-17120,, "METER, FUEL",1,,,,,,,,,,,,,
 84,2,,172162-17250,, HARNESS,1,,,,,,,,,,,,,
 85,2,,172162-17120,, VALVE,5,,,,,,,,,,,,,
 86,2,,172162-17130,, HOURMETER,1,,,,,,,,,,,,,
 87,2,,172176-17130,, HARNESS,1,,,,,,,,,,,,,
 88,1,,172183-16900,, CONNECTOR(SOLENOID,1,,,,,,W,2,72183213,"FROM 1ST",,,,,,,

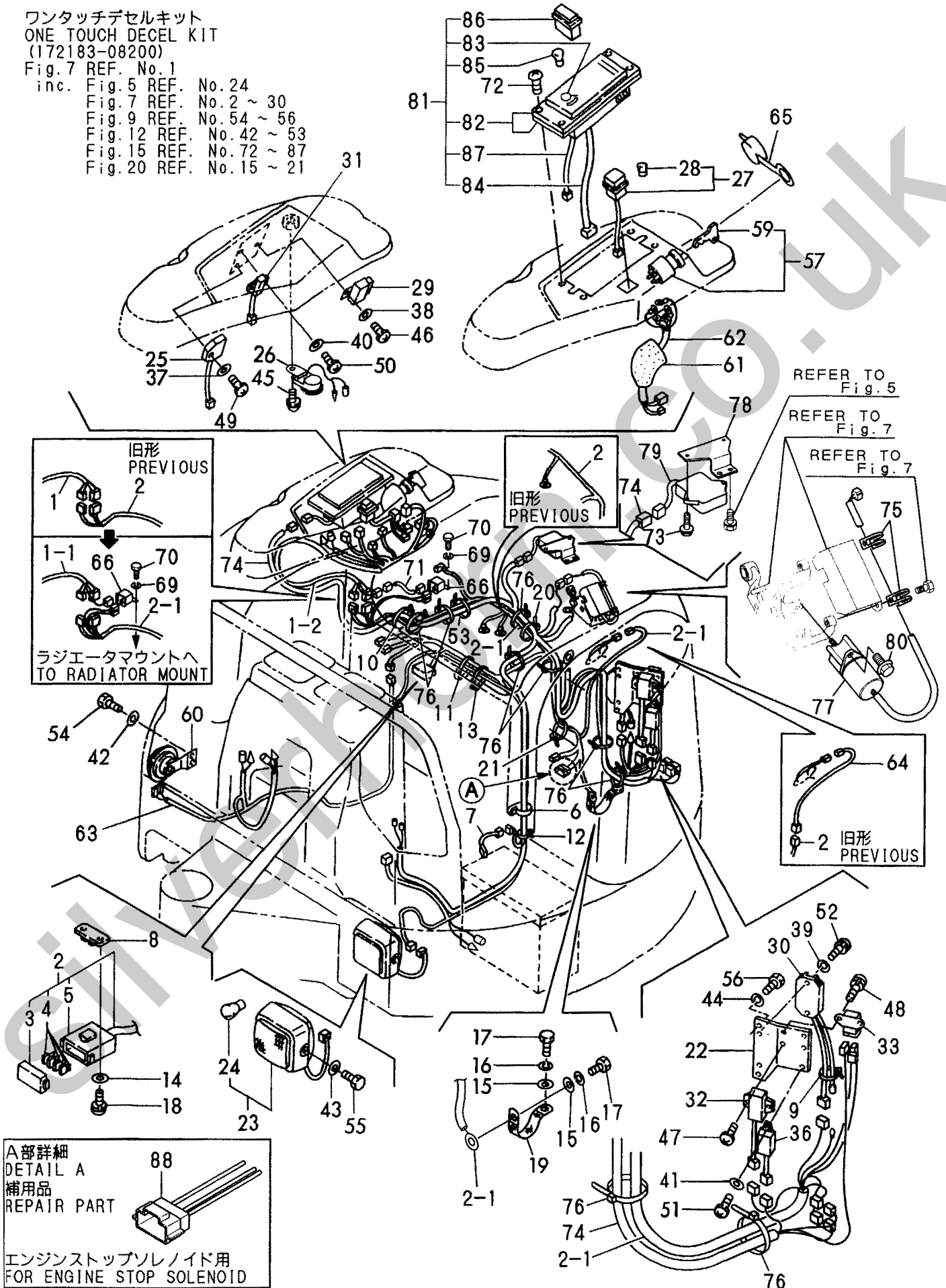
Silverhorn.CO.UK

Fig. 15 電装品 (ワンタッチデセル) ELECTRIC PART (ONE TOUCH DECEL)

ワンタッチデセルキット
ONE TOUCH DECEL KIT
(172183-08200)

Fig. 7 REF. No. 1

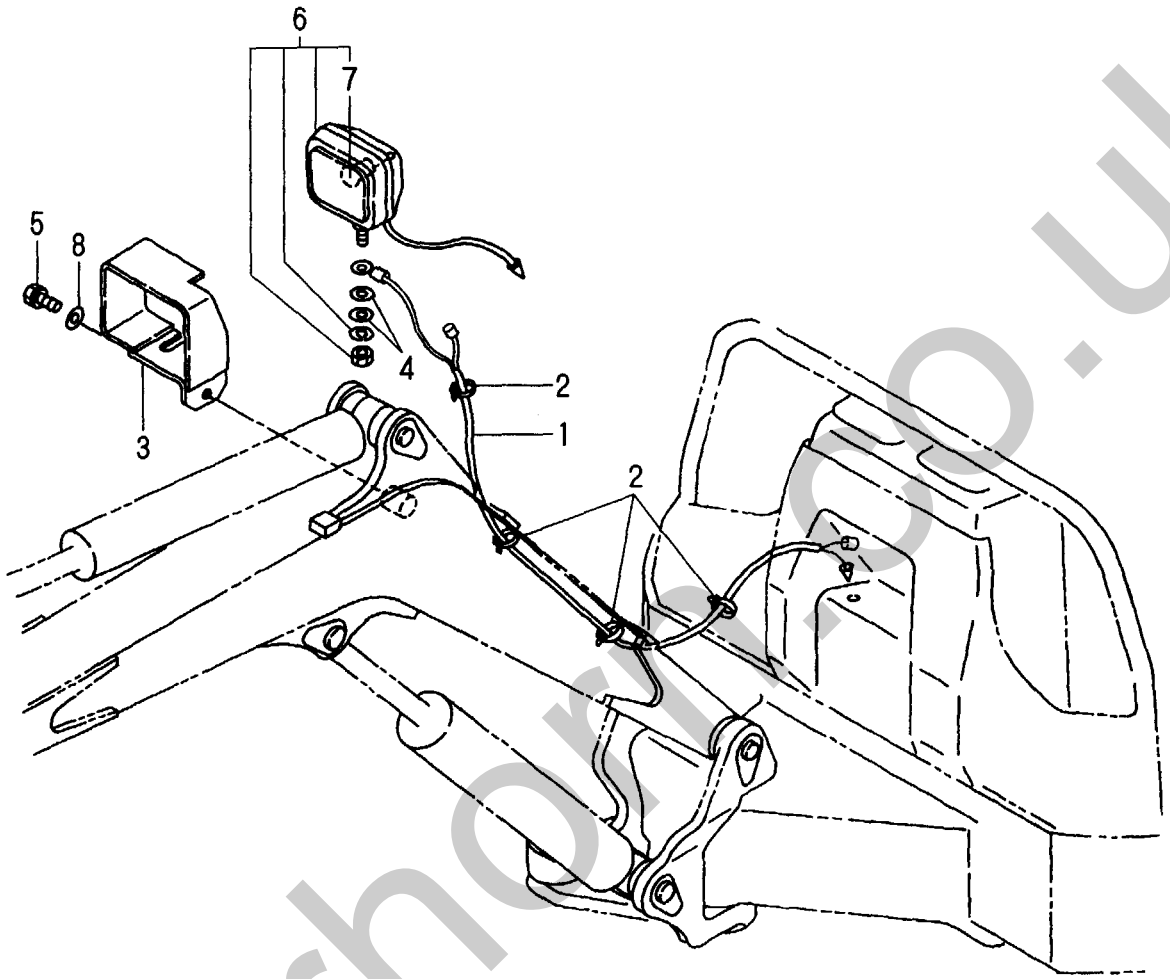
- inc. Fig. 5 REF. No. 24
- Fig. 7 REF. No. 2 ~ 30
- Fig. 9 REF. No. 54 ~ 56
- Fig. 12 REF. No. 42 ~ 53
- Fig. 15 REF. No. 72 ~ 87
- Fig. 20 REF. No. 15 ~ 21



1,1,,172137-16530,, "LEAD WIRE",1,,,,,,,,,,,,,
1-1,1,,172137-16531,, "WIRE, LEAD",1,1,,,,,S,,72149216,M/#00884,,,,,,,,,
2,1,,172137-16560,,BAND,4,4,,,,,,,,,,,,,
3,1,,172137-17401-4,, "COVER, WORK LAMP",1,1,,,,,,,,,,,,,
4,1,,22137-130000,, "WASHER 13",2,2,,,,,,,,,,,,,
5,1,,26013-120302,, "BOLT W/WASHER M12X30",1,1,,,,,,,,,,,,,
5-1,1,,26013-120252,, "BOLT M12X
25",1,1,,,,,S,,72170026,M/#01703,72170026,M/#01703,,,,,,,,,
6,1,,933113-05200,, "LAMP, WORK",1,1,,,,,,,,,,,,,
7,2,,933113-05210,, "BULB 12V 27W",1,1,,,,,,,,,,,,,
8,1,,933152-03700,, "WASHER, SIDE CLUTCH",1,1,,,,,,,,,,,,,

Silverhorn.CO.UK

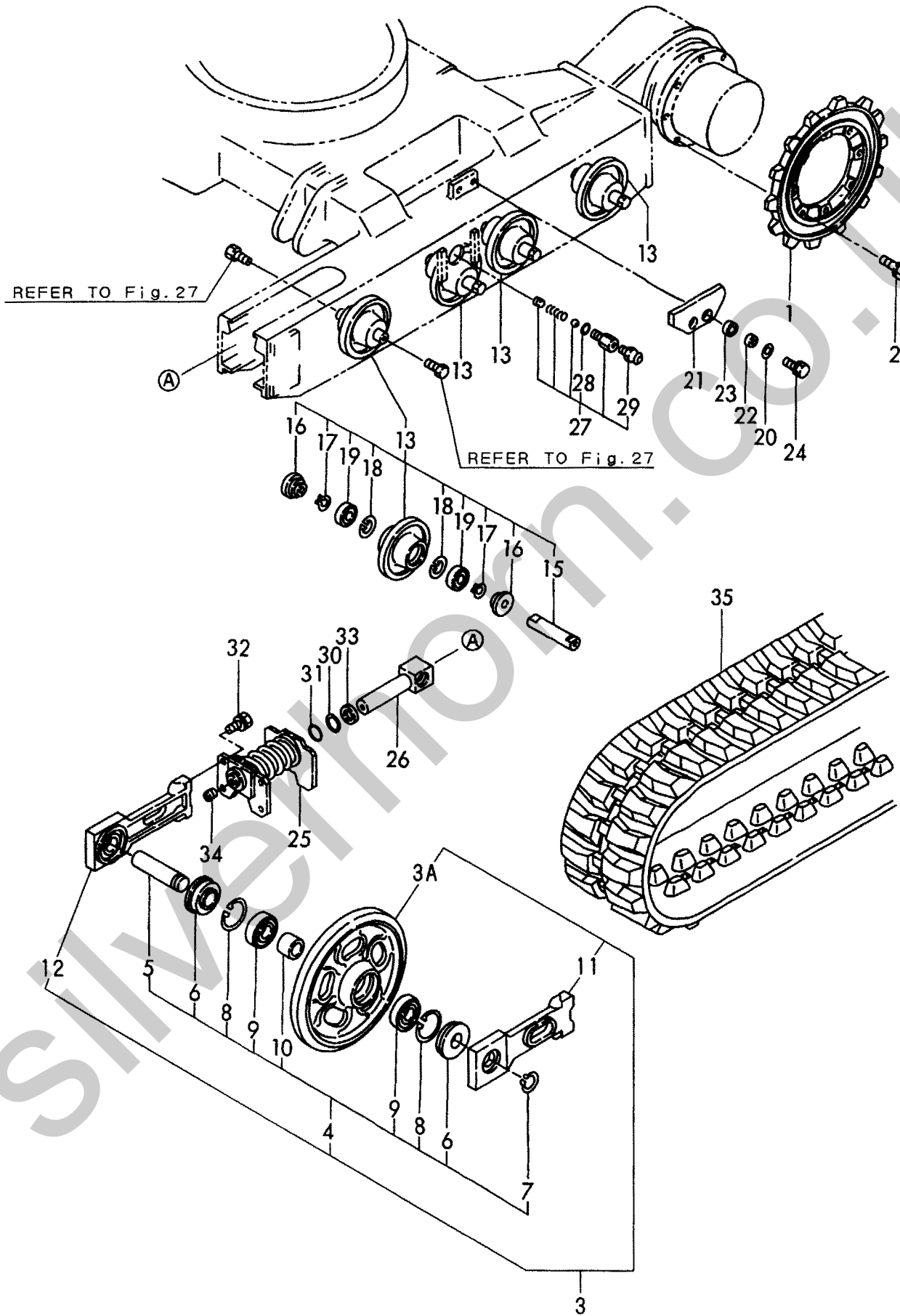
Fig. 16 ワークランプ
WORK LAMP



Silverhobby.com.uk

1,1,,172137-29110,, "SPROCKET,RUBBER CRAW",2,,,,,,,,,,,,,,,,,,,,,
1-1,1,,172137-29111,, "SPROCKET R",2,2,,,,,R,,72183202,M/#01892,,,,,,,,,,,,,
2,1,,26013-100252,, "BOLT W/WASHER M10X25",18,18,,,,,,,,,,,,,,,,,,,,,
3,1,,772183-37100,, "IDLER ASSY",2,2,,,,,W,,*, "FROM 1ST",,,,,,,,,,,,,,
3A,2,,172183-37100,, "IDLER 302",2,2,,,,,,,,,,,,,,,,,,,,,
4,2,,172137-99490,, "IDLER KIT, FRONT",2,2,,,,,,,,,,,,,,,,,,,,,
5,3,,172137-37110,, "SHAFT, IDLER",2,2,,,,,,,,,,,,,,,,,,,,,
6,3,,1A1030-48250,, "SEAL QLF30621218,OIL",4,4,,,,,,,,,,,,,,,,,,,,,
7,3,,22242-000300,, "CIRCLIP 30",2,2,,,,,,,,,,,,,,,,,,,,,
8,3,,22252-000620,, "CIRCLIP 62(H)",4,4,,,,,,,,,,,,,,,,,,,,,
9,3,,24101-062064,, "BALL BEARING",4,4,,,,,,,,,,,,,,,,,,,,,
10,3,,933168-13990,, "COLLAR(B), IDLE.SHAFT",2,2,,,,,,,,,,,,,,,,,,,,,
11,2,,172137-37130,, "COVER (L), SEAL",2,2,,,,,,,,,,,,,,,,,,,,,
12,2,,172137-37140,, "COVER (R), SEAL",2,2,,,,,,,,,,,,,,,,,,,,,
13,1,,772137-37300,, "ROLLER ASSY, TRUCK",8,8,,,,,,,,,,,,,,,,,,,,,
15,2,,172137-37330,, "SHAFT, TRACK ROLLER",8,8,,,,,,,,,,,,,,,,,,,,,
16,2,,172137-37360,, "SEAL",16,16,,,,,,,,,,,,,,,,,,,,,
17,2,,22242-000250,, "CIRCLIP 25S",16,16,,,,,,,,,,,,,,,,,,,,,
18,2,,22252-000470,, "CIRCLIP 47",16,16,,,,,,,,,,,,,,,,,,,,,
19,2,,24101-060054,, "BALL BEARING",16,16,,,,,,,,,,,,,,,,,,,,,
20,1,,172110-36010,, "COLLAR",4,4,,,,,,,,,,,,,,,,,,,,,
21,1,,172183-37500,, "PLATE,SHOE BAFFLE",2,2,,,,,,,,,,,,,,,,,,,,,
22,1,,172183-37510,, "COLLAR 11X16X13",4,4,,,,,,,,,,,,,,,,,,,,,
23,1,,172183-37520,, "COLLAR 16X24X13,RBBR",4,4,,,,,,,,,,,,,,,,,,,,,
24,1,,26013-100352,, "BOLT M10X 35",4,4,,,,,,,,,,,,,,,,,,,,,
25,1,,172137-37710,, "SPRING, ADJUSTING",2,2,,,,,,,,,,,,,,,,,,,,,
26,1,,172137-37801,, "TUBE, ADJUSTER",2,2,,,,,,,,,,,,,,,,,,,,,
27,1,,172122-37843,, "VALVE ASSY, NIPPLE",2,2,,,,,,,,,,,,,,,,,,,,,
28,2,,24315-000140,, "O-RING 1B P-14.0",2,2,,,,,,,,,,,,,,,,,,,,,
29,2,,24761-020000,, "NIPPLE PT1/8,GREASE",2,2,,,,,,,,,,,,,,,,,,,,,
30,1,,172137-37850,, "RING, BACK UP",2,2,,,,,,,,,,,,,,,,,,,,,
31,1,,24315-000300,, "O-RING 1B P-30.0",2,2,,,,,,,,,,,,,,,,,,,,,
32,1,,26013-100302,, "BOLT M10X 30",8,8,,,,,,,,,,,,,,,,,,,,,
33,1,,933126-38600,, "SEAL, DUST",2,2,,,,,,,,,,,,,,,,,,,,,
34,1,,933171-13691,, "PLUG PT1/8",2,2,,,,,,,,,,,,,,,,,,,,,
35,1,,172183-38600,, "CRAWLER ASSY, RUBBER",2,,,,,,,,,,,,,,,,,,,,,
35-1,1,,172983-38600,, "CRAWLER ASSY,
RUBBER",2,2,,,,,N,,72176158,M/#01442,,,,,,,,,,,,,

Fig. 17 クローラ、ローラ&アジャスト
CRAWLER, ROLLER & ADJUST



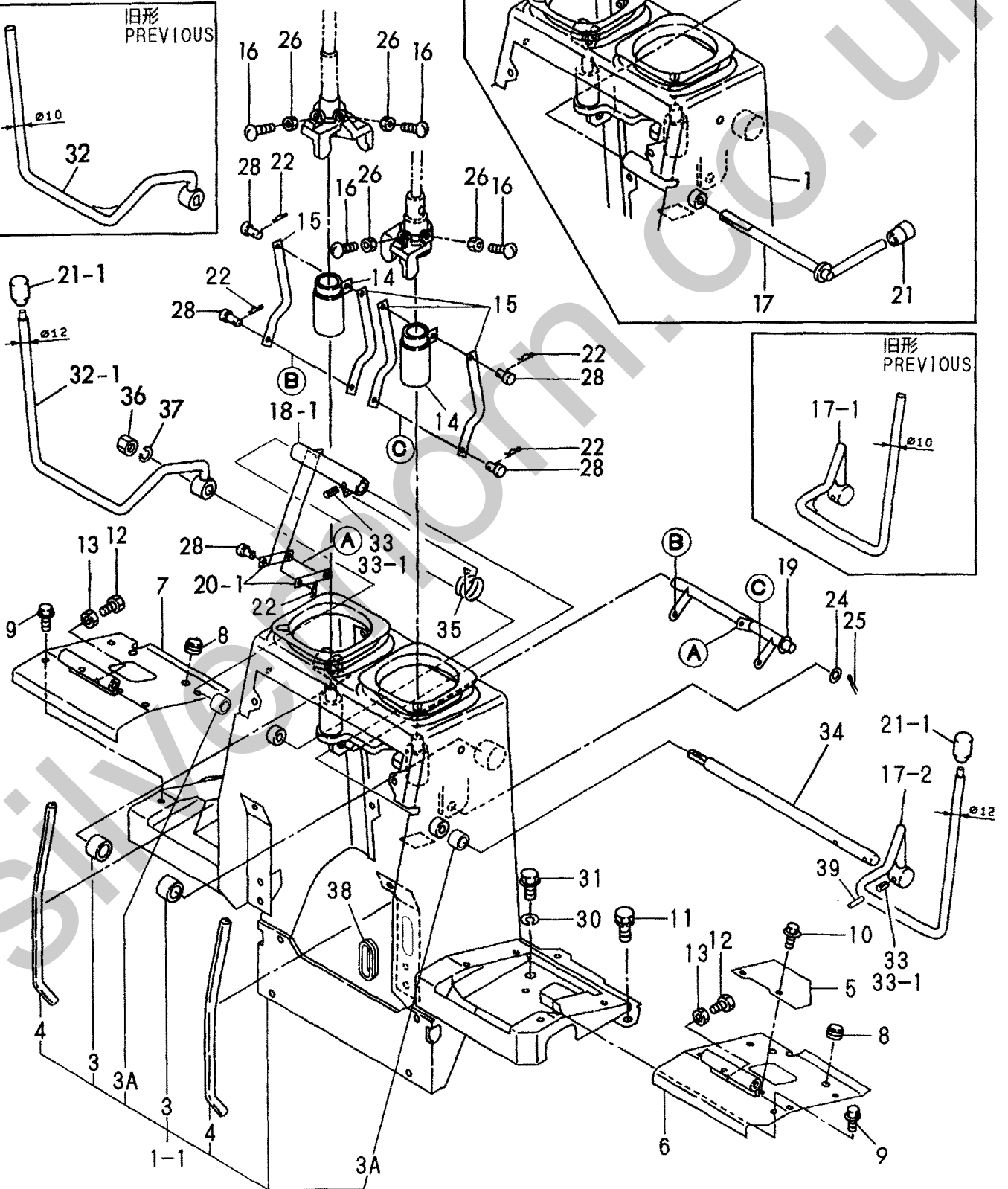
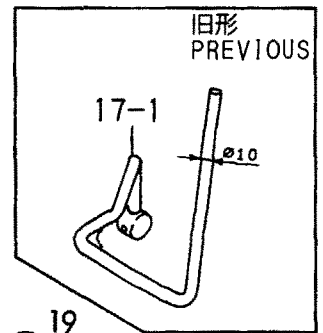
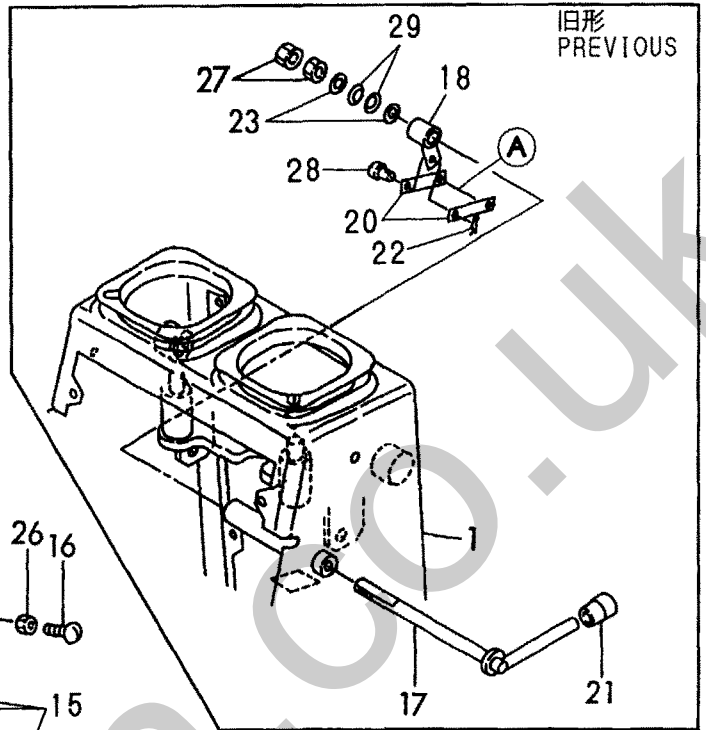
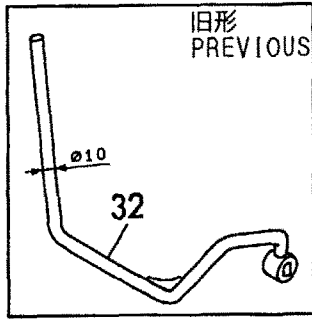
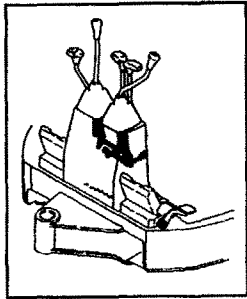
1,1,,172183-45401,, "SUPPORT ASSY.,LINK",1,1,,,,,,,,,,,,,
1-1,1,,172183-45402,, "SUPPORT
ASSY.,LINK",1,1,,,,,S,,72183159,M/#01605,72183159,M/#01605,,,,,
3,2,,172141-41370,, "BUSH 2015",2,2,,,,,,,,,,,,,
3A,2,,172141-41360,, "BUSH 1415",2,2,,,,,W,,72183159,M/#01605,,,,,
4,2,,172183-45700,, "RUBBER,SUPPORT EDGE",2,2,,,,,,,,,,,,,
5,1,,172165-45620,, "COVER, SUPPORT",1,1,,,,,,,,,,,,,
6,1,,172183-45720,, "COVER L COMPL.",1,1,,,,,,,,,,,,,
7,1,,172183-45740,, "COVER R COMPL.",1,1,,,,,,,,,,,,,
8,1,,194630-62360,,GROMMET,4,4,,,,,,,,,,,,,
9,1,,172519-63240,, "BOLT 8X 16",8,8,,,,,,,,,,,,,
10,1,,172519-63240,, "BOLT 8X 16",2,2,,,,,,,,,,,,,
11,1,,26013-100252,, "BOLT W/WASHER M10X25",4,4,,,,,,,,,,,,,
12,1,,26116-060202,, "BOLT M 6X 20",2,2,,,,,,,,,,,,,
13,1,,26716-060002,, "NUT 6",2,2,,,,,,,,,,,,,
14,1,,172141-42600,, "PIPE, LOCK",2,2,,,,,,,,,,,,,
15,1,,172141-42700-4,, "LINK,LOCK",4,,,,,,,,,,,,,
15-1,1,,172141-42701-4,, "LINK,LOCK",4,4,,,,,N,,72171093,M/#01475,,,,,
16,1,,172141-42750,, "BOLT, STOPPER",8,8,,,,,,,,,,,,,
17,1,,172183-45770,, "LEVER COMP.,LOCK",1,1,,,,,,,,,,,,,
17-1,1,,172183-45771,, "LEVER
COMP.,LOCK",1,1,,,,,S,,72183159,M/#01605,72183159,M/#01605,,,,,
17-2,1,,172183-45772,, "LEVER
COMP.,LOCK",1,1,,,,,N,,72183172,M/#01703,72183172,M/#01703,,,,,
18,1,,172183-45790,, "ARM COMP.,LOCK",1,1,,,,,,,,,,,,,
18-1,1,,172183-45791,, "ARM
COMP.,LOCK",1,1,,,,,S,,72183159,M/#01605,72183159,M/#01605,,,,,
19,1,,172183-45800,, "LINK COMP.,LOCK",1,1,,,,,,,,,,,,,
20,1,,172183-45830,, "LINK,LOCK",2,2,,,,,,,,,,,,,
20-1,1,,172183-
45831,, "LINK,LOCK",2,2,,,,,S,,72183159,M/#01605,72183159,M/#01605,,,,,
21,1,,172116-46630,, "KNOB, LOCK LEVER",1,1,,,,,,,,,,,,,
21-1,1,,172116-46630,, "KNOB, LOCK
LEVER",2,2,,,,,K,,72183159,M/#01605,72183159,M/#01605,,,,,
22,1,,1C6281-52310,, "PIN 6,COME-OFF SNAP",6,6,,,,,,,,,,,,,
23,1,,22137-120000,, "WASHER
12,POLISHED",2,2,,,,,Z,,72183159,M/#01605,72183159,M/#01605,,,,,
24,1,,22137-120000,, "WASHER 12,POLISHED",1,1,,,,,,,,,,,,,
25,1,,22417-200200,, "COTTER PIN 2.0X20",1,1,,,,,,,,,,,,,
26,1,,26756-080002,, "LOCK NUT M 8 PLATED",8,8,,,,,,,,,,,,,
27,1,,26756-120002,, "LOCK NUT
12",2,2,,,,,Z,,72183159,M/#01605,72183159,M/#01605,,,,,
28,1,,933110-54100,, "PIN 4.75X14",6,6,,,,,,,,,,,,,
29,1,,933170-01490,, "SPRING
12",2,2,,,,,Z,,72183159,M/#01605,72183159,M/#01605,,,,,
30,1,,22217-100000,, "SPRING WASHER 10",2,2,,,,,,,,,,,,,
31,1,,26116-100162,, "BOLT M10X 16 PLATED",2,2,,,,,,,,,,,,,
32,1,,172183-45931,, "LEVER
COMP.,LOCK",1,1,,,,,W,,72183165,M/#01605,72183165,M/#01605,,,,,
32-1,1,,172183-45932,, "LEVER
COMP.,LOCK",1,1,,,,,N,,72183172,M/#01703,72183172,M/#01703,,,,,
33,1,,22351-050025,, "SPRING PIN
5X25",3,3,,,,,W,,72183159,M/#01605,72183159,M/#01605,,,,,
33-1,1,,22351-050025,, "SPRING PIN
5X25",2,2,,,,,K,,72183165,M/#01605,72183165,M/#01605,,,,,
34,1,,172183-45921,, "SHAFT
14",1,1,,,,,W,,72183165,M/#01605,72183165,M/#01605,,,,,
35,1,,172165-45970,, "SPRING,1,1,,,,,W,,72183159,M/#01605,72183159,M/#01605,,,,,
36,1,,26716-120002,, "NUT
12",1,1,,,,,W,,72183165,M/#01605,72183165,M/#01605,,,,,
37,1,,22137-120000,, "WASHER
12,POLISHED",1,1,,,,,W,,72183165,M/#01605,72183165,M/#01605,,,,,

38,1,,933171-15680,, "GROMMET
40X13",1,1,,,,,W,,72183159,M/#01605,72183159,M/#01605,,,,,
39,1,,22351-030025,, "SPRING PIN
3X25",1,1,,,,,W,,72183170,M/#01605,72183170,M/#01605,,,,,

Silverhorn.CO.UK

Fig. 18 操縦装置 (リンク台&レバーストップ) (旧形)
 CONTROL EQUIPMENT (LINK STAND & LEVER STOPPER) (PREVIOUS)

~M/#10500

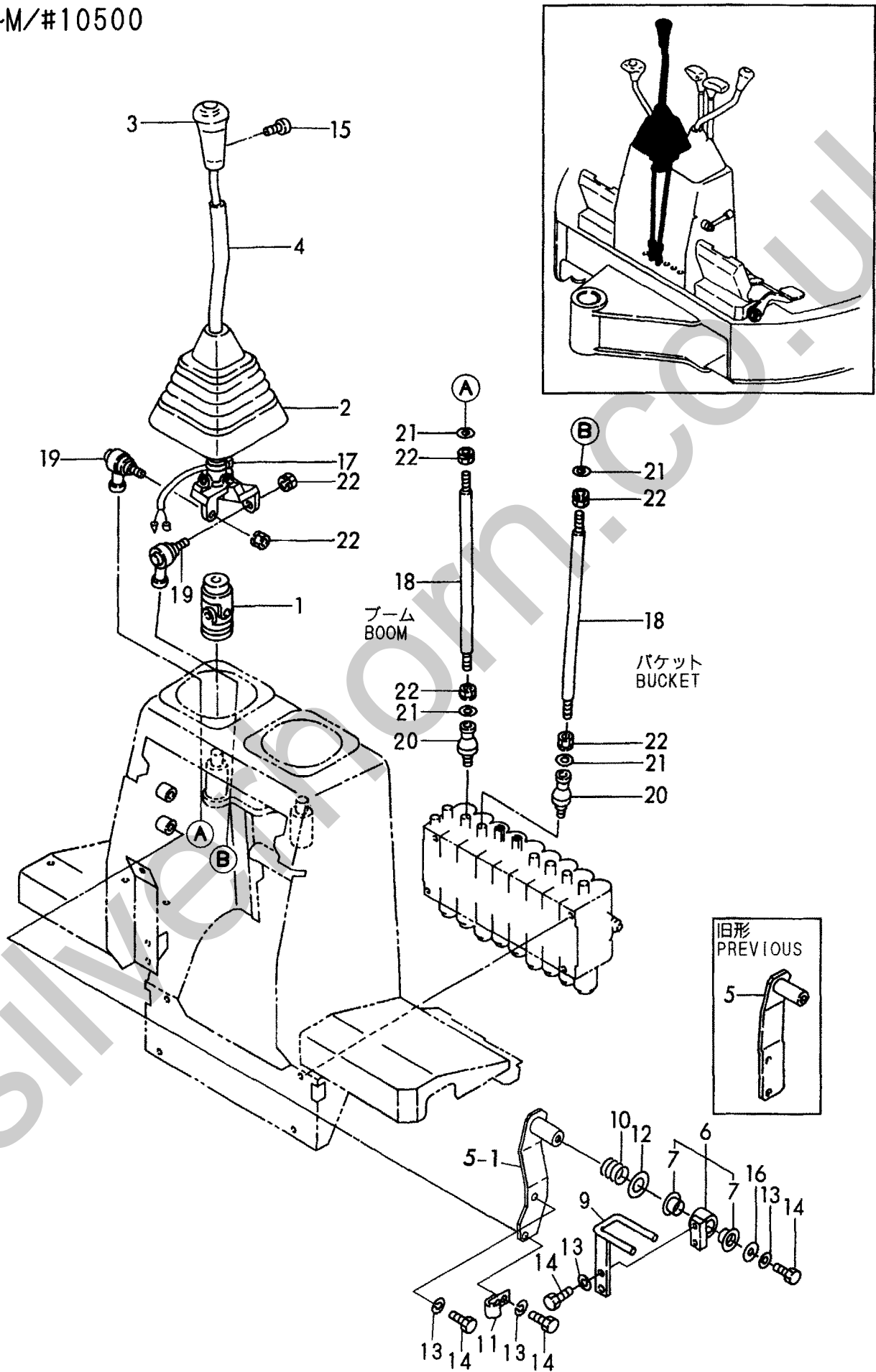


1,1,,172141-41160,,JOINT,1,1,,,,,,,,,,,,,
2,1,,172151-45010,,,"BOOT P,LEVER",1,1,,,,,,,,,,,,,
3,1,,172165-45081,,,"KNOB R COMPL.",1,1,,,,,,,,,,,,,
4,1,,172183-45140,,,"LEVER R COMPL.",1,1,,,,,,,,,,,,,
5,1,,172183-46300,,,"BASE COMPL.",1,1,,,,,,,,,,,,,
5-1,1,,172183-46301,,,"BASE
COMPL.",1,1,,,,,S,,72183159,M/#01605,72183159,M/#01605,,,,,
6,1,,172183-46340,,,"HOSE ASSY.",1,1,,,,,,,,,,,,,
7,2,,172183-46350,,,"BUSH 20X10,FLANGE",2,2,,,,,,,,,,,,,
9,1,,172183-46400,,,"ARM COMPL.",1,1,,,,,,,,,,,,,
10,1,,172183-46430,,,"SPRING",1,1,,,,,,,,,,,,,
11,1,,172183-46440,,,"CLAMP WRC10",1,1,,,,,,,,,,,,,
12,1,,22137-200000,,,"WASHER 20,POLISHED",1,1,,,,,,,,,,,,,
13,1,,22217-080000,,,"SPRING WASHER 8",5,5,,,,,,,,,,,,,
14,1,,26116-080162,,,"BOLT 8X16",5,5,,,,,,,,,,,,,
15,1,,26587-040062,,,"SCREW M 4X 6",1,1,,,,,,,,,,,,,
16,1,,933166-17730,,,"WASHER 10.5X30",1,1,,,,,,,,,,,,,
17,1,,933168-55770,,,"BAND 146",2,2,,,,,,,,,,,,,
18,1,,172183-45850,,,"ROD 315",2,2,,,,,,,,,,,,,
19,1,,172122-46590,,,"ELBALL 8",2,2,,,,,,,,,,,,,
20,1,,172122-47250,,,"BALL 8, LINK",2,2,,,,,,,,,,,,,
21,1,,22137-080000,,,"WASHER 8, POLISHED",4,4,,,,,,,,,,,,,
22,1,,26051-080002,,,"NUT M 8",6,6,,,,,,,,,,,,,

Silverhorn.CO.UK

Fig. 19 操縦装置 (ブーム&バケット) (旧形)
CONTROL EQUIPMENT (BOOM & BUCKET) (PREVIOUS)

~M/#10500



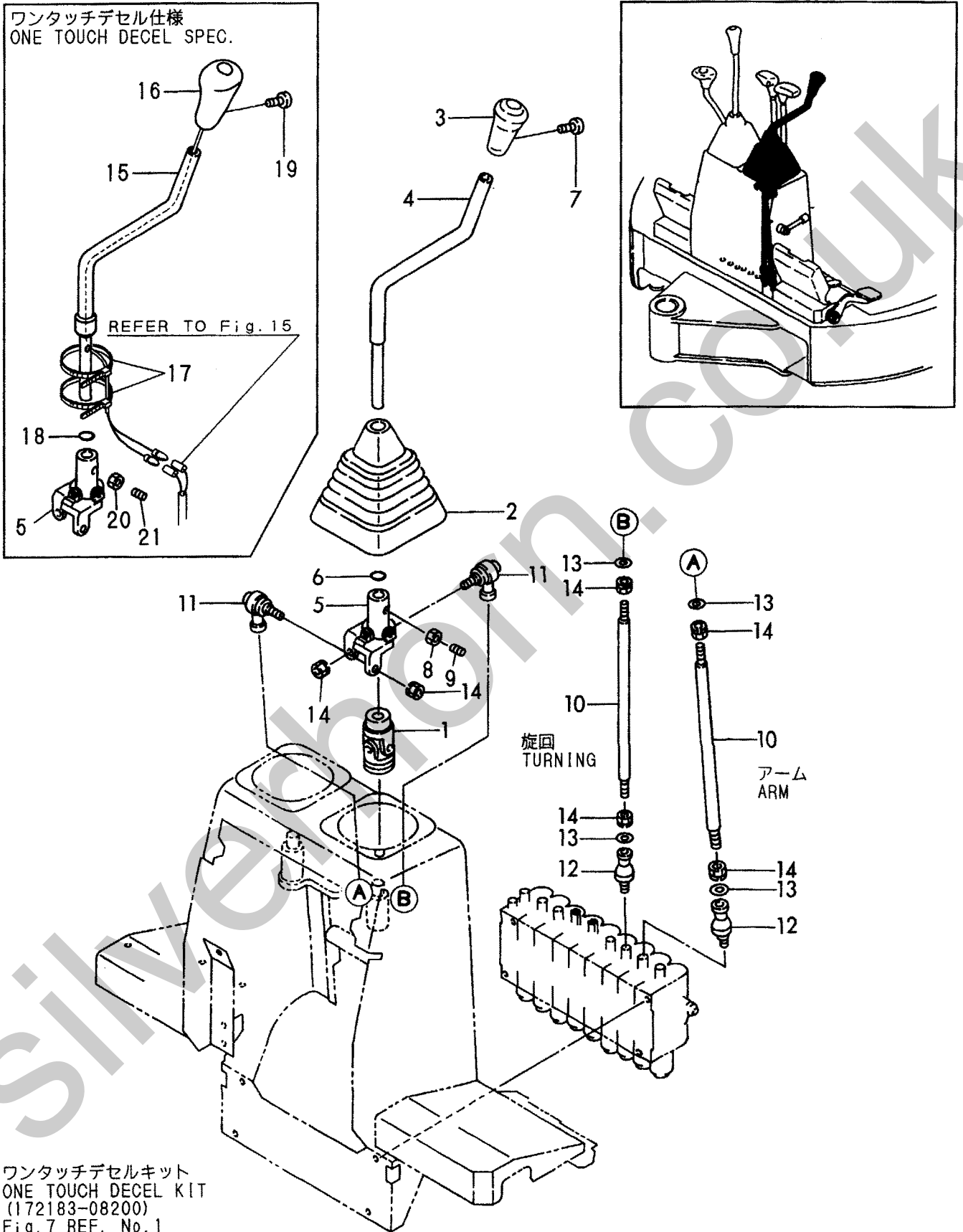
1,1,,172141-41160,,JOINT,1,1,,,,,,,,,,,,,
2,1,,172151-45010,,,"BOOT P,LEVER",1,1,,,,,,,,,,,,,
3,1,,172165-45071,,,"KNOB (L) ASSY",1,1,,,,,,,,,,,,,
4,1,,172183-45100,,,"LEVER L COMPL.",1,1,,,,,,,,,,,,,
5,1,,172183-45130,,,"LEVER L,LINK",1,1,,,,,,,,,,,,,
6,1,,24311-000140,,,"O-RING 1A P-14.0",1,1,,,,,,,,,,,,,
7,1,,26587-040062,,,"SCREW M 4X 6",1,1,,,,,,,,,,,,,
8,1,,26756-080002,,,"LOCK NUT M 8 PLATED",1,1,,,,,,,,,,,,,
9,1,,26979-080162,,,"SCREW M 8X16",1,1,,,,,,,,,,,,,
10,1,,172183-45850,,,"ROD 315",2,2,,,,,,,,,,,,,
11,1,,172122-46590,,,"ELBALL 8",2,2,,,,,,,,,,,,,
12,1,,172122-47250,,,"BALL 8, LINK",2,2,,,,,,,,,,,,,
13,1,,22137-080000,,,"WASHER 8, POLISHED",4,4,,,,,,,,,,,,,
14,1,,26051-080002,,,"NUT M 8",6,6,,,,,,,,,,,,,
15,1,,172183-45080,,,"LEVER L ASSY.,DECEL",1,,,,,1,,,,,,,,,,,,,
16,1,,172176-47870,,,"KNOB",1,,,,,1,,,,,,,,,,,,,
17,1,,933168-55770,,,"BAND 146",2,,,,,1,,,,,,,,,,,,,
18,1,,24311-000140,,,"O-RING 1A P-14.0",1,,,,,1,,,,,,,,,,,,,
19,1,,26587-040062,,,"SCREW M 4X 6",1,,,,,1,,,,,,,,,,,,,
20,1,,26756-080002,,,"LOCK NUT M 8 PLATED",1,,,,,1,,,,,,,,,,,,,
21,1,,26979-080162,,,"SCREW M 8X16",1,,,,,1,,,,,,,,,,,,,

Silverhorn.CO.UK

Fig. 20 操縦装置 (アーム&旋回) (旧形) CONTROL EQUIPMENT (ARM & TURNING) (PREVIOUS)

~M/#10500

ワンタッチデセル仕様
ONE TOUCH DECEL SPEC.



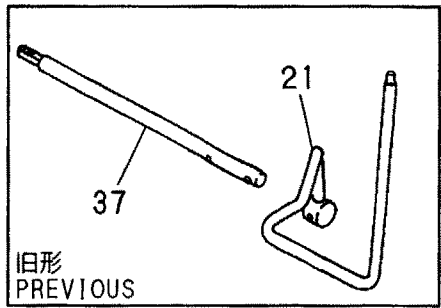
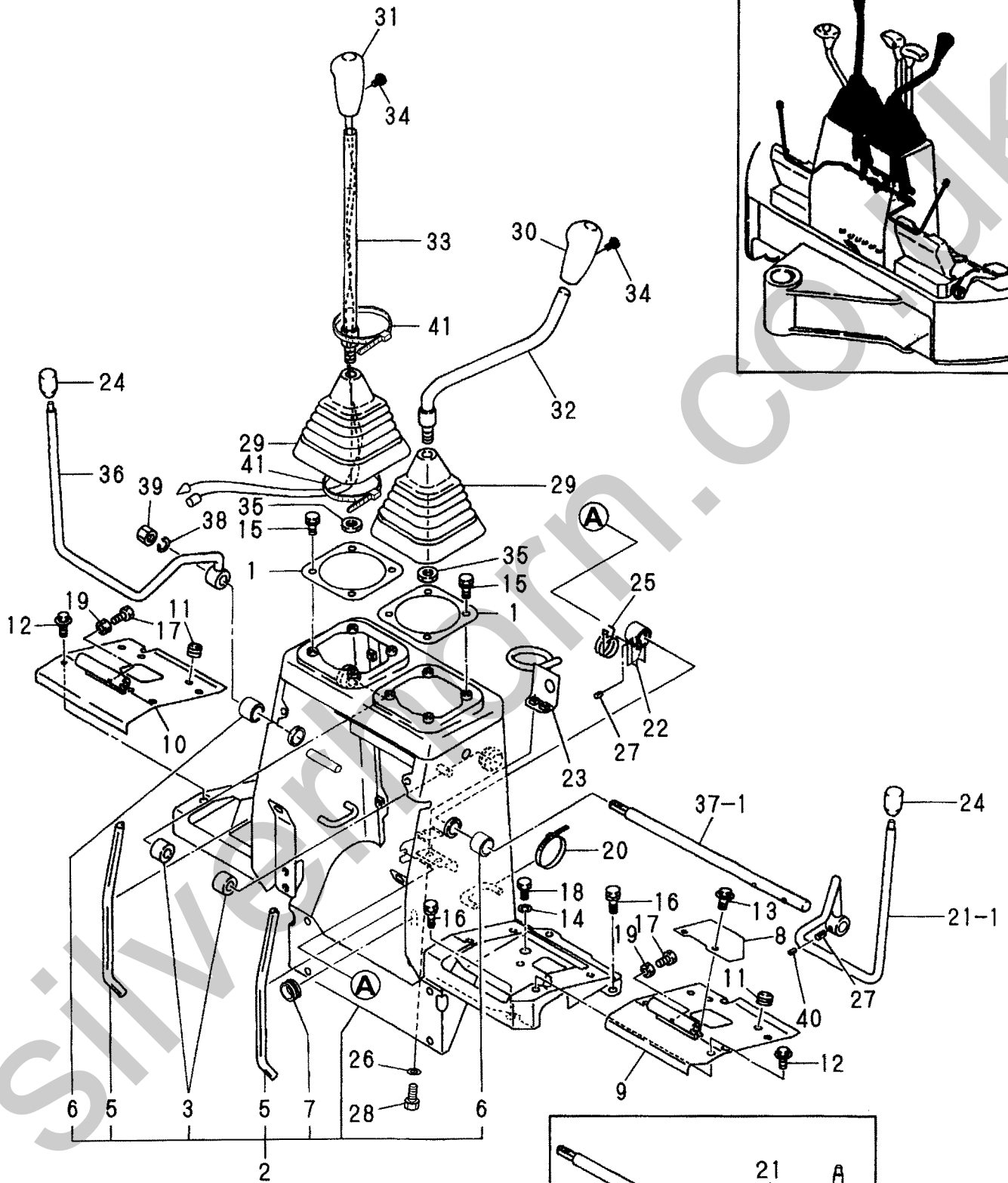
ワンタッチデセルキット
ONE TOUCH DECEL KIT
(172183-08200)

Fig.7 REF. No.1

- inc. Fig. 5 REF. No. 24
- Fig. 7 REF. No. 2 ~ 30
- Fig. 9 REF. No. 54 ~ 56
- Fig. 12 REF. No. 42 ~ 53
- Fig. 15 REF. No. 72 ~ 87
- Fig. 20 REF. No. 15 ~ 21

1,1,,172151-45320,, "PLATE,BOOT",2,2,,,,,,,,,,,,,,,,,,,,,
2,1,,172173-45401,, "SUPPORT ASSY",1,1,,,,,,,,,,,,,,,,,,,,,
3,2,,172141-41370,, "BUSH 2015",2,2,,,,,,,,,,,,,,,,,,,,,
5,2,,172183-45700,, "RUBBER,SUPPORT EDGE",2,2,,,,,,,,,,,,,,,,,,,,,
6,2,,172141-41360,, "BUSH 1415",2,2,,,,,,,,,,,,,,,,,,,,,
7,2,,933171-15680,, "GROMMET 40X13",1,1,,,,,,,,,,,,,,,,,,,,,
8,1,,172165-45620,, "COVER, SUPPORT",1,1,,,,,1,,,,,,,,,,,,,,,,,,,,,
9,1,,172183-45720,, "COVER L COMPL.",1,1,,,,,,,,,,,,,,,,,,,,,
10,1,,172183-45740,, "COVER R COMPL.",1,1,,,,,,,,,,,,,,,,,,,,,
11,1,,194630-62360,, GROMMET,4,4,,,,,,,,,,,,,,,,,,,,,
12,1,,172519-63240,, "BOLT 8X 16",8,8,,,,,,,,,,,,,,,,,,,,,
13,1,,172519-63240,, "BOLT 8X 16",2,2,,,,,1,,,,,,,,,,,,,,,,,,,,,
14,1,,22217-100000,, "SPRING WASHER 10",2,2,,,,,,,,,,,,,,,,,,,,,
15,1,,26013-080162,, "BOLT W/WASHER M8X16",8,8,,,,,,,,,,,,,,,,,,,,,
16,1,,26013-100252,, "BOLT W/WASHER M10X25",4,4,,,,,,,,,,,,,,,,,,,,,
17,1,,26116-060202,, "BOLT M 6X 20",2,2,,,,,,,,,,,,,,,,,,,,,
18,1,,26116-100162,, "BOLT M10X 16 PLATED",2,2,,,,,,,,,,,,,,,,,,,,,
19,1,,26716-060002,, "NUT 6",2,2,,,,,,,,,,,,,,,,,,,,,
20,1,,933168-55770,, "BAND 146",1,1,,,,,,,,,,,,,,,,,,,,,
21,1,,172183-45772,, "LEVER COMP.,LOCK",1,1,,,,,,,,,,,,,,,,,,,,,
21-1,1,,172183-45773,, "LEVER ASSY,LOCK
L",1,1,,,,,S,,72422136,*1999.07,72422136,*1999.07,,,,,
22,1,,172173-45521,, LINK,1,1,,,,,,,,,,,,,,,,,,,,,
23,1,,172173-45552,, "BRACKET ASSY",1,1,,,,,,,,,,,,,,,,,,,,,
24,1,,172116-46630,, "KNOB, LOCK LEVER",2,2,,,,,,,,,,,,,,,,,,,,,
25,1,,172165-45970,, SPRING,1,1,,,,,,,,,,,,,,,,,,,,,
26,1,,22137-080000,, "WASHER 8, POLISHED",2,2,,,,,,,,,,,,,,,,,,,,,
27,1,,22351-050025,, "SPRING PIN 5X25",2,2,,,,,,,,,,,,,,,,,,,,,
28,1,,26013-080202,, "BOLT W/WASHER M8X20",2,2,,,,,,,,,,,,,,,,,,,,,
29,1,,172151-45010,, "BOOT P,LEVER",2,2,,,,,,,,,,,,,,,,,,,,,
30,1,,172165-45071,, "KNOB (L) ASSY",1,1,,,,,,,,,,,,,,,,,,,,,
31,1,,172165-45081,, "KNOB R COMPL.",1,1,,,,,,,,,,,,,,,,,,,,,
32,1,,172173-45100,, "LEVER L (GRAY:72)",1,1,,,,,,,,,,,,,,,,,,,,,
33,1,,172173-45140,, "LEVER R (GRAY:72)",1,1,,,,,,,,,,,,,,,,,,,,,
34,1,,26587-040062,, "SCREW M 4X 6",2,2,,,,,,,,,,,,,,,,,,,,,
35,1,,26736-140002,, "NUT M14",2,2,,,,,,,,,,,,,,,,,,,,,
36,1,,172183-45932,, "LEVER COMP.,LOCK",1,1,,,,,,,,,,,,,,,,,,,,,
37,1,,172183-45921,, "SHAFT 14",1,1,,,,,,,,,,,,,,,,,,,,,
37-1,1,,172183-
45922,, SHAFT,1,1,,,,,S,,72422136,*1999.07,72422136,*1999.07,,,,,
38,1,,22137-120000,, "WASHER 12,POLISHED",1,1,,,,,,,,,,,,,,,,,,,,,
39,1,,26716-120002,, "NUT 12",1,1,,,,,,,,,,,,,,,,,,,,,
40,1,,22351-030025,, "SPRING PIN 3X25",1,1,,,,,,,,,,,,,,,,,,,,,
41,1,,933168-55770,, "BAND 146",2,2,,,,,,,,,,,,,,,,,,,,,

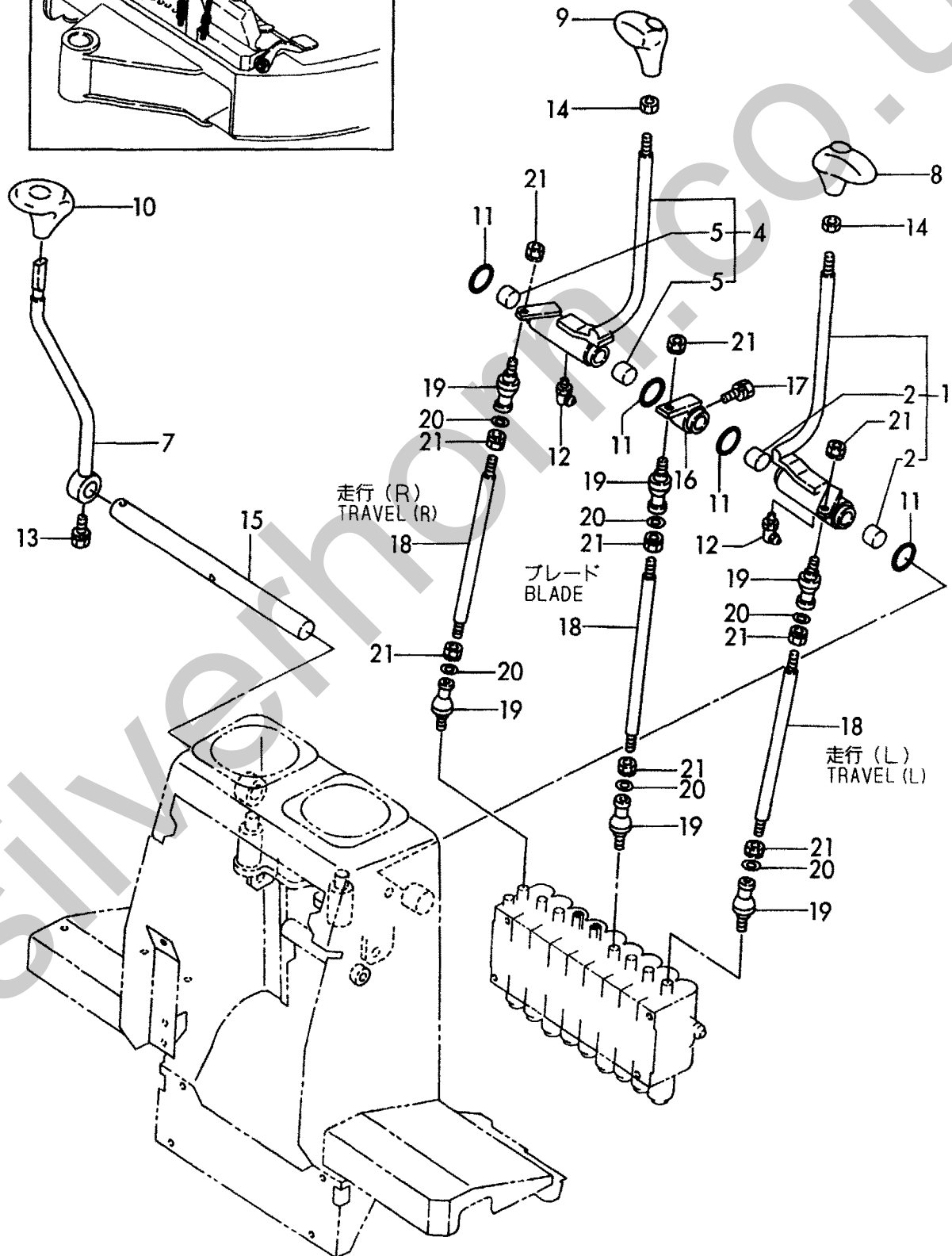
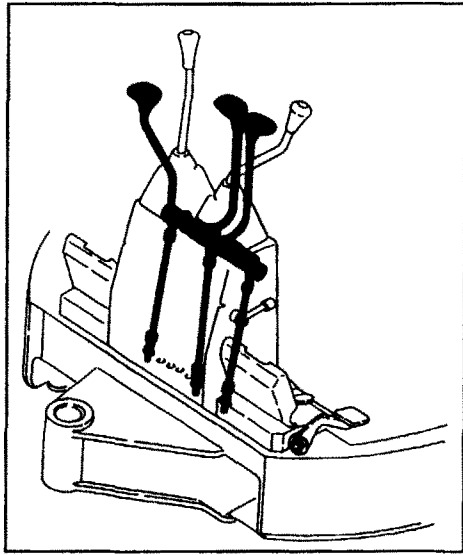
Fig. 21 操縦装置 (レバー&スタンド) (新形, 油圧パイロット仕様)
 CONTROL EQUIPMENT (LEVER & STAND)
 (NEW, HYD. OIL PILOT SPEC.)
 M/#10501~



1,1,,172183-45010,, "LEVER ASSY.,TRACK L",1,1,,,,,,,,,,,,,,,,,
2,2,,172141-41370,, "BUSH 2015",2,2,,,,,,,,,,,,,,,,,
4,1,,172183-45060,, "LEVER ASSY.,TRACK R",1,1,,,,,,,,,,,,,,,,,
5,2,,172141-41370,, "BUSH 2015",2,2,,,,,,,,,,,,,,,,,
7,1,,172183-45170,, "LEVER COMP.,BLADE",1,1,,,,,,,,,,,,,,,,,
8,1,,172164-45950,, "GRIP L, DRIV.",1,,,,,,,,,,,,,,,,,
8-1,1,,172164-45951,, "GRIP L, DRIV.",1,1,,,,,N,,72164407,M/#01713,,,,,
9,1,,172164-45960,, "GRIP R, DRIV.",1,,,,,,,,,,,,,,,,,
9-1,1,,172164-45961,, "GRIP R, DRIV.",1,1,,,,,N,,72164407,M/#01713,,,,,
10,1,,172164-45970,, "GRIP, BLADE",1,1,,,,,,,,,,,,,,,,,
11,1,,172124-46200,, "O-RING 27X5.7",4,4,,,,,,,,,,,,,,,,,
12,1,,24761-050000,, "NIPPLE C,GREASE",2,2,,,,,,,,,,,,,,,,,
13,1,,26013-080252,, "BOLT M 8X 25",1,1,,,,,,,,,,,,,,,,,
14,1,,26736-100002,, "NUT M10",2,2,,,,,,,,,,,,,,,,,
15,1,,172183-45200,, "SHAFT,LINK",1,1,,,,,,,,,,,,,,,,,
16,1,,172183-45320,, "LINK COMP.,BLADE",1,1,,,,,,,,,,,,,,,,,
17,1,,26013-080252,, "BOLT M 8X 25",1,1,,,,,,,,,,,,,,,,,
18,1,,172183-45860,, "ROD 285",3,3,,,,,,,,,,,,,,,,,
19,1,,172122-47250,, "BALL 8, LINK",6,6,,,,,,,,,,,,,,,,,
20,1,,22137-080000,, "WASHER 8, POLISHED",6,6,,,,,,,,,,,,,,,,,
21,1,,26051-080002,, "NUT M 8",9,9,,,,,,,,,,,,,,,,

Silverhorn.CO.UK

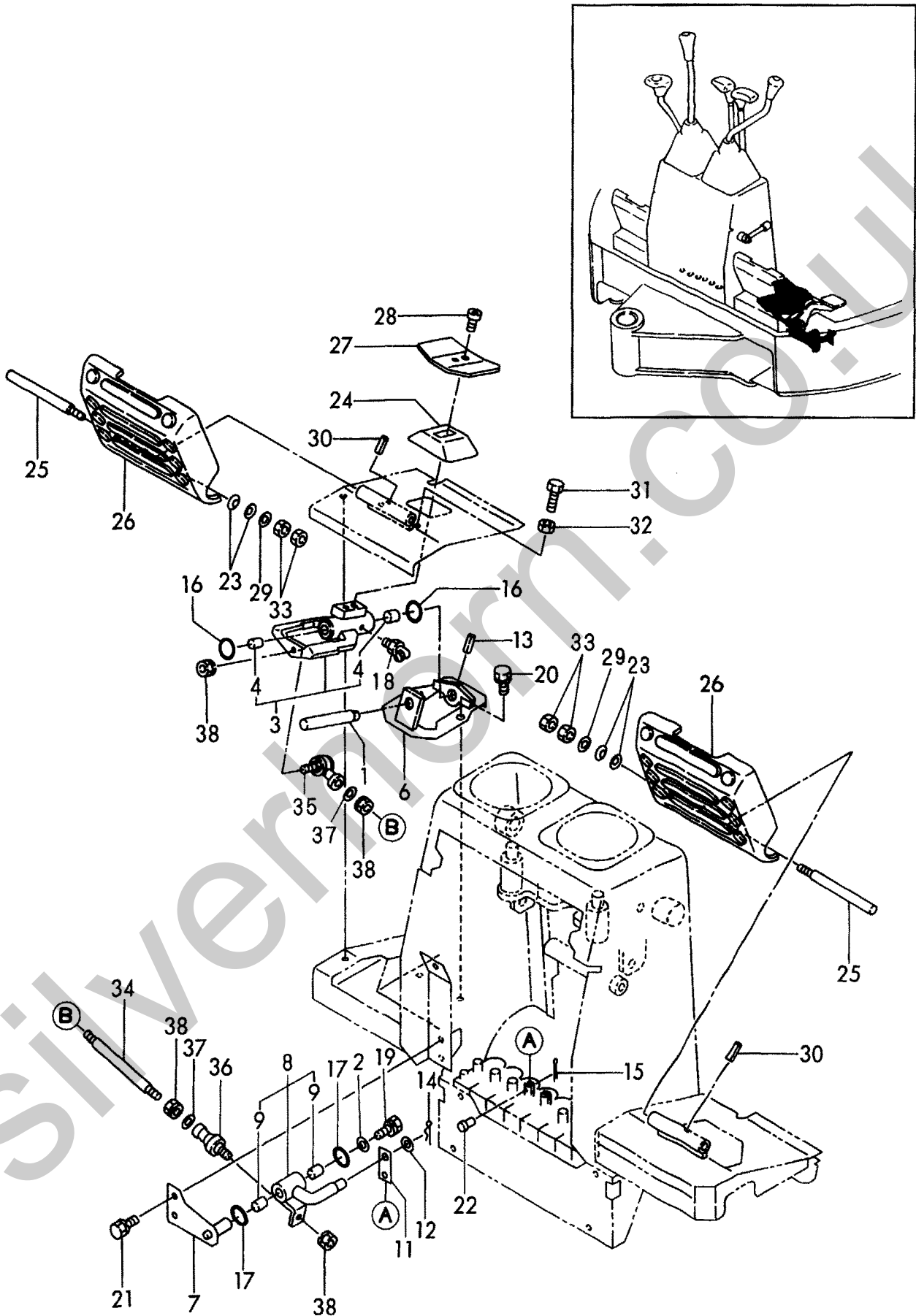
Fig. 22 操縦装置 (走行&ブレード)
CONTROL EQUIPMENT (TRAVEL & BLADE)



1,1,,172146-41910,, "PIN 14-100",1,1,,,,,,,,,,,,,,,,,,,,,
2,1,,1A1040-43900,, "SPRING WASHER",1,1,,,,,,,,,,,,,,,,,,,,,
3,1,,172183-45210,, "LINK W/BUSH, PEDAL",1,1,,,,,,,,,,,,,,,,,,,,,
4,2,,172141-41360,, "BUSH 1415",2,2,,,,,,,,,,,,,,,,,,,,,
6,1,,172183-45240,, "BRACKET, PEDAL",1,1,,,,,,,,,,,,,,,,,,,,,
7,1,,172183-45261,, "SHAFT, SWING(GRAY:72)",1,1,,,,,,,,,,,,,,,,,,,,,
8,1,,172183-45281,, "LINK ASSY., SWING",1,1,,,,,,,,,,,,,,,,,,,,,
9,2,,172141-41360,, "BUSH 1415",2,2,,,,,,,,,,,,,,,,,,,,,
11,1,,172156-46340,, "ROD, SPOOL",1,1,,,,,,,,,,,,,,,,,,,,,
12,1,,22137-120000,, "WASHER 12,POLISHED",1,1,,,,,,,,,,,,,,,,,,,,,
13,1,,22351-040032,, "SPRING PIN 4X32",1,1,,,,,,,,,,,,,,,,,,,,,
14,1,,22372-120000,, "SNAP PIN 12",1,1,,,,,,,,,,,,,,,,,,,,,
15,1,,22417-160160,, "COTTER PIN 1.6X16",1,1,,,,,,,,,,,,,,,,,,,,,
16,1,,24311-000210,, "O-RING 1A P-21.0",2,2,,,,,,,,,,,,,,,,,,,,,
17,1,,24311-000210,, "O-RING 1A P-21.0",2,2,,,,,,,,,,,,,,,,,,,,,
18,1,,24761-050000,, "NIPPLE C,GREASE",1,1,,,,,,,,,,,,,,,,,,,,,
19,1,,26013-080202,, "BOLT W/WASHER M8X20",1,1,,,,,,,,,,,,,,,,,,,,,
20,1,,26013-100202,, "BOLT W/WASHER M10X20",2,2,,,,,,,,,,,,,,,,,,,,,
21,1,,26013-100252,, "BOLT W/WASHER M10X25",2,2,,,,,,,,,,,,,,,,,,,,,
22,1,,933110-54100,, "PIN 4.75X14",1,1,,,,,,,,,,,,,,,,,,,,,
23,1,,172068-28490,, "SPRING 8",4,4,,,,,,,,,,,,,,,,,,,,,
24,1,,172157-45990,, "BOOTS, PEDAL",1,1,,,,,,,,,,,,,,,,,,,,,
25,1,,172165-46230,, "SHAFT, SWING",2,2,,,,,,,,,,,,,,,,,,,,,
26,1,,172165-46261,, "COVER, PEDAL",2,2,,,,,,,,,,,,,,,,,,,,,
27,1,,172165-46281,, "PEDAL ASSY, SWING",1,1,,,,,,,,,,,,,,,,,,,,,
28,1,,172165-46340,, "BOLT",2,2,,,,,,,,,,,,,,,,,,,,,
29,1,,22137-080000,, "WASHER 8, POLISHED",2,2,,,,,,,,,,,,,,,,,,,,,
30,1,,22351-040020,, "SPRING PIN 4X20",2,2,,,,,,,,,,,,,,,,,,,,,
31,1,,26116-080304,, "BOLT M8 X 30 PLATED",2,2,,,,,,,,,,,,,,,,,,,,,
32,1,,26716-080002,, "NUT M 8",2,2,,,,,,,,,,,,,,,,,,,,,
33,1,,26716-080002,, "NUT M 8",4,4,,,,,,,,,,,,,,,,,,,,,
34,1,,172150-42600,, "ROD(RA)",1,1,,,,,,,,,,,,,,,,,,,,,
35,1,,172122-46590,, "ELBALL 8",1,1,,,,,,,,,,,,,,,,,,,,,
36,1,,172122-47250,, "BALL 8, LINK",1,1,,,,,,,,,,,,,,,,,,,,,
37,1,,22137-080000,, "WASHER 8, POLISHED",2,2,,,,,,,,,,,,,,,,,,,,,
38,1,,26051-080002,, "NUT M 8",4,4,,,,,,,,,,,,,,,,,,,,,



Fig. 23 操縦装置 (スイング) CONTROL EQUIPMENT (SWING)

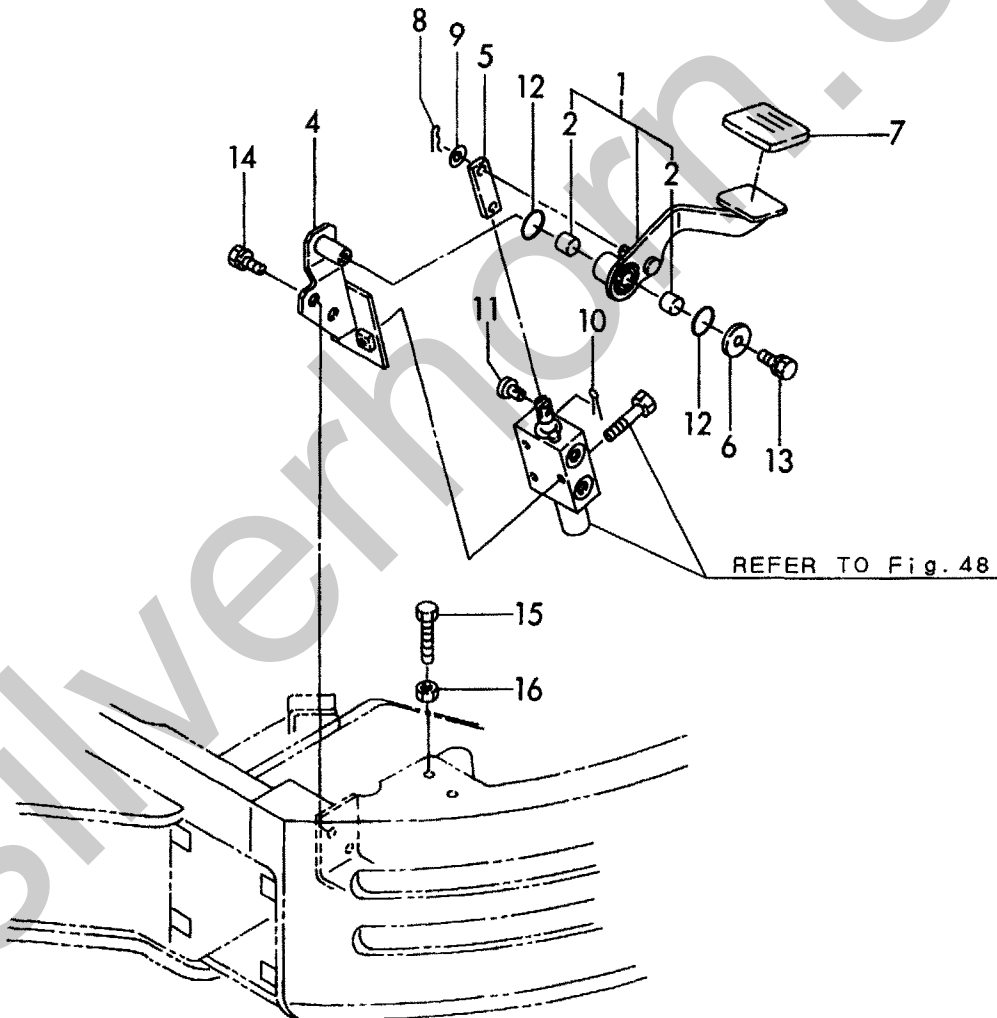
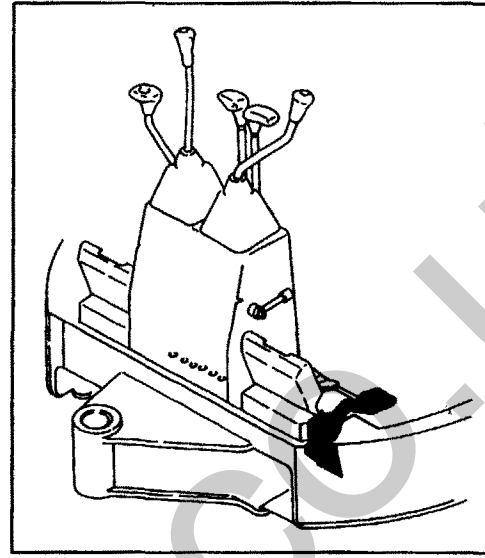


1,1,,172183-41700,, "PEDAL ASSY.,LOW-HIGH",1,1,,,,,,,,,,,,,,,,,
2,2,,172141-41360,, "BUSH 1415",2,2,,,,,,,,,,,,,,,,,
4,1,,172183-41760,, "BRACKET COMP.,LOW-HI",1,1,,,,,,,,,,,,,,,,,
5,1,,172183-41820,, "LINK,LOW-HIGH",1,1,,,,,,,,,,,,,,,,,
6,1,,1A1040-43900,, "SPRING WASHER",1,1,,,,,,,,,,,,,,,,,
7,1,,172122-45830,, "PAD, METAL",1,1,,,,,,,,,,,,,,,,,
8,1,,1C6281-52320,, "PIN 8,COME-OFF SNAP",1,1,,,,,,,,,,,,,,,,,
9,1,,22137-080000,, "WASHER 8, POLISHED",1,1,,,,,,,,,,,,,,,,,
10,1,,22417-160160,, "COTTER PIN 1.6X16",1,1,,,,,,,,,,,,,,,,,
11,1,,933110-54100,, "PIN 4.75X14",1,1,,,,,,,,,,,,,,,,,
12,1,,24311-000210,, "O-RING 1A P-21.0",2,2,,,,,,,,,,,,,,,,,
13,1,,26013-080202,, "BOLT W/WASHER M8X20",1,1,,,,,,,,,,,,,,,,,
14,1,,26013-100252,, "BOLT W/WASHER M10X25",2,2,,,,,,,,,,,,,,,,,
15,1,,26116-100504,, "BOLT M10X 50 PLATED",1,1,,,,,,,,,,,,,,,,,
16,1,,26716-100002,, "NUT 10",1,1,,,,,,,,,,,,,,,,,

Silverhorn.CO.UK

Fig. 24 操縦装置 (ローハイペダル) (旧形)
CONTROL EQUIPMENT (LOW-HIGH PEDAL) (PREVIOUS)

~M/#10500

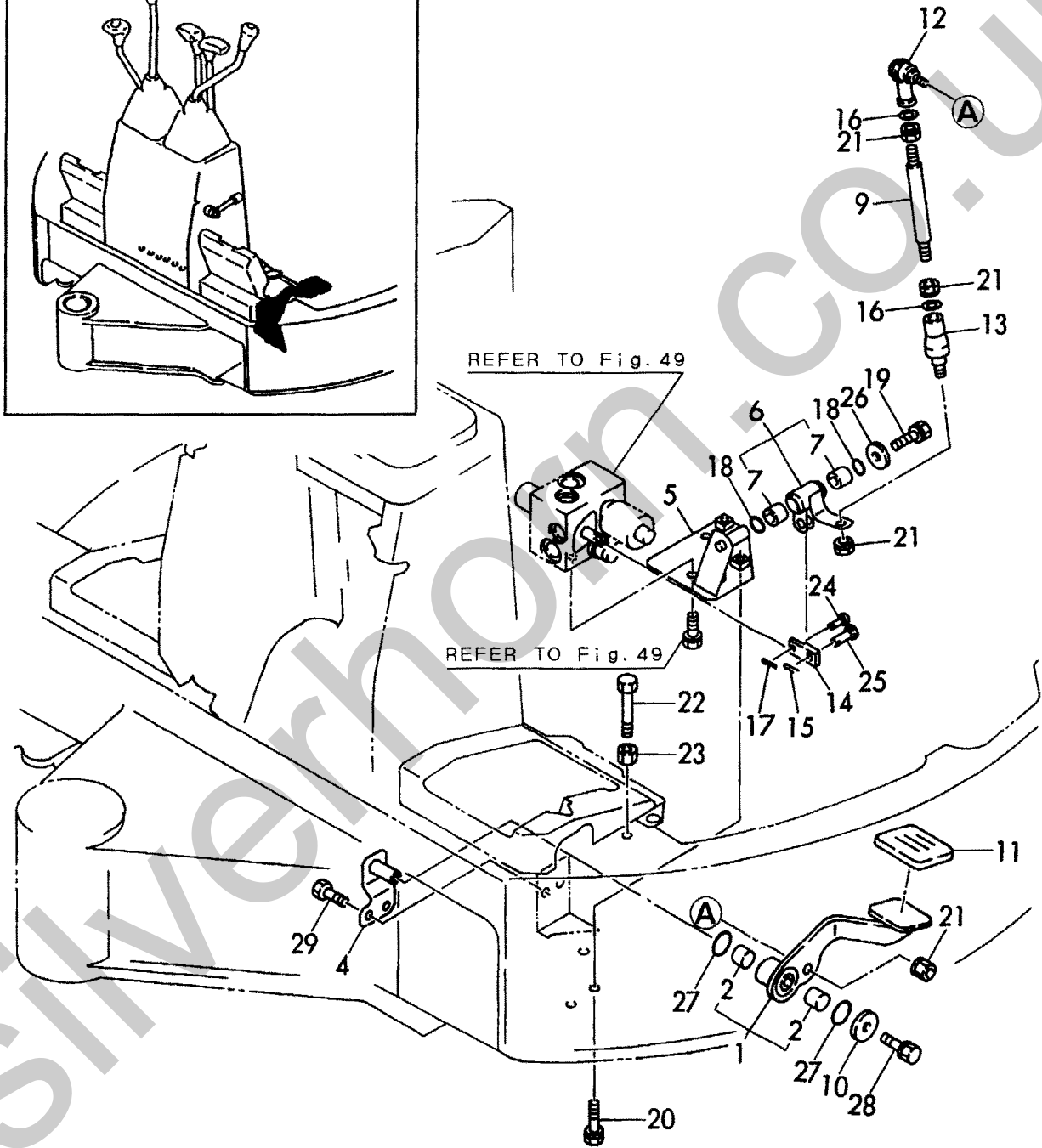
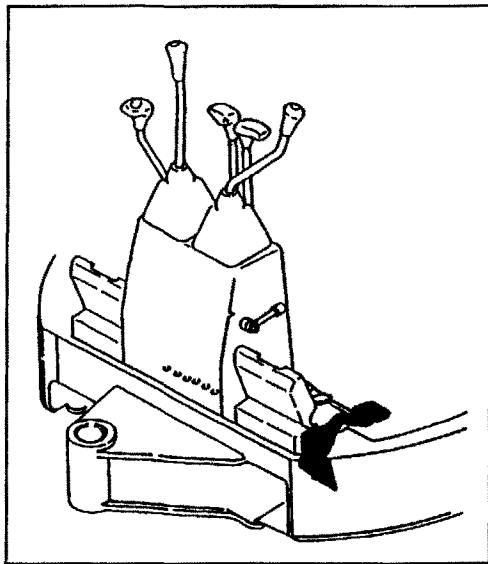


1,1,,172173-41700,,PEDAL,1,1,,,,,,,,,,,,,
2,2,,172141-41360,,,"BUSH 1415",2,2,,,,,,,,,,,,,
4,1,,172173-41760,,,"BRACKET ASSY",1,1,,,,,,,,,,,,,
5,1,,172173-41780,,,"BRACKET ASSY",1,1,,,,,,,,,,,,,
6,1,,172173-41820,,,"LINK ASSY",1,1,,,,,,,,,,,,,
7,2,,172141-41360,,,"BUSH 1415",2,2,,,,,,,,,,,,,
9,1,,172150-42600,,ROD(RA),1,1,,,,,,,,,,,,,
10,1,,1A1040-43900,,,"SPRING WASHER",1,1,,,,,,,,,,,,,
11,1,,172122-45830,,,"PAD, METAL",1,1,,,,,,,,,,,,,
12,1,,172122-46590,,,"ELBALL 8",1,1,,,,,,,,,,,,,
13,1,,172122-47250,,,"BALL 8, LINK",1,1,,,,,,,,,,,,,
14,1,,172122-47460,,,"SPOOL, 3RD",1,1,,,,,,,,,,,,,
15,1,,1C6281-52320,,,"PIN 8,COME-OFF SNAP",1,1,,,,,,,,,,,,,
16,1,,22137-080000,,,"WASHER 8, POLISHED",2,2,,,,,,,,,,,,,
17,1,,22417-160160,,,"COTTER PIN 1.6X16",1,1,,,,,,,,,,,,,
18,1,,24311-000210,,,"O-RING 1A P-21.0",2,2,,,,,,,,,,,,,
19,1,,26013-080202,,,"BOLT W/WASHER M8X20",1,1,,,,,,,,,,,,,
20,1,,26013-100302,,,"BOLT M10X 30",3,3,,,,,,,,,,,,,
21,1,,26051-080002,,,"NUT M 8",4,4,,,,,,,,,,,,,
22,1,,26116-100504,,,"BOLT M10X 50 PLATED",1,1,,,,,,,,,,,,,
23,1,,26716-100002,,,"NUT 10",1,1,,,,,,,,,,,,,
24,1,,933110-54100,,,"PIN 4.75X14",1,1,,,,,,,,,,,,,
25,1,,933171-21700,,,"PIN (B), SPOOL LINK",1,1,,,,,,,,,,,,,
26,1,,1A1040-43900,,,"SPRING WASHER",1,1,,,,,,,,,,,,,
27,1,,24311-000210,,,"O-RING 1A P-21.0",2,2,,,,,,,,,,,,,
28,1,,26013-080202,,,"BOLT W/WASHER M8X20",1,1,,,,,,,,,,,,,
29,1,,26013-100252,,,"BOLT W/WASHER M10X25",2,2,,,,,,,,,,,,,



Fig. **25** 操縦装置 (ローハイペダル) (新形, 油圧パイロット仕様)
CONTROL EQUIPMENT (LOW-HIGH PEDAL)
(NEW, HYD. OIL PILOT SPEC.)

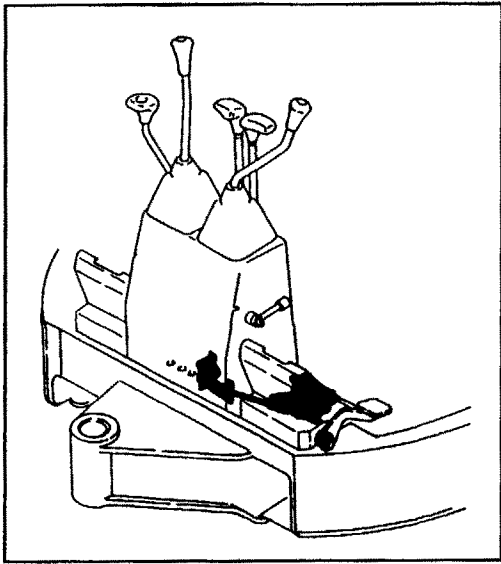
M/#10501~



1,1,,172183-74810,, "P.T.O. KIT(FRAME END",1,,,,,1,,,,,
 1-1,1,,172183-74811,, "P.T.O. KIT(FRAME
 END",1,,,,,S,1,72173038,M/#00793,,,,,
 2,2,,1C6141-35370,, "SPRING,LOCK",1,1,,,,,
 3,2,,172146-41910,, "PIN 14-100",1,1,,,,,
 4,2,,172150-42630,, "ROD(B), BUCKET",1,1,,,,,
 5,2,,1A1040-43900,, "SPRING WASHER",1,1,,,,,
 6,2,,172183-45210,, "LINK W/BUSH, PEDAL",1,1,,,,,
 7,3,,172141-41360,, "BUSH 1415",2,2,,,,,
 9,2,,172183-45240,, "BRACKET, PEDAL",1,1,,,,,
 10,2,,172157-45990,, "BOOTS, PEDAL",1,1,,,,,
 11,2,,172183-46100,, "SHAFT COMP.,P.T.O.",1,1,,,,,
 12,2,,172183-46120,, "LINK ASSY.,P.T.O.",1,1,,,,,
 13,3,,172141-41360,, "BUSH 1415",2,2,,,,,
 15,2,,172165-46281,, "PEDAL ASSY, SWING",1,1,,,,,
 16,2,,172156-46340,, "ROD, SPOOL",1,1,,,,,
 17,2,,172165-46340,, "BOLT",2,2,,,,,
 18,2,,172165-46450,, "LOCK CMP",1,1,,,,,
 19,2,,172165-46480,, "BOLT",1,1,,,,,
 20,2,,172165-46490,, "SHIM",5,5,,,,,
 21,2,,172122-46590,, "ELBALL 8",1,1,,,,,
 22,2,,172122-47250,, "BALL 8, LINK",1,1,,,,,
 23,2,,22137-080000,, "WASHER 8, POLISHED",2,2,,,,,
 24,2,,22137-080000,, "WASHER 8, POLISHED",2,2,,,,,
 25,2,,22137-120000,, "WASHER 12,POLISHED",1,1,,,,,
 26,2,,22351-040032,, "SPRING PIN 4X32",1,1,,,,,
 27,2,,22372-120000,, "SNAP PIN 12",1,1,,,,,
 28,2,,22417-160160,, "COTTER PIN 1.6X16",1,1,,,,,
 29,2,,24311-000210,, "O-RING 1A P-21.0",2,2,,,,,
 30,2,,24311-000210,, "O-RING 1A P-21.0",2,2,,,,,
 31,2,,24761-050000,, "NIPPLE C,GREASE",1,1,,,,,
 32,2,,26013-080202,, "BOLT W/WASHER M8X20",1,1,,,,,
 33,2,,26013-100202,, "BOLT W/WASHER M10X20",2,2,,,,,
 34,2,,26013-100252,, "BOLT W/WASHER M10X25",2,2,,,,,
 35,2,,26051-080002,, "NUT M 8",4,4,,,,,
 36,2,,26116-080304,, "BOLT M8 X 30 PLATED",2,2,,,,,
 37,2,,26716-080002,, "NUT M 8",2,2,,,,,
 38,2,,26716-080002,, "NUT M 8",2,2,,,,,
 39,2,,933110-54100,, "PIN 4.75X14",1,1,,,,,
 40,2,,172165-03230,, "LABEL, P.T.O.",1,,,,,
 40-1,2,,172165-03231,, "LABEL, P.T.O.",1,1,,,,,N,72164328,M/#01136,,,,,



Fig. 26 操縦装置 (PTOコントロール)
CONTROL EQUIPMENT (P. T. O. CONTROL)



PTOキット (フレームエンド)
P. T. O. KIT (FRAME END)
(172183-74810)
Fig. 26 REF. No. 1
(172183-74811)
Fig. 26 REF. No. 1-1
inc. Fig. 26 REF. No. 2 ~ 40
Fig. 58 REF. No. 1 ~ 17

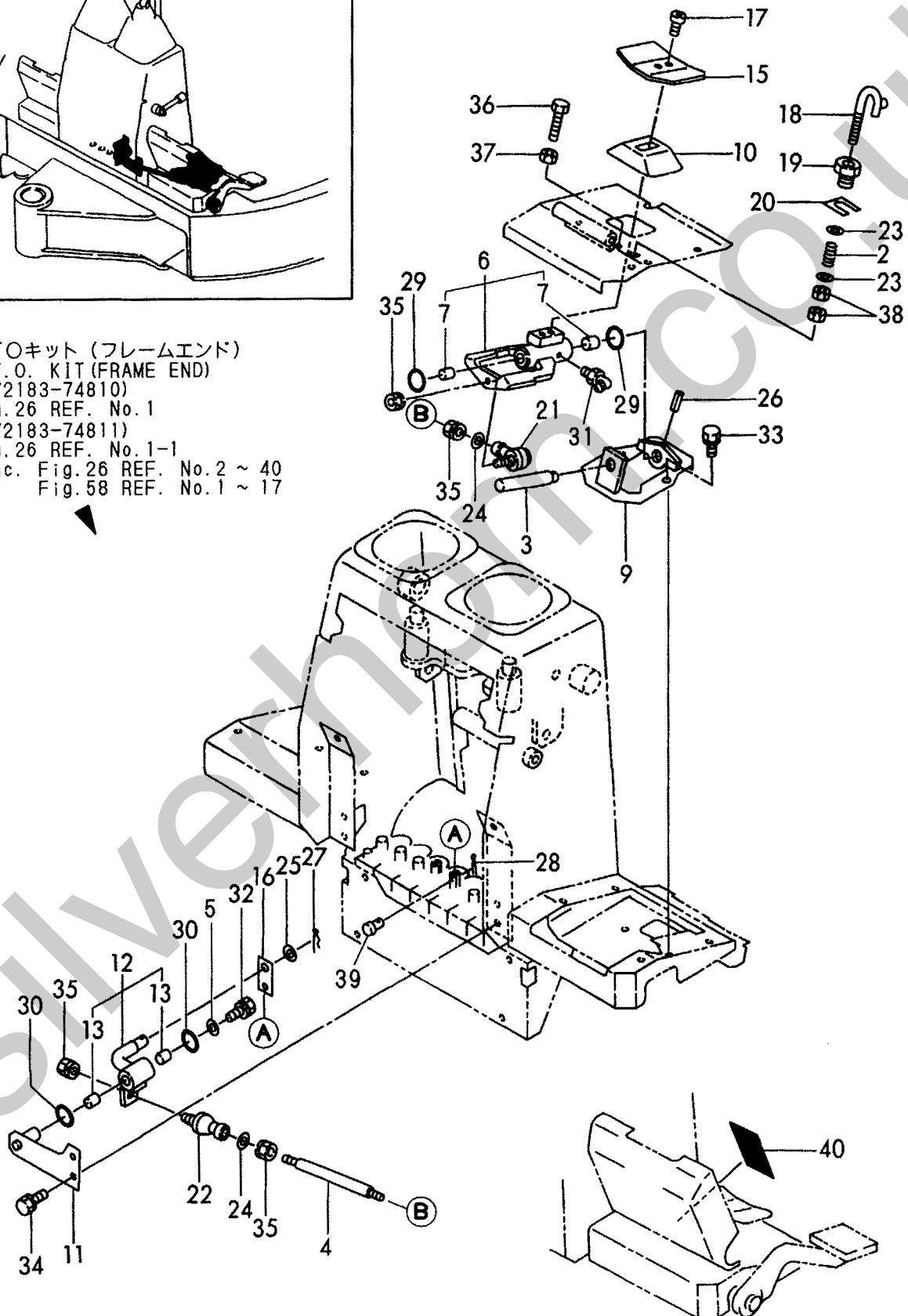
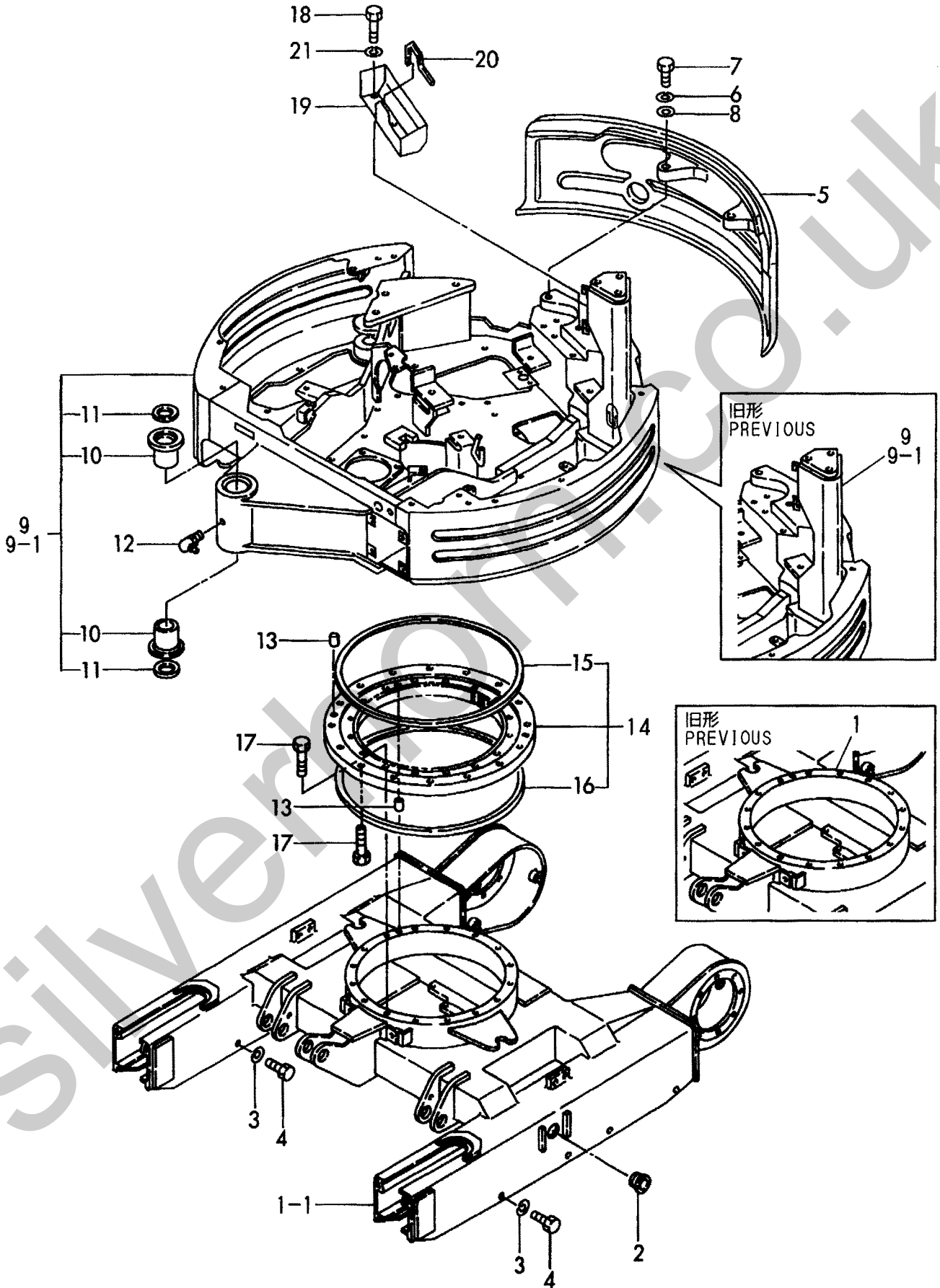


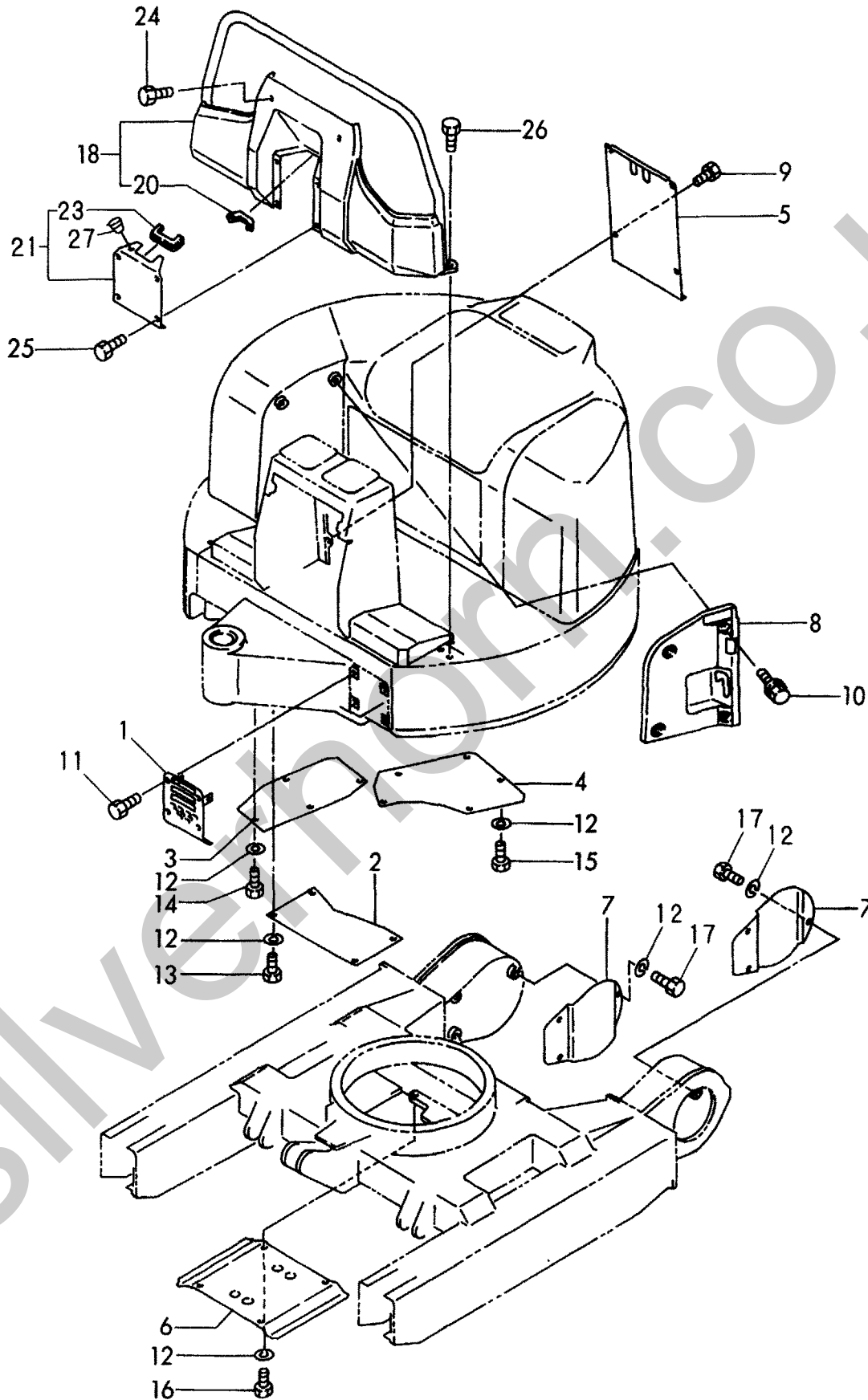
Fig. 27 フレーム&回転ベアリング
FRAME & TURNING BEARING



1,1,,172183-61100,, "COVER COMP.,LAMP",1,1,,,,,,,,,,,,,
2,1,,172183-61140,, "COVER,CV",1,1,,,,,,,,,,,,,
3,1,,172183-61150,, "COVER,RESERVOIR",1,1,,,,,,,,,,,,,
4,1,,172183-61160,, "COVER,SILENCER",1,1,,,,,,,,,,,,,
5,1,,172183-61170,, "COVER,STAND",1,1,,,,,,,,,,,,,
6,1,,172183-61180,, "COVER,UNDER",1,1,,,,,,,,,,,,,
6-1,1,,172183-61180-
1,, "COVER,UNDER",1,1,,,,,R,,72183222,M/#10501,72183222,M/#10501,,,,,
7,1,,172183-61190,, "COVER,TRAVEL",2,2,,,,,,,,,,,,,
7-1,1,,172183-61190-
1,, "COVER,TRAVEL",2,2,,,,,R,,72183222,M/#10501,72183222,M/#10501,,,,,
8,1,,172183-61200,, "COVER COMP.,RESERV.",1,1,,,,,,,,,,,,,
9,1,,172519-63240,, "BOLT 8X 16",4,4,,,,,,,,,,,,,
10,1,,172519-63240,, "BOLT 8X 16",4,4,,,,,,,,,,,,,
11,1,,172519-63240,, "BOLT 8X 16",4,4,,,,,,,,,,,,,
12,1,,22217-100000,, "SPRING WASHER 10",23,23,,,,,,,,,,,,,
13,1,,26116-100162,, "BOLT M10X 16 PLATED",4,4,,,,,,,,,,,,,
14,1,,26116-100162,, "BOLT M10X 16 PLATED",4,4,,,,,,,,,,,,,
15,1,,26116-100162,, "BOLT M10X 16 PLATED",5,5,,,,,,,,,,,,,
16,1,,26116-100202,, "BOLT M10X 20 PLATED",4,4,,,,,,,,,,,,,
17,1,,26116-100202,, "BOLT M10X 20 PLATED",6,6,,,,,,,,,,,,,
18,1,,172183-61370,, "COVER ASSY.,FRONT",1,1,,,,,,,,,,,,,
20,2,,172183-61360,, "RUBBER,EDGE",1,1,,,,,,,,,,,,,
21,1,,172183-61380,, "COVER ASSY.",1,1,,,,,,,,,,,,,
23,2,,172183-61350,, "RUBBER,EDGE",1,1,,,,,,,,,,,,,
24,1,,172519-63240,, "BOLT 8X 16",2,2,,,,,,,,,,,,,
25,1,,172519-63240,, "BOLT 8X 16",4,4,,,,,,,,,,,,,
26,1,,26013-120302,, "BOLT W/WASHER M12X30",2,2,,,,,,,,,,,,,
27,1,,933168-56000,, "GROMMET 17X 9",1,1,,,,,,,,,,,,,



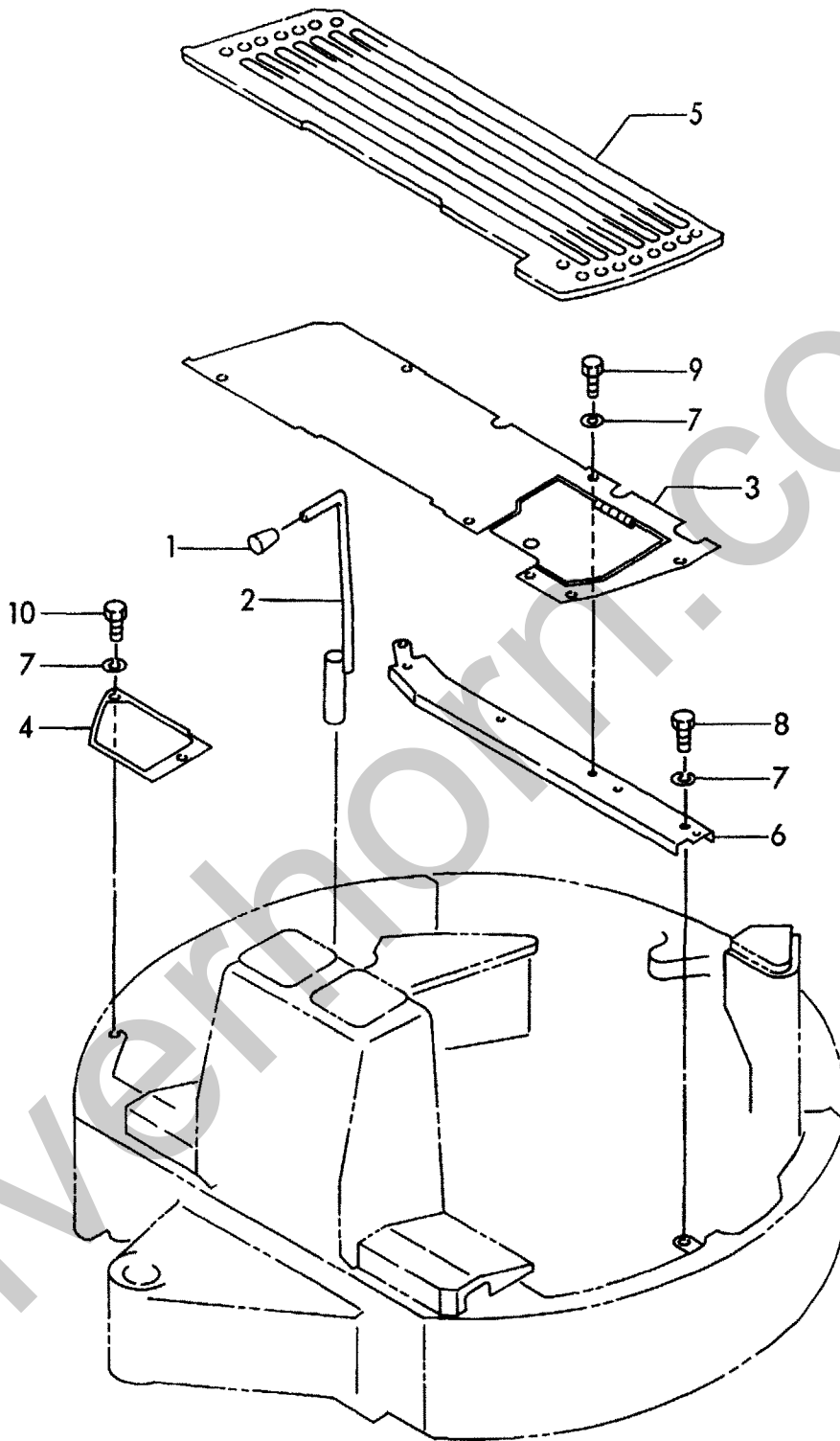
Fig. 28 フレームカバー
FRAME COVER



1,1,,172116-46630,, "KNOB, LOCK LEVER",1,1,,,,,,,,,,,,,
2,1,,172183-58800,, "PIN COMP., LOCK",1,1,,,,,,,,,,,,,
3,1,,172183-62100,, "STEP COMPL.",1,1,,,,,,,,,,,,,
4,1,,172183-62170,, "STEP COMP., NS SIDE",1,1,,,,,,,,,,,,,
5,1,,172183-62250,, "MAT, FLOOR",1,1,,,,,,,,,,,,,
6,1,,172183-62270,, "BAR COMP., STEP",1,1,,,,,,,,,,,,,
7,1,,22217-100000,, "SPRING WASHER 10",9,9,,,,,,,,,,,,,
8,1,,26116-100202,, "BOLT M10X 20 PLATED",2,2,,,,,,,,,,,,,
9,1,,26116-100202,, "BOLT M10X 20 PLATED",5,5,,,,,,,,,,,,,
10,1,,26116-100202,, "BOLT M10X 20 PLATED",2,2,,,,,,,,,,,,,

Silverhorn.CO.UK

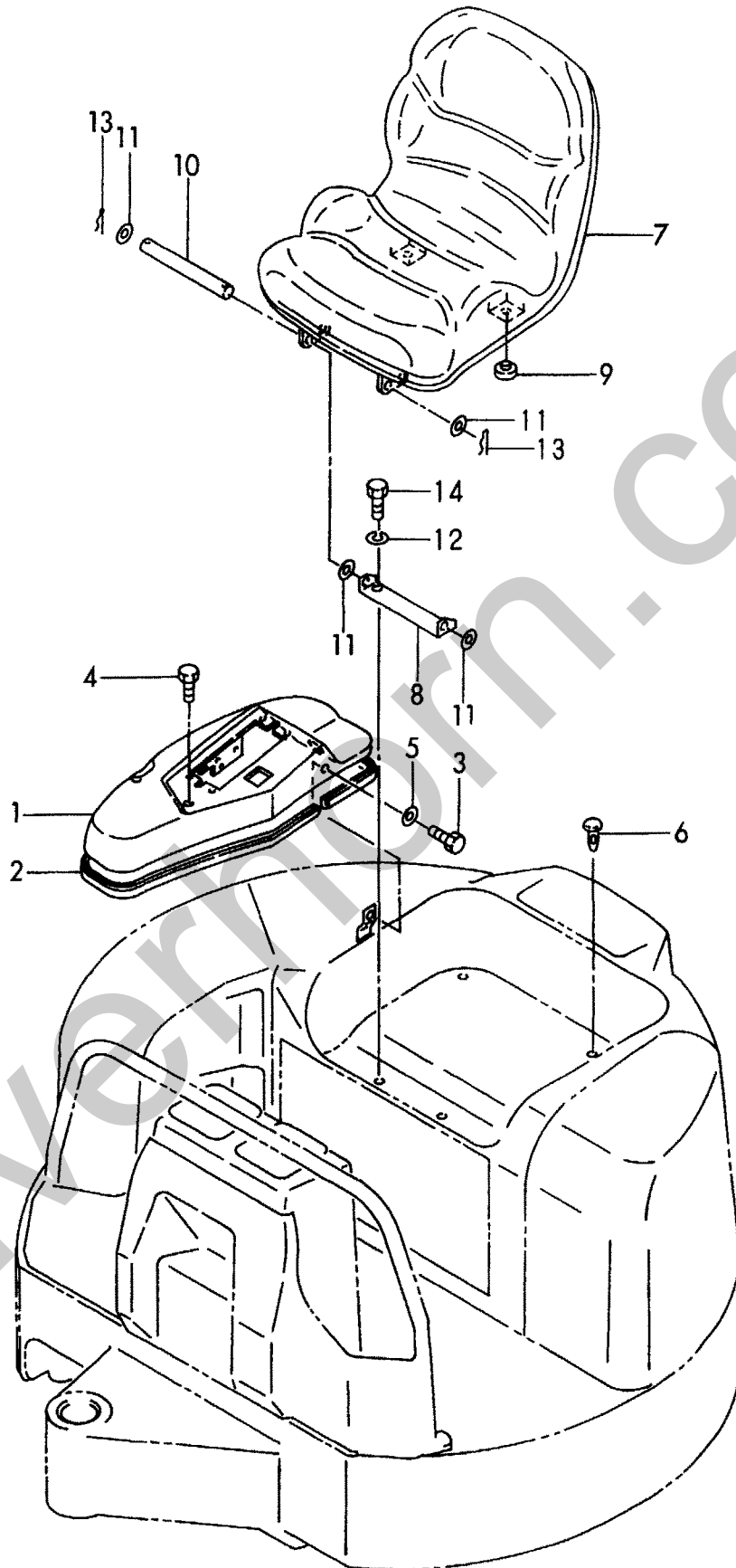
Fig. **29** ステップ&回転ロックピン
STEP & TURNING LOCK PIN



1,1,,172183-63100,, "PANEL COMP., INSTRMNT",1,1,,,,,,,,,,,,,
2,1,,172183-63140,, "MOLDINGS, INSTRUMENT",1,,,,,,,,,,,,,
2-1,1,,172183-63141,, "MOLDINGS,
INSTRUMENT",1,1,,,,,N,,72183135,M/#00962,,,,,,,,,,,,,
3,1,,172519-63240,, "BOLT 8X 16",1,1,,,,,,,,,,,,,
4,1,,172519-63240,, "BOLT 8X 16",2,2,,,,,,,,,,,,,
5,1,,22157-080000,, "WASHER 8",1,1,,,,,,,,,,,,,
6,1,,172122-17190,, CLIP,2,2,,,,,,,,,,,,,
7,1,,172156-64201,, SEAT,1,1,,,,,,,,,,,,,
8,1,,172183-64210,, "BRACKET, OP. SEAT",1,1,,,,,,,,,,,,,
9,1,,172141-64370,, "CUSHION, SEAT",2,2,,,,,,,,,,,,,
10,1,,172156-64420,, PIN,1,1,,,,,,,,,,,,,
11,1,,22190-080003,, "SEAL WASER 8",4,4,,,,,,,,,,,,,
12,1,,22217-080000,, "SPRING WASHER 8",2,2,,,,,,,,,,,,,
13,1,,22372-080000,, "SNAP PIN (JASO 8)",2,2,,,,,,,,,,,,,
14,1,,26116-080162,, "BOLT 8X16",2,2,,,,,,,,,,,,,

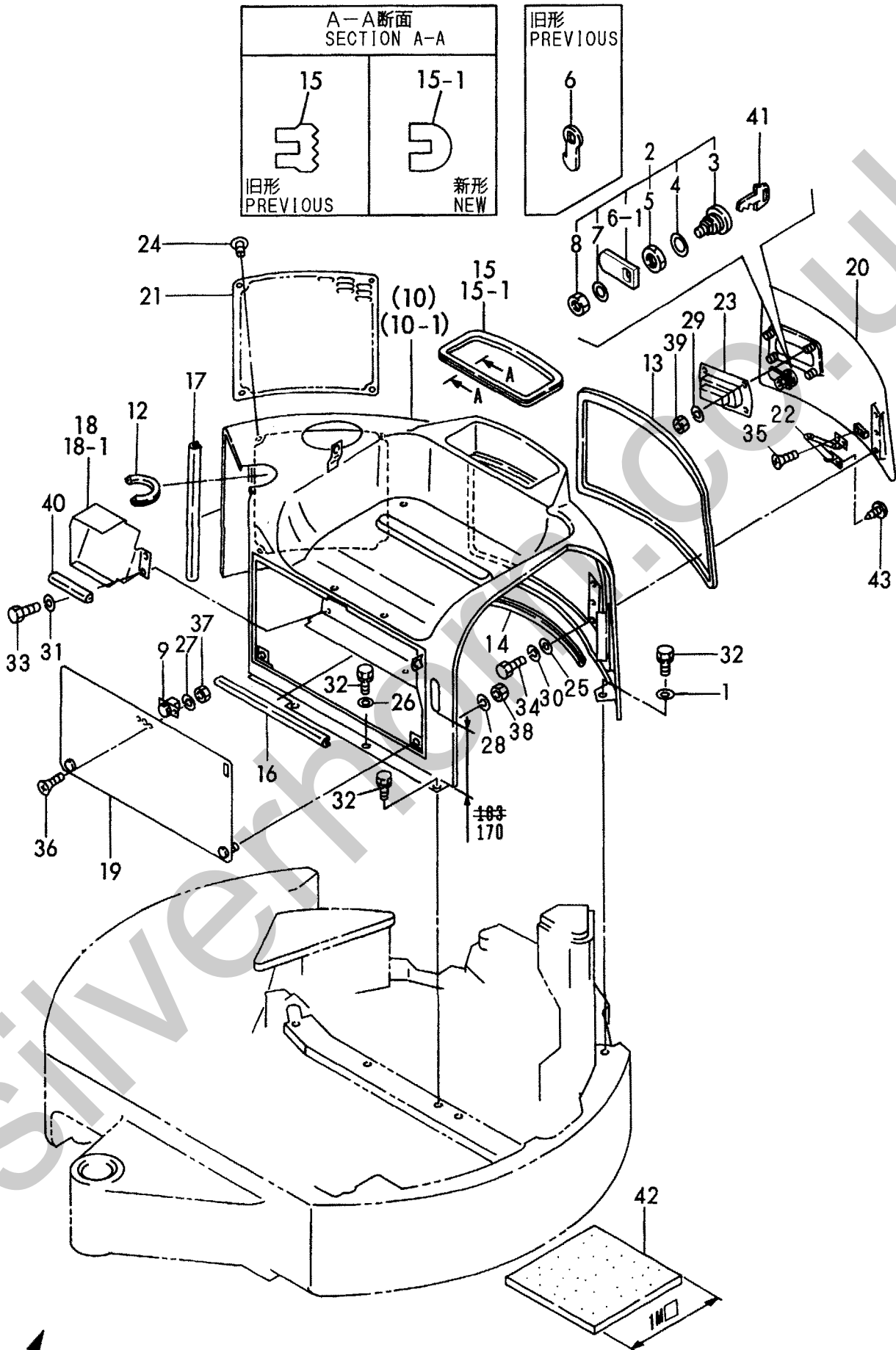
Silverhorn.CO.UK

Fig. **30** シート&インパネ
SEAT & INSTRUMENT PANEL



1,1,,194145-04810,, "WASHER 10",2,2,,,,,,,,,,,,,,,,,,,,,
 2,1,,172122-05410,, "KEY ASSY",1,1,,,,,,,,,,,,,,,,,,,,,
 3,2,,172122-05420,, "KEY",1,1,,,,,,,,,,,,,,,,,,,,,
 4,2,,172122-05430,, "WASHER 31X4",1,1,,,,,,,,,,,,,,,,,,,,,
 5,2,,172122-05440,, "NUT 30X1.5X4.5",1,1,,,,,,,,,,,,,,,,,,,,,
 6,2,,172122-05450,, "PLATE 21, LOCK",1,,,,,,,,,,,,,,,,,,,,,
 6-1,2,,172183-65570,, "LOCK",1,1,,,,,N,,72183201,M/#01918,,,,,
 7,2,,22137-100000,, "WASHER 10,POLISHED",1,1,,,,,,,,,,,,,,,,,,,,,
 8,2,,26346-100002,, "U-NUT M10 PLATED",1,1,,,,,,,,,,,,,,,,,,,,,
 9,1,,172212-61230,, "FASTENER, DIAL",1,1,,,,,,,,,,,,,,,,,,,,,
 10,1,,172183-65100,, "BONNET ASSY.",1,,,,,,,,,,,,,,,,,,,,,
 10-1,1,,172183-65101,, "BONNET ASSY.",1,1,,,,,S,,72183136,M/#00884,,,,,
 12,2,,172519-65300,, "RUBBER",1,1,,,,,,,,,,,,,,,,,,,,,
 12-1,2,,172164-45870,, "SEAL 155,
 RUBBER",1,1,,,,,N,,72183246,M/#15167,72183246,M/#15167,,,,,I
 13,2,,172183-65520,, "RUBBER 1340,SEAL",1,1,,,,,,,,,,,,,,,,,,,,,
 14,2,,172183-65530,, "RUBBER 815,SEAL",1,1,,,,,,,,,,,,,,,,,,,,,
 15,2,,172183-65540,, "SEAL,CANOPY",1,,,,,,,,,,,,,,,,,,,,,
 15-1,2,,172183-65541,, "SEAL,CANOPY",1,1,,,,,N,,72183148,M/#00948,,,,,
 16,2,,172164-66480,, "RUBBER 340, SEAL",1,1,,,,,,,,,,,,,,,,,,,,,
 17,2,,172183-65560,, "RUBBER 390,SEAL",1,1,,,,,,,,,,,,,,,,,,,,,
 18,1,,172183-65370,, "PLATE,GREASE GUN",1,,,,,,,,,,,,,,,,,,,,,
 18-1,1,,172183-65371,, "PLATE,GREASE GUN",1,1,,,,,N,,72183138,M/#00884,,,,,
 19,1,,172183-65401,, "COVER COMP.,B.F",1,1,,,,,,,,,,,,,,,,,,,,,
 20,1,,172183-65430,, "COVER ASSY.,B.R",1,1,,,,,,,,,,,,,,,,,,,,,
 21,1,,172183-65440,, "GRILLE,WIND DISCHRG.",1,1,,,,,,,,,,,,,,,,,,,,,
 22,1,,172183-65500,, "LOCK,DOOR",1,1,,,,,,,,,,,,,,,,,,,,,
 23,1,,172146-65750,, "COVER, LOCK",1,1,,,,,,,,,,,,,,,,,,,,,
 24,1,,172519-63240,, "BOLT 8X 16",4,4,,,,,,,,,,,,,,,,,,,,,
 25,1,,22137-080000,, "WASHER 8, POLISHED",3,3,,,,,,,,,,,,,,,,,,,,,
 26,1,,22137-100000,, "WASHER 10,POLISHED",1,1,,,,,,,,,,,,,,,,,,,,,
 27,1,,22217-050000,, "SPRING WASHER 5",2,2,,,,,,,,,,,,,,,,,,,,,
 28,1,,22217-080000,, "SPRING WASHER 8",2,2,,,,,,,,,,,,,,,,,,,,,
 29,1,,22217-080000,, "SPRING WASHER 8",4,4,,,,,,,,,,,,,,,,,,,,,
 30,1,,22217-080000,, "SPRING WASHER 8",3,3,,,,,,,,,,,,,,,,,,,,,
 31,1,,22217-080000,, "SPRING WASHER 8",2,2,,,,,,,,,,,,,,,,,,,,,
 32,1,,26013-100302,, "BOLT M10X 30",5,5,,,,,,,,,,,,,,,,,,,,,
 33,1,,26116-080162,, "BOLT 8X16",2,2,,,,,,,,,,,,,,,,,,,,,
 34,1,,26116-080202,, "BOLT M 8X 20 PLATED",3,3,,,,,,,,,,,,,,,,,,,,,
 35,1,,26577-030062,, "SCREW M3X6,FLUSH HD.",2,2,,,,,,,,,,,,,,,,,,,,,
 36,1,,26577-050122,, "SCREW M 5X 12",2,2,,,,,,,,,,,,,,,,,,,,,
 37,1,,26716-050002,, "NUT M 5",2,2,,,,,,,,,,,,,,,,,,,,,
 38,1,,26716-080002,, "NUT M 8",2,2,,,,,,,,,,,,,,,,,,,,,
 39,1,,26716-080002,, "NUT M 8",4,4,,,,,,,,,,,,,,,,,,,,,
 40,1,,172164-66650,, "RUBBER, SEAL 95",1,1,,,,,,,,,,,,,,,,,,,,,
 41,1,,933110-00301,, "KEY ASSY",1,1,,,,,,,,,,,,,,,,,,,,,
 42,1,,933171-20390,, "LIGHT, EVER",1,1,,,,,,,,,,,,,,,,,,,,,
 43,1,,22867-300080,, "SCREW 3X 8",2,2,,,,,,,,,,,,,,,,,,,,,

Fig. 31 ボンネット
BONNET



見出しNo. 10, 10-1は、見出しNo. (10), (10-1) から17を含みます。
10, 10-1inc. (10), (10-1) ~ 17

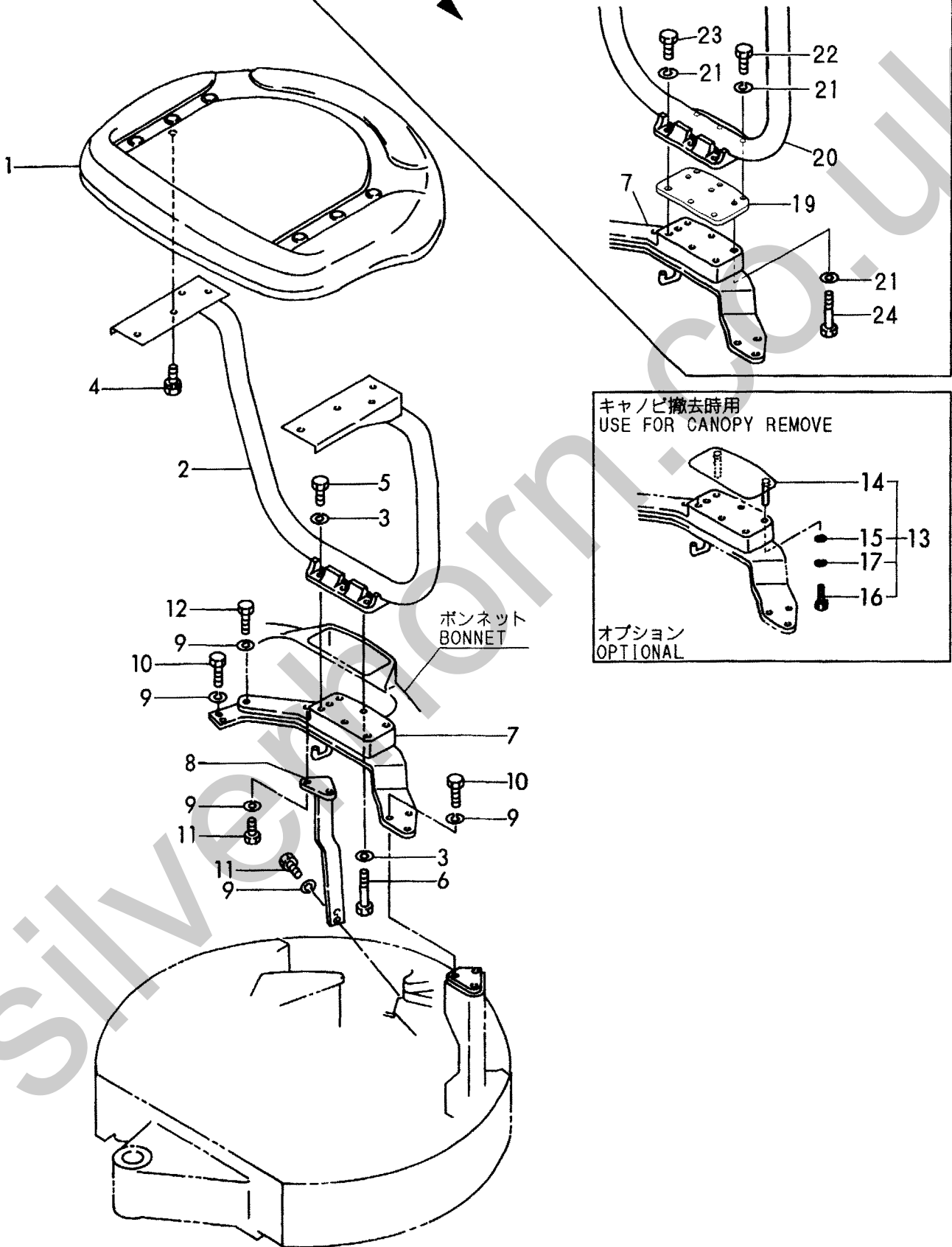
1,1,,172164-68100,, "ROOF,CANOPY(GREEN:96",1,1,,,,,,,,,,,,,
1-1,1,,172423-
68100,, "ROOF,CANOPY",1,1,,,,,R,,72423011,M/#10501,72423011,M/#10501,,,,,
2,1,,172183-68100,, "POLE COMP.,CANOPY",1,1,,,,,,,,,,,,,
2-1,1,,172183-68100-1,, "POLE
ASSY.,CANOPY",1,1,,,,,R,,72423011,M/#10501,72423011,M/#10501,,,,,
3,1,,22217-160000,, "SPRING WASHER 16",6,6,,,,,,,,,,,,,
4,1,,26013-120302,, "BOLT W/WASHER M12X30",6,6,,,,,,,,,,,,,
5,1,,26116-160402,, "BOLT M16X 40 PLATED",3,3,,,,,,,,,,,,,
6,1,,26116-160952,, "BOLT M16X 95 PLATED",3,3,,,,,,,,,,,,,
7,1,,172183-68200,, "BASE COMP.,CANOPY",1,,,,,,,,,,,,,
7-1,1,,172183-68201,, "BASE COMP.,CANOPY",1,1,,,,,N,,72183125,M/#00689,,,,,
7-2,1,,172183-68201-1,, "BASE
ASSY.,CANOPY",1,1,,,,,R,,*,M/#10501,*,M/#10501,,,,,
8,1,,172183-68260,, "STEP COMP.,CANOPY",1,1,,,,,,,,,,,,,
9,1,,22217-160000,, "SPRING WASHER 16",10,10,,,,,,,,,,,,,
10,1,,26116-160402,, "BOLT M16X 40 PLATED",5,5,,,,,,,,,,,,,
11,1,,26116-160402,, "BOLT M16X 40 PLATED",4,4,,,,,,,,,,,,,
12,1,,26116-160552,, "BOLT M16X 55 PLATED",1,1,,,,,,,,,,,,,
13,1,,172183-68340,, "COVER KIT",1,,,,,1,,,,,,,,,,,,,
14,2,,172183-68350,, "COVER ASSY",1,,,,,1,,,,,,,,,,,,,
15,2,,1A1040-46460,, "WASHER 10X33X4.5",2,,,,,1,,,,,,,,,,,,,
16,2,,26116-100202,, "BOLT M10X 20 PLATED",2,,,,,1,,,,,,,,,,,,,
17,2,,22217-100000,, "SPRING WASHER 10",2,,,,,1,,,,,,,,,,,,,
18,1,,172183-08400,, "CANOPY KIT",1,,,,,1,,,,,,,,,,,,,
19,2,,172183-68910,, "PLATE ASSY,CANOPY",1,,,,,1,,,,,,,,,,,,,
20,2,,172183-68950,, "POLE ASSY,CANOPY",1,,,,,1,,,,,,,,,,,,,
21,2,,22217-160000,, "SPRING WASHER 16",9,,,,,1,,,,,,,,,,,,,
22,2,,26116-160352,, "BOLT M16X 35 PLATED",3,,,,,1,,,,,,,,,,,,,
23,2,,26116-160652,, "BOLT M16X 65 PLATED",3,,,,,1,,,,,,,,,,,,,
24,2,,26116-161002,, "BOLT M16X100 PLATED",3,,,,,1,,,,,,,,,,,,,



Fig. 32 キャノピ
CANOPY

オプション
OPTIONAL

見出しNo. 18は、見出しNo. 19から24を含みます。
18 inc. 19 ~ 24

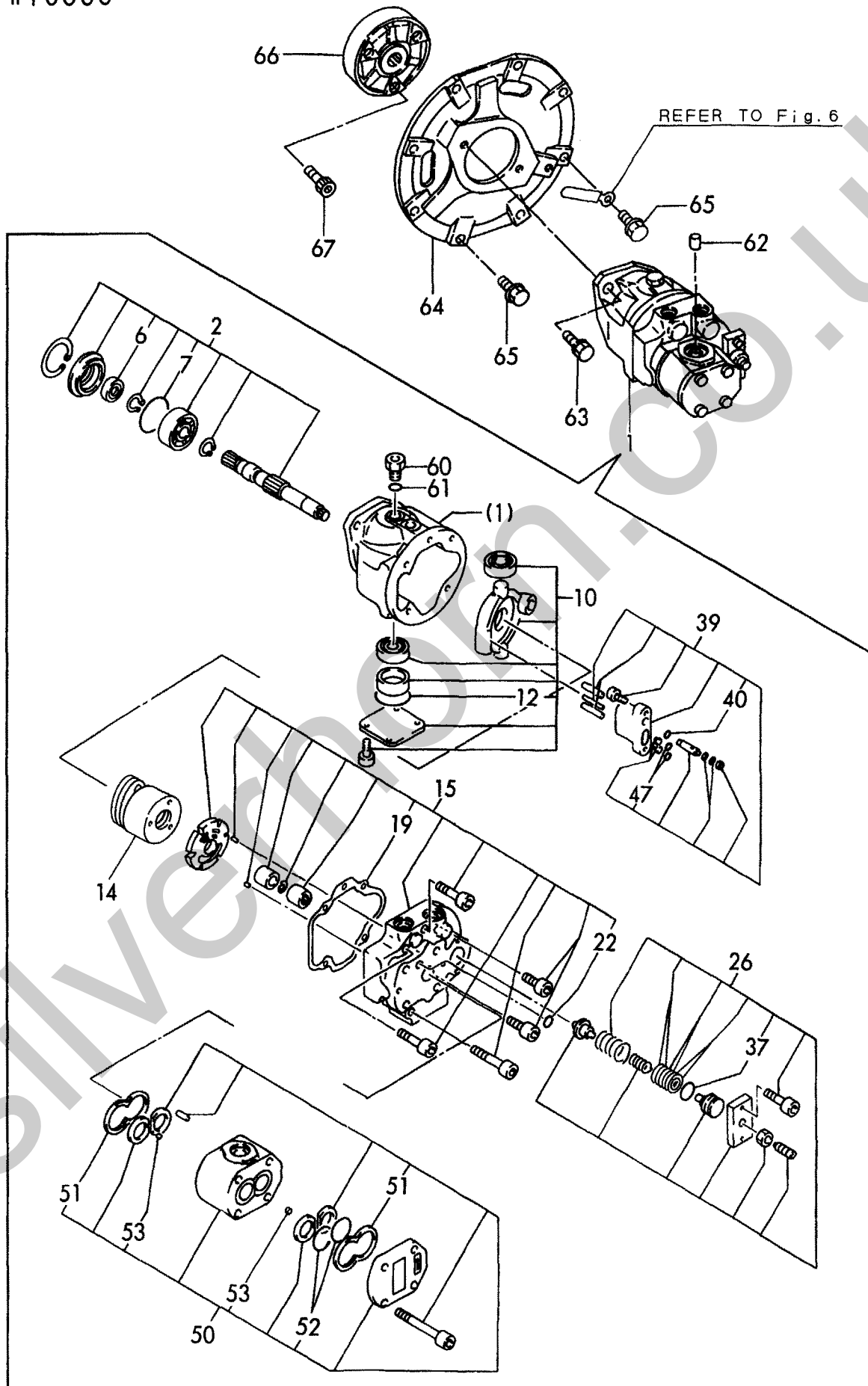


1,1,,172179-73100,, "HYD.PUMP ASSY",1,1,,,,,,,,,,,,,,,,,,,,,
2,2,,172179-73110,, SHAFT.,1,1,,,,,,,,,,,,,,,,,,,,,
6,3,,172179-73230,, "SEAL TC13 28 7, OIL",1,1,,,,,,,,,,,,,,,,,,,,,
7,3,,172179-73240,, "GASKET,JOINT",1,1,,,,,,,,,,,,,,,,,,,,,
10,2,,172179-73120,, "HANGER COMPL.",1,1,,,,,,,,,,,,,,,,,,,,,
12,3,,24321-000450,, "O-RING 1A G-45.0",1,1,,,,,,,,,,,,,,,,,,,,,
14,2,,172179-73130,, "ROTORY SET",1,1,,,,,,,,,,,,,,,,,,,,,
15,2,,172179-73140,, "COVER, AIR CLEANER",1,1,,,,,,,,,,,,,,,,,,,,,
19,3,,172179-73280,, GASKET,1,1,,,,,,,,,,,,,,,,,,,,,
22,3,,24315-000080,, "O-RING 1B P-8.0",1,1,,,,,,,,,,,,,,,,,,,,,
26,2,,172179-73150,, "SPRING COMP.,CONTROL",1,1,,,,,,,,,,,,,,,,,,,,,
37,3,,24311-000260,, "O-RING 1A P-26.0",1,1,,,,,,,,,,,,,,,,,,,,,
39,2,,172179-73160,, "PISTON COMP.,CONTROL",1,1,,,,,,,,,,,,,,,,,,,,,
40,3,,172168-71510,, O-RING,1,1,,,,,,,,,,,,,,,,,,,,,
47,3,,172179-73540,, O-RING,2,2,,,,,,,,,,,,,,,,,,,,,
50,2,,172179-73170,, "PUMP ASSY, HYDL.OIL",1,1,,,,,,,,,,,,,,,,,,,,,
51,3,,172141-71520,, RING,2,2,,,,,,,,,,,,,,,,,,,,,
52,3,,172141-71550,, O-RING,2,2,,,,,,,,,,,,,,,,,,,,,
53,3,,172141-71560,, RING,2,2,,,,,,,,,,,,,,,,,,,,,
60,2,,172179-73190,, BUSHING,1,1,,,,,,,,,,,,,,,,,,,,,
61,2,,24315-000140,, "O-RING 1B P-14.0",1,1,,,,,,,,,,,,,,,,,,,,,
62,1,,172164-73110,, VALVE,1,1,,,,,,,,,,,,,,,,,,,,,
63,1,,26013-120252,, "BOLT M12X 25",2,2,,,,,,,,,,,,,,,,,,,,,
64,1,,172183-71100,, "MOUNT,PUMP",1,1,,,,,,,,,,,,,,,,,,,,,
65,1,,26013-100252,, "BOLT W/WASHER M10X25",8,8,,,,,,,,,,,,,,,,,,,,,
66,1,,172179-71200,, "COUPLING,PUMP",1,1,,,,,,,,,,,,,,,,,,,,,
67,1,,26450-100352,, "BOLT M10X 35",3,3,,,,,,,,,,,,,,,,,,,,,

Silverhorn.CO.UK

Fig. 33 油圧ポンプ&軸継手 (旧形)
HYD. OIL PUMP & JOINT (PREVIOUS)

~M/#10500

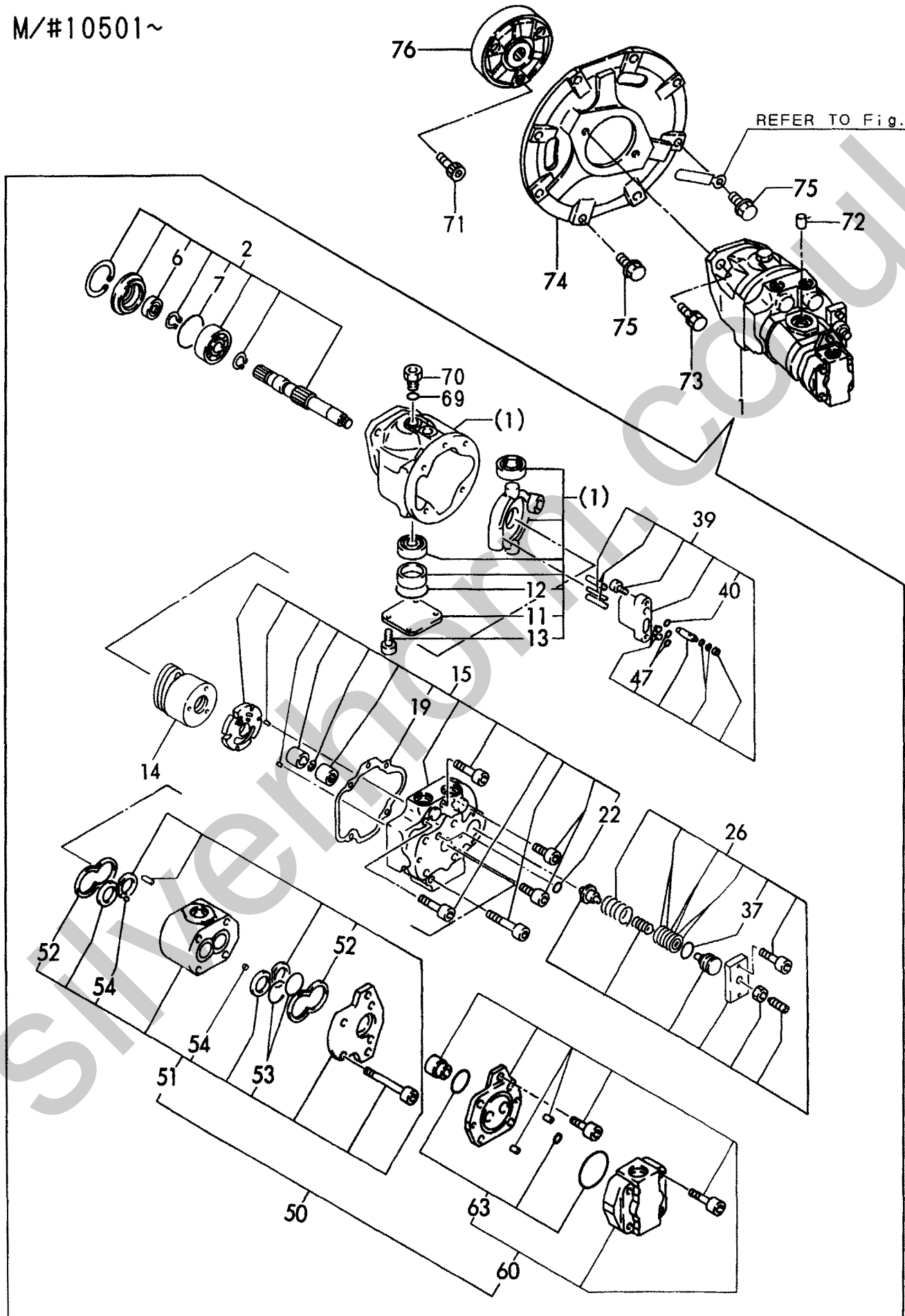


1,1,,172173-73100,, "HYD.PUMP ASSY",1,1,,,,,,,,,,,,,
 2,2,,172179-73110,, SHAFT.,1,1,,,,,,,,,,,,,
 6,3,,172179-73230,, "SEAL TC13 28 7, OIL",1,1,,,,,,,,,,,,,
 7,3,,172179-73240,, "GASKET,JOINT",1,1,,,,,,,,,,,,,
 11,2,,172179-73250,, COVER,1,1,,,,,,,,,,,,,
 12,2,,24321-000450,, "O-RING 1A G-45.0",1,1,,,,,,,,,,,,,
 13,2,,26450-060122,, "BOLT M 6X 12",4,4,,,,,,,,,,,,,
 14,2,,172179-73130,, "ROTORY SET",1,1,,,,,,,,,,,,,
 15,2,,172179-73140,, "COVER, AIR CLEANER",1,1,,,,,,,,,,,,,
 19,3,,172179-73280,, GASKET,1,1,,,,,,,,,,,,,
 22,3,,24315-000080,, "O-RING 1B P-8.0",1,1,,,,,,,,,,,,,
 26,2,,172179-73150,, "SPRING COMP.,CONTROL",1,1,,,,,,,,,,,,,
 37,3,,24311-000260,, "O-RING 1A P-26.0",1,1,,,,,,,,,,,,,
 39,2,,172179-73160,, "PISTON COMP.,CONTROL",1,1,,,,,,,,,,,,,
 40,3,,172168-71510,, O-RING,1,1,,,,,,,,,,,,,
 47,3,,172179-73540,, O-RING,2,2,,,,,,,,,,,,,
 50,2,,172173-73110,, "PUMP ASSY, HYDL.OIL",1,1,,,,,,,,,,,,,
 51,3,,172173-73120,, "PUMP ASSY, GEAR",1,1,,,,,,,,,,,,,
 52,4,,172141-71520,, RING,2,2,,,,,,,,,,,,,
 53,4,,172141-71550,, O-RING,2,2,,,,,,,,,,,,,
 54,4,,172141-71560,, RING,2,2,,,,,,,,,,,,,
 60,3,,172168-71300,, "PUMP, HYD. OIL",1,1,,,,,,,,,,,,,
 63,4,,172164-73250,, "O-RING ASSY",1,1,,,,,,,,,,,,,
 69,2,,24315-000140,, "O-RING 1B P-14.0",1,1,,,,,,,,,,,,,
 70,2,,172179-73190,, BUSHING,1,1,,,,,,,,,,,,,
 71,1,,26450-100352,, "BOLT M10X 35",3,3,,,,,,,,,,,,,
 72,1,,172164-73110,, VALVE,1,1,,,,,,,,,,,,,
 73,1,,26013-120252,, "BOLT M12X 25",2,2,,,,,,,,,,,,,
 74,1,,172183-71100,, "MOUNT,PUMP",1,1,,,,,,,,,,,,,
 74-1,1,,172183-71101,, "MOUNT,PUMP
 (GRAY:72)",1,1,,,,,N,,72183249,*2001.08,72183249,*2001.08,,,,,,I
 75,1,,26013-100252,, "BOLT W/WASHER M10X25",8,8,,,,,,,,,,,,,
 76,1,,172179-71200,, "COUPLING,PUMP",1,1,,,,,,,,,,,,,



Fig. **34** 油圧ポンプ&軸継手 (新形, 油圧パイロット仕様)
 HYD. OIL PUMP & JOINT (NEW, HYD. OIL PILOT SPEC.)

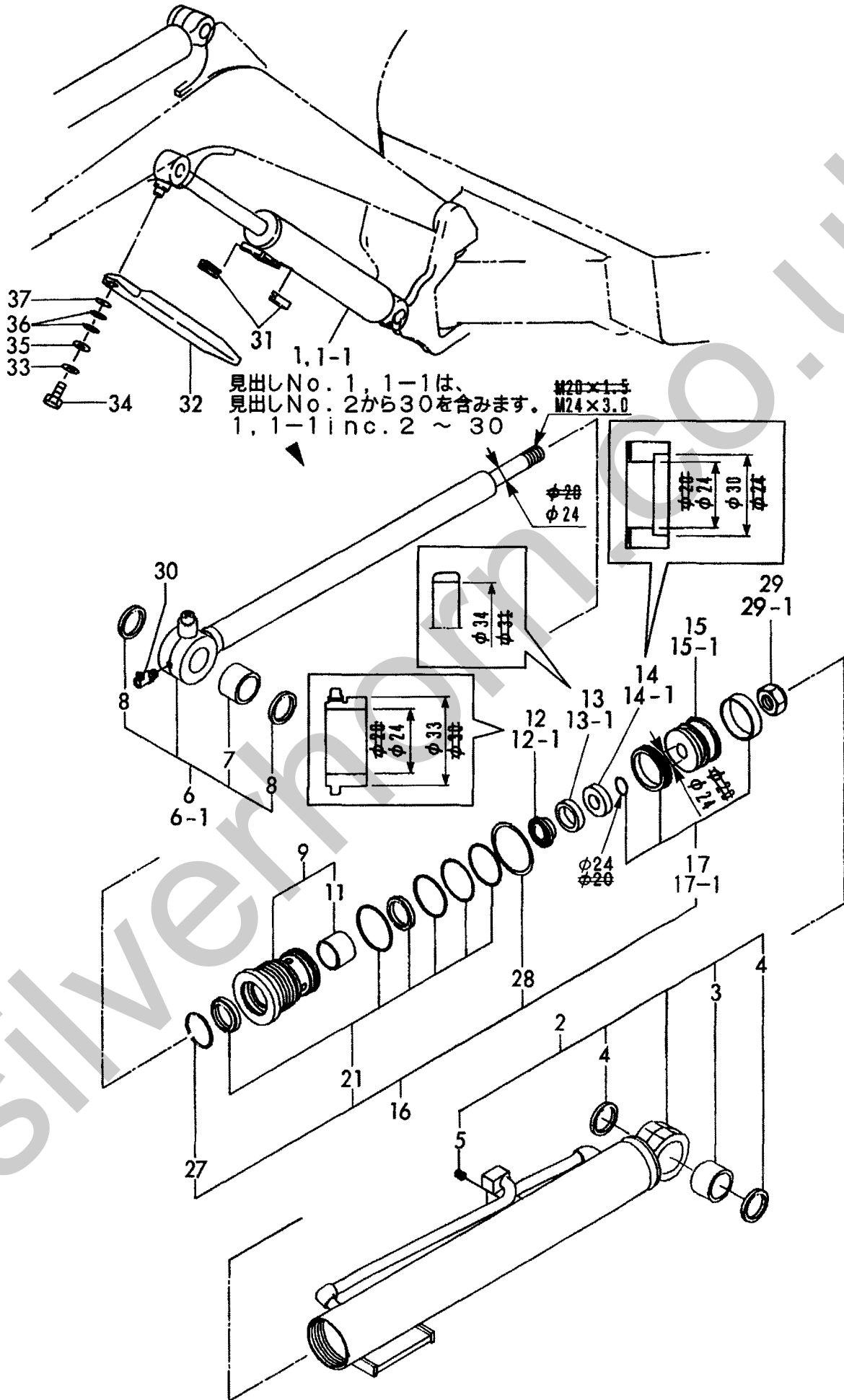
M/#10501~



1,1,,172149-72101-4,, "CYLINDER COMP.,BOOM",1,,,,,,,,,,,,,
1-1,1,,172149-72102-4,, "CYLINDER, BOOM",1,1,,,,,N,,72149226,M/#01217,,,,,,
2,2,,172149-72112-4,, "TUBE COMP.,BOOM",1,1,,,,,,,,,,,,,
3,3,,172141-72561,, "BUSH (35-45-30",1,1,,,,,,,,,,,,,
4,3,,172171-81280,, "SEAL 35X45X4",2,2,,,,,,,,,,,,,
5,3,,23871-010000,, "PLUG PT1/8,SCREW",1,1,,,,,,,,,,,,,
6,2,,172149-72201,, "ROD COMP.,BOOM",1,,,,,,,,,,,,,
6-1,2,,172149-72202,, "ROD COMP.,BOOM",1,1,,,,,S,,72149226,M/#01217,,,,,,
7,3,,172141-72561,, "BUSH (35-45-30",1,1,,,,,,,,,,,,,
8,3,,172171-81280,, "SEAL 35X45X4",2,2,,,,,,,,,,,,,
9,2,,172149-72241,, "HEAD 6035 COMPL.",1,1,,,,,,,,,,,,,
11,3,,933111-01600,, "BUSH 35 30, ROD",1,1,,,,,,,,,,,,,
11-1,3,,24550-035300,, "BUSH
35X30",1,1,,,,,R,,A1686116,*2002.01,A1686116,*2002.01,,,,,,I
12,2,,172137-72250,, "COLLAR, CUSHION",1,,,,,,,,,,,,,
12-1,2,,172137-72251,, "SUPPORT",1,1,,,,,S,,72149226,M/#01217,,,,,,
13,2,,172137-72260,, "RING 41, CUSHION",1,,,,,,,,,,,,,
13-1,2,,172137-72261,, "RING 41, CUSHION",1,1,,,,,S,,72149226,M/#01217,,,,,,
14,2,,172137-72271,, "COLLAR 41B, CUSHION",1,,,,,,,,,,,,,
14-1,2,,172137-72272,, "COLLAR 41B,
CUSHION",1,1,,,,,S,,72149226,M/#01217,,,,,,
15,2,,172137-72431,, "PISTON 60G",1,,,,,,,,,,,,,
15-1,2,,172171-72120,, "PISTON",1,1,,,,,S,,72149226,M/#01217,,,,,,
16,2,,172149-99341,, "BOOMCYLINDER SET",1,1,,,,,,,,,,,,,
17,3,,172137-72462,, "SEAL SET 60B, PISTON",1,1,,,,,,,,,,,,,
17-1,3,,172137-72463,, "SEAL SET,
PISTON",1,1,,,,,S,,72149226,M/#01217,72149226,"FROM 1ST",,,,,,
21,3,,172149-72011,, "SEAL SET, HEAD",1,1,,,,,,,,,,,,,
27,3,,172141-73090,, "RING 50, SPRING",1,1,,,,,,,,,,,,,
28,3,,933125-59600,, "WASHER 60 B, LOCK",1,1,,,,,,,,,,,,,
29,2,,172141-72580,, "NUT M20",1,,,,,,,,,,,,,
29-1,2,,172171-72130,, "U-NUT M24",1,1,,,,,S,,72149226,M/#01217,,,,,,
30,2,,24761-040000,, "NIPPLE B,GREASE",1,1,,,,,,,,,,,,,
31,1,,172162-61770,, "GUIDE,SLIDE",2,2,,,,,,,,,,,,,
32,1,,172149-72650-4,, "COVER, SLIDE",1,1,,,,,,,,,,,,,
33,1,,22217-100000,, "SPRING WASHER 10",1,1,,,,,,,,,,,,,
34,1,,26116-100202,, "BOLT M10X 20 PLATED",1,1,,,,,,,,,,,,,
35,1,,933147-03400,, "WASHER, BRAKE ARM",1,1,,,,,,,,,,,,,
36,1,,933168-14170,, "SPRING 16",2,2,,,,,,,,,,,,,
37,1,,172149-72750,, "SPACER",1,1,,,,,,,,,,,,,



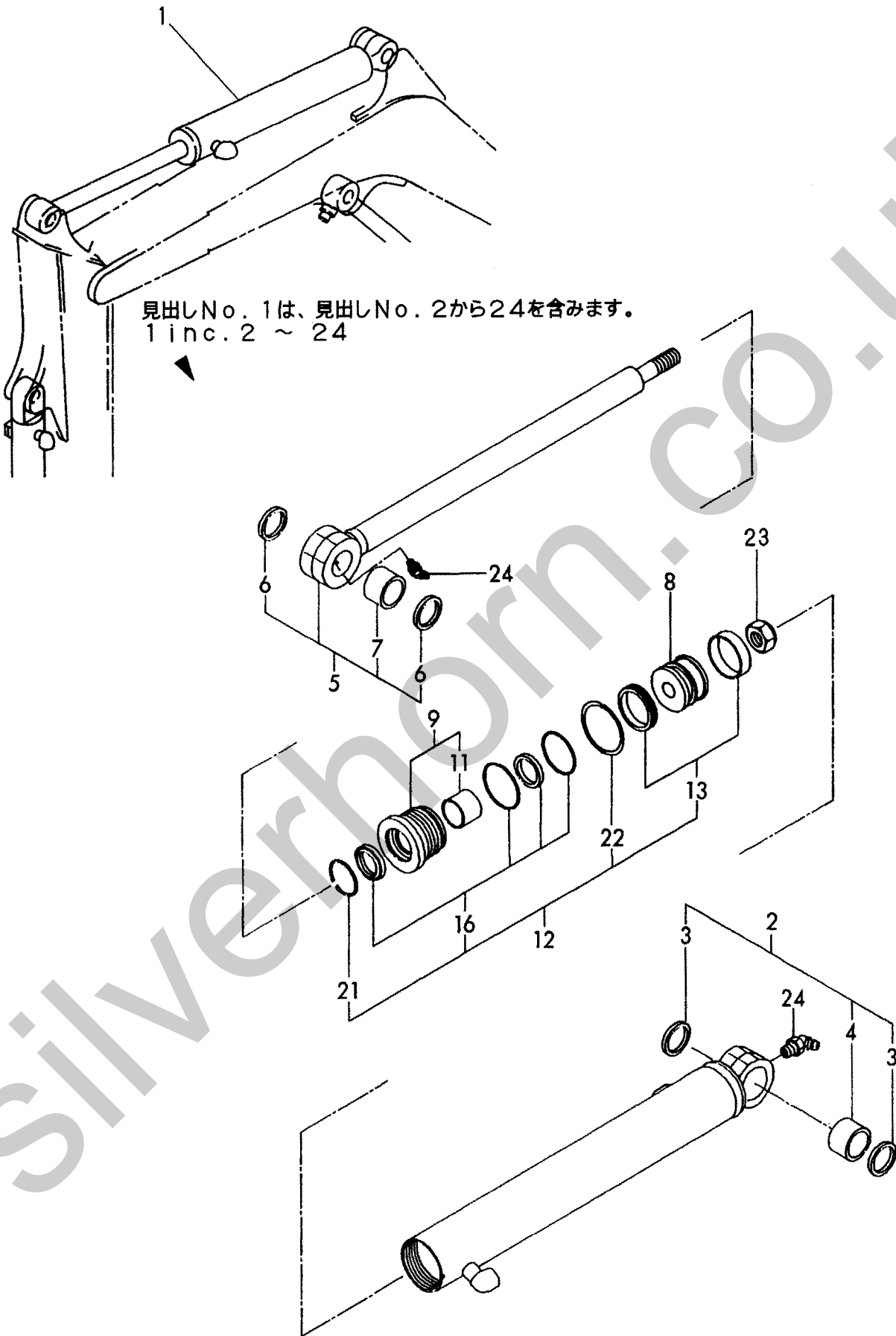
Fig. **35** ブームシリンダ
BOOM CYLINDER



1,1,,172149-72351-4,, "CYLINDER COMP.,ARM",1,,,,,,,,,,,,,
1-1,1,,172149-72352-4,, "CYLINDER
COMP.,ARM",1,1,,,,,N,,72149213,M/#00676,,,,,,,,,,,,,
2,2,,172149-72361-4,, "TUBE COMP.,ARM",1,1,,,,,,,,,,,,,
3,3,,172183-72290,, "SEAL, DUST 30X40X4.2",2,2,,,,,,,,,,,,,
4,3,,172149-72440,, "BUSH A 30X30,PIN",1,1,,,,,,,,,,,,,
5,2,,172149-72381,, "ROD COMP.,ARM",1,,,,,,,,,,,,,
5-1,2,,172149-72382,, "ROD COMP.,ARM",1,1,,,,,F,1,72149213,M/#00676,,,,,,,,,,,,,
6,3,,172183-72290,, "SEAL, DUST 30X40X4.2",2,2,,,,,,,,,,,,,
7,3,,172149-72440,, "BUSH A 30X30,PIN",1,1,,,,,,,,,,,,,
8,2,,172137-72431,, "PISTON 60G",1,,,,,,,,,,,,,
8-1,2,,172171-72120,, PISTON,1,1,,,,,S,,72149213,M/#00676,,,,,,,,,,,,,
9,2,,172141-72540,, "HEAD 6035, CYLINDER",1,1,,,,,,,,,,,,,
11,3,,933111-01600,, "BUSH 35 30, ROD",1,1,,,,,,,,,,,,,
11-1,3,,24550-035300,, "BUSH
35X30",1,1,,,,,R,,A1686116,*2002.01,A1686116,*2002.01,,,,,,,,,,,,,I
12,2,,172149-99380,, "CYLINDER KIT, BUCKET",1,1,,,,,,,,,,,,,
13,3,,172137-72452,, "SEAL SET 60A, PISTON",1,1,,,,,,,,,,,,,
16,3,,172141-71900,, "SEAL SET, HEAD",1,1,,,,,,,,,,,,,
21,3,,172141-73090,, "RING 50, SPRING",1,1,,,,,,,,,,,,,
22,3,,933125-59600,, "WASHER 60 B, LOCK",1,1,,,,,,,,,,,,,
23,2,,172141-72580,, "NUT M20",1,,,,,,,,,,,,,
23-1,2,,172171-72130,, "U-NUT M24",1,1,,,,,S,,72149213,M/#00676,,,,,,,,,,,,,
24,2,,24761-040000,, "NIPPLE B,GREASE",2,2,,,,,,,,,,,,,

Silverhorn.CO.UK

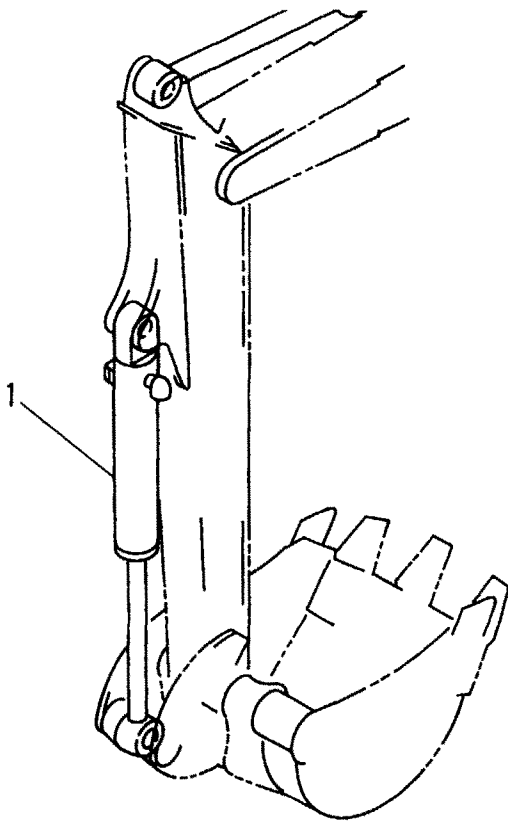
Fig. **36** アームシリンダ
ARM CYLINDER



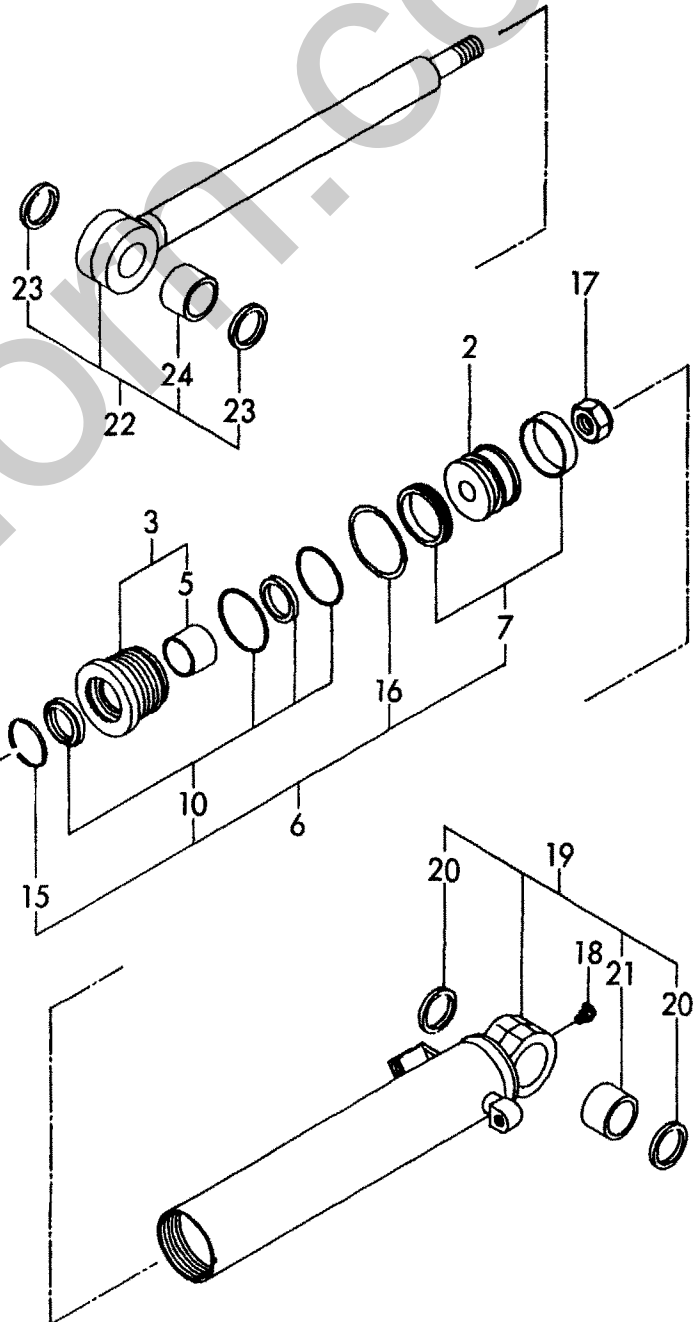
1,1,,933120-28402-4,, "CYLINDER CMP.,BUCKET",1,,,,,,,,,,,,,
1-1,1,,933120-28403-4,, "CYLINDER
CMP.,BUCKET",1,1,,,,,N,,72149213,M/#00676,,,,,,,,,,,,,
2,2,,172137-72431,, "PISTON 60G",1,,,,,,,,,,,,,
2-1,2,,172171-72120,, PISTON,1,1,,,,,S,,72149213,M/#00676,,,,,,,,,,,,,
3,2,,172141-72540,, "HEAD 6035, CYLINDER",1,1,,,,,,,,,,,,,
5,3,,933111-01600,, "BUSH 35 30, ROD",1,1,,,,,,,,,,,,,
5-1,3,,24550-035300,, "BUSH
35X30",1,1,,,,,R,,A1686116,*2002.01,A1686116,*2002.01,,,,,,,,,,,,,I
6,2,,172149-99380,, "CYLINDER KIT, BUCKET",1,1,,,,,,,,,,,,,
7,3,,172137-72452,, "SEAL SET 60A, PISTON",1,1,,,,,,,,,,,,,
10,3,,172141-71900,, "SEAL SET, HEAD",1,1,,,,,,,,,,,,,
15,3,,172141-73090,, "RING 50, SPRING",1,1,,,,,,,,,,,,,
16,3,,933125-59600,, "WASHER 60 B, LOCK",1,1,,,,,,,,,,,,,
17,2,,172141-72580,, "NUT M20",1,,,,,,,,,,,,,
17-1,2,,172171-72130,, "U-NUT M24",1,1,,,,,S,,72149213,M/#00676,,,,,,,,,,,,,
18,2,,24761-040000,, "NIPPLE B,GREASE",1,1,,,,,,,,,,,,,
19,2,,933121-28402-4,, "TUBE COMP.,BUCKET",1,1,,,,,,,,,,,,,
20,3,,172183-72290,, "SEAL, DUST 30X40X4.2",2,2,,,,,,,,,,,,,
21,3,,172149-72440,, "BUSH A 30X30,PIN",1,1,,,,,,,,,,,,,
22,2,,933122-28301,, "ROD COMP.,BUCKET",1,,,,,,,,,,,,,
22-1,2,,933122-28302,, "ROD COMP.,BUCKET",1,1,,,,,F,1,72149213,M/#00676,,,,,,,,,,,,,
23,3,,172183-72290,, "SEAL, DUST 30X40X4.2",2,2,,,,,,,,,,,,,
24,3,,172149-72680,, "BUSH B 30X30,PIN",1,1,,,,,,,,,,,,,

Silverhorn.CO.UK

Fig. **37** バケットシリンダ
BUCKET CYLINDER



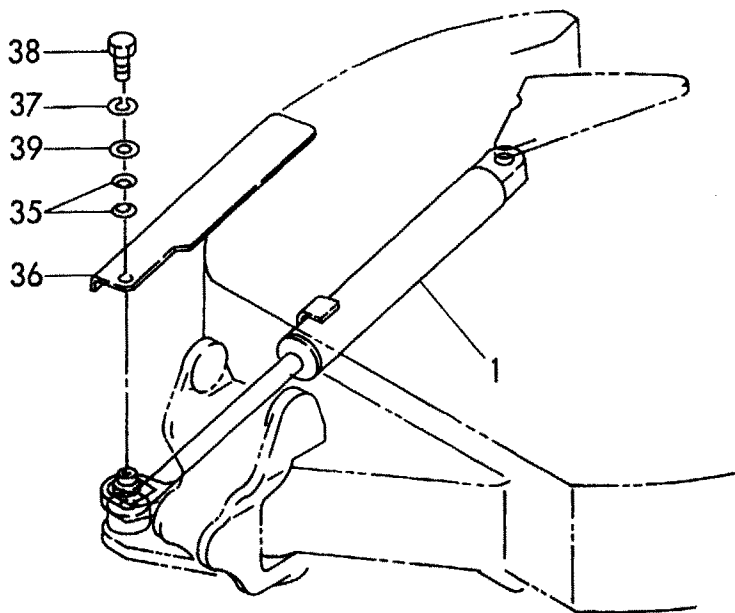
見出しNo. 1は、見出しNo. 2から24を含みます。
1 inc. 2 ~ 24



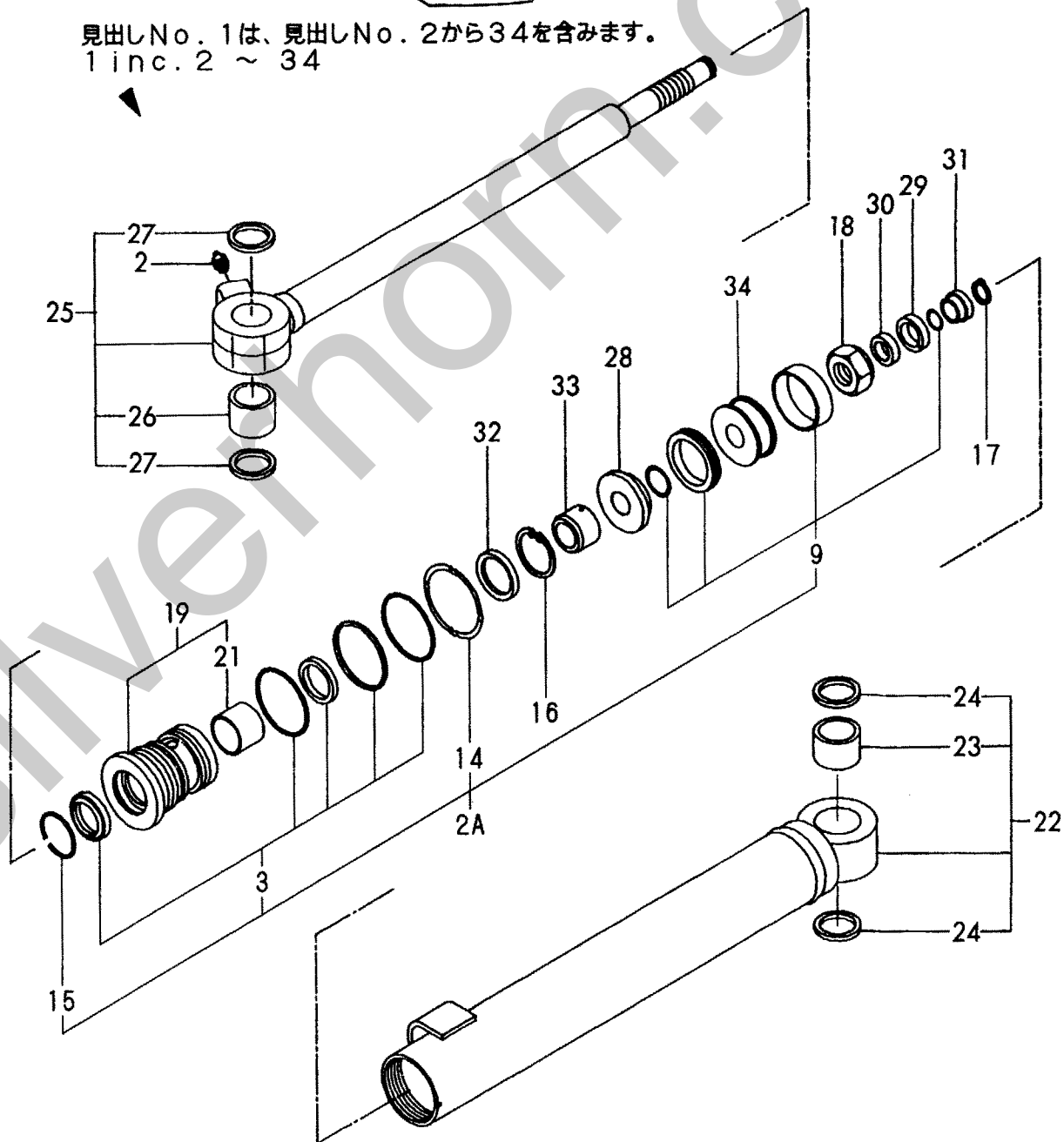
1,1,,172183-72600,, "CYLINDER, SWING",1,1,,,,,,,,,,,,,
1-1,1,,172183-72600-
1,, "CYLINDER,SWING",1,1,,,,,R,,72183222,M/#10501,72183222,M/#10501,,,,,
2,2,,24761-020000,, "NIPPLE PT1/8,GREASE",1,1,,,,,,,,,,,,,
2A,2,,172149-72900,, "SEAL SET,
CYLINDER",1,1,,,,,W,,72173089,M/#02626,72173089,M/#02626,,,,,
3,3,,172149-72021,, "SEAL SET, HEAD",1,1,,,,,,,,,,,,,
9,3,,172149-72000,, "SEAL SET, PISTON",1,1,,,,,,,,,,,,,
14,3,,172141-72420,, "WASHER 70, LOCK",1,1,,,,,,,,,,,,,
15,3,,933111-26600,, "RING 55, SPRING",1,1,,,,,,,,,,,,,
16,2,,22252-000561,, "CIRCLIP 56",1,1,,,,,,,,,,,,,
17,2,,172142-72810,, "CIRCLIP 22",1,1,,,,,,,,,,,,,
18,2,,172141-72250,, "U-NUT M27",1,1,,,,,,,,,,,,,
19,2,,172149-72540,, "HEAD 7040",1,1,,,,,,,,,,,,,
21,3,,933135-14600,, "BUSH 40 30, ROD",1,1,,,,,,,,,,,,,
21-1,3,,24550-040300,, "BUSH
40X30",1,1,,,,,R,,A1686116,*2002.01,A1686116,*2002.01,,,,,,I
22,2,,172183-72610,, "TUBE COMP.,SWING",1,1,,,,,,,,,,,,,
22-1,2,,172183-72610-1,, "TUBE
ASSY.,SWING",1,1,,,,,R,,72183222,M/#10501,72183222,M/#10501,,,,,
23,3,,172168-72240,, "BUSH 38X50X40",1,1,,,,,,,,,,,,,
24,3,,172168-81270,, "SEAL,DUST 38X50X4",2,2,,,,,,,,,,,,,
25,2,,172183-72640,, "ROD COMP.,SWING",1,1,,,,,,,,,,,,,
26,3,,172168-72240,, "BUSH 38X50X40",1,1,,,,,,,,,,,,,
27,3,,172168-81270,, "SEAL,DUST 38X50X4",2,2,,,,,,,,,,,,,
28,2,,172183-72660,, "PISTON B 70X27",1,1,,,,,,,,,,,,,
29,2,,172137-72700,, "RING 40A, CUSHION",1,1,,,,,,,,,,,,,
30,2,,172137-72710,, "COLLAR 40B, CUSHION",1,1,,,,,,,,,,,,,
31,2,,172137-72720,, "COLLAR 40A, CUSHION",1,1,,,,,,,,,,,,,
32,2,,172137-72730,, "RING 44B, CUSHION",1,1,,,,,,,,,,,,,
33,2,,172137-72740,, "CUSHION PLUNGER 44 A",1,1,,,,,,,,,,,,,
34,2,,172141-73021,, "PISTON 70 27 A",1,1,,,,,,,,,,,,,
35,1,,933168-14170,, "SPRING 16",2,2,,,,,,,,,,,,,
36,1,,172171-72260-4,, "COVER ASSY, SWING",1,1,,,,,,,,,,,,,
37,1,,22217-100000,, "SPRING WASHER 10",1,1,,,,,,,,,,,,,
38,1,,26116-100202,, "BOLT M10X 20 PLATED",1,1,,,,,,,,,,,,,
39,1,,933147-03400,, "WASHER, BRAKE ARM",1,1,,,,,,,,,,,,,



Fig. **38** スイングシリンダ
SWING CYLINDER

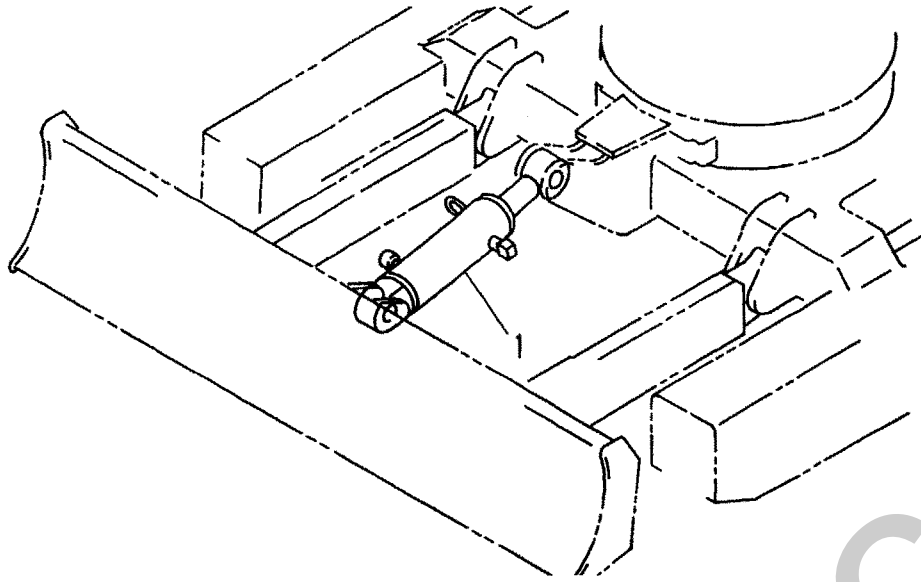


見出しNo. 1は、見出しNo. 2から34を含みます。
1 inc. 2 ~ 34

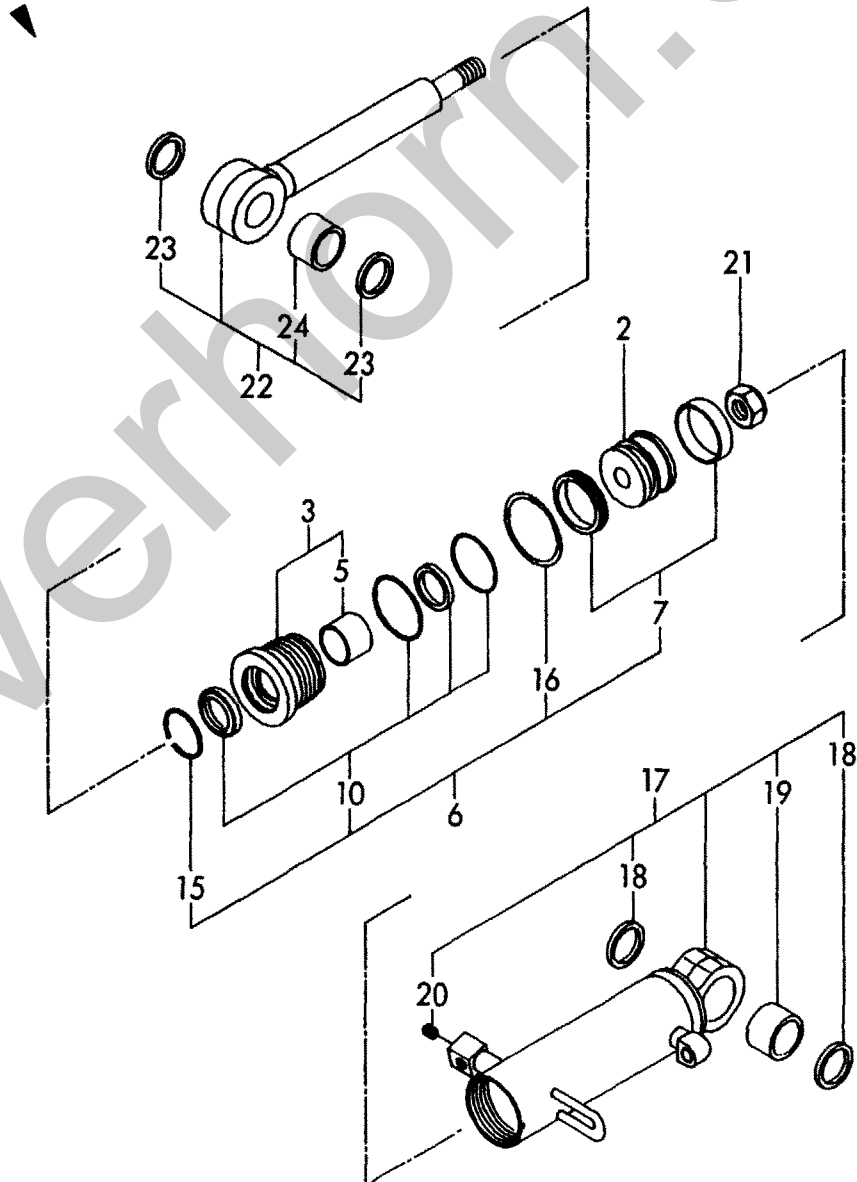


1,1,,933120-28502-4,, "CYLINDER COMP.,BLADE",1,,,,,,,,,,,,,
1-1,1,,933120-28503-4,, "CYLINDER
COMP.,BLADE",1,,,,,,N,,72149213,M/#00676,,,,,,,,,,,,,
1-2,1,,933120-28504-4,, "CYLINDER
COMP.,BLADE",1,1,,,,,,N,,72183124,M/#00746,,,,,,,,,,,,,
1-3,1,,933120-28504-1,, "CYLINDER
COMP.,BLADE",1,1,,,,,,R,,72183222,M/#10501,72183222,M/#10151,,,,,,,,,,,,,
2,2,,172137-72431,, "PISTON 60G",1,,,,,,,,,,,,,
2-1,2,,172171-72120,, "PISTON",1,1,,,,,,S,,72149213,M/#00676,,,,,,,,,,,,,
3,2,,172141-72540,, "HEAD 6035, CYLINDER",1,1,,,,,,,,,,,,,
5,3,,933111-01600,, "BUSH 35 30, ROD",1,1,,,,,,,,,,,,,
5-1,3,,24550-035300,, "BUSH
35X30",1,1,,,,,,R,,A1686116,*2002.01,A1686116,*2002.01,,,,,,,,,,,,I
6,2,,172149-99380,, "CYLINDER KIT, BUCKET",1,1,,,,,,,,,,,,,
7,3,,172137-72452,, "SEAL SET 60A, PISTON",1,1,,,,,,,,,,,,,
10,3,,172141-71900,, "SEAL SET, HEAD",1,1,,,,,,,,,,,,,
15,3,,172141-73090,, "RING 50, SPRING",1,1,,,,,,,,,,,,,
16,3,,933125-59600,, "WASHER 60 B, LOCK",1,1,,,,,,,,,,,,,
17,2,,933121-28502-4,, "TUBE COMP.,BLADE",1,1,,,,,,,,,,,,,
17-1,2,,933121-28502-1,, "TUBE
COMP.,BLADE",1,1,,,,,,R,,72183222,M/#10501,72183222,M/#10501,,,,,,,,,,,,,
18,3,,172183-72290,, "SEAL, DUST 30X40X4.2",2,2,,,,,,,,,,,,,
19,3,,172149-72680,, "BUSH B 30X30,PIN",1,1,,,,,,,,,,,,,
20,3,,23871-010000,, "PLUG PT1/8,SCREW",1,1,,,,,,,,,,,,,
21,2,,172141-72580,, "NUT M20",1,,,,,,,,,,,,,
21-1,2,,172171-72130,, "U-NUT M24",1,1,,,,,,S,,72149213,M/#00676,,,,,,,,,,,,,
22,2,,933122-28401,, "ROD COMP.,BLADE",1,,,,,,,,,,,,,
22-1,2,,933122-28402,, "ROD COMP.,BLADE",1,,,,,,F,1,72149213,M/#00676,,,,,,,,,,,,,
22-2,2,,933122-28403,, "ROD COMP.,BLADE",1,1,,,,,,N,,72183124,M/#00746,,,,,,,,,,,,,
23,3,,172183-72290,, "SEAL, DUST 30X40X4.2",2,2,,,,,,,,,,,,,
24,3,,172149-72680,, "BUSH B 30X30,PIN",1,1,,,,,,,,,,,,,

Fig. 39 ブレードシリンダ
BLADE CYLINDER



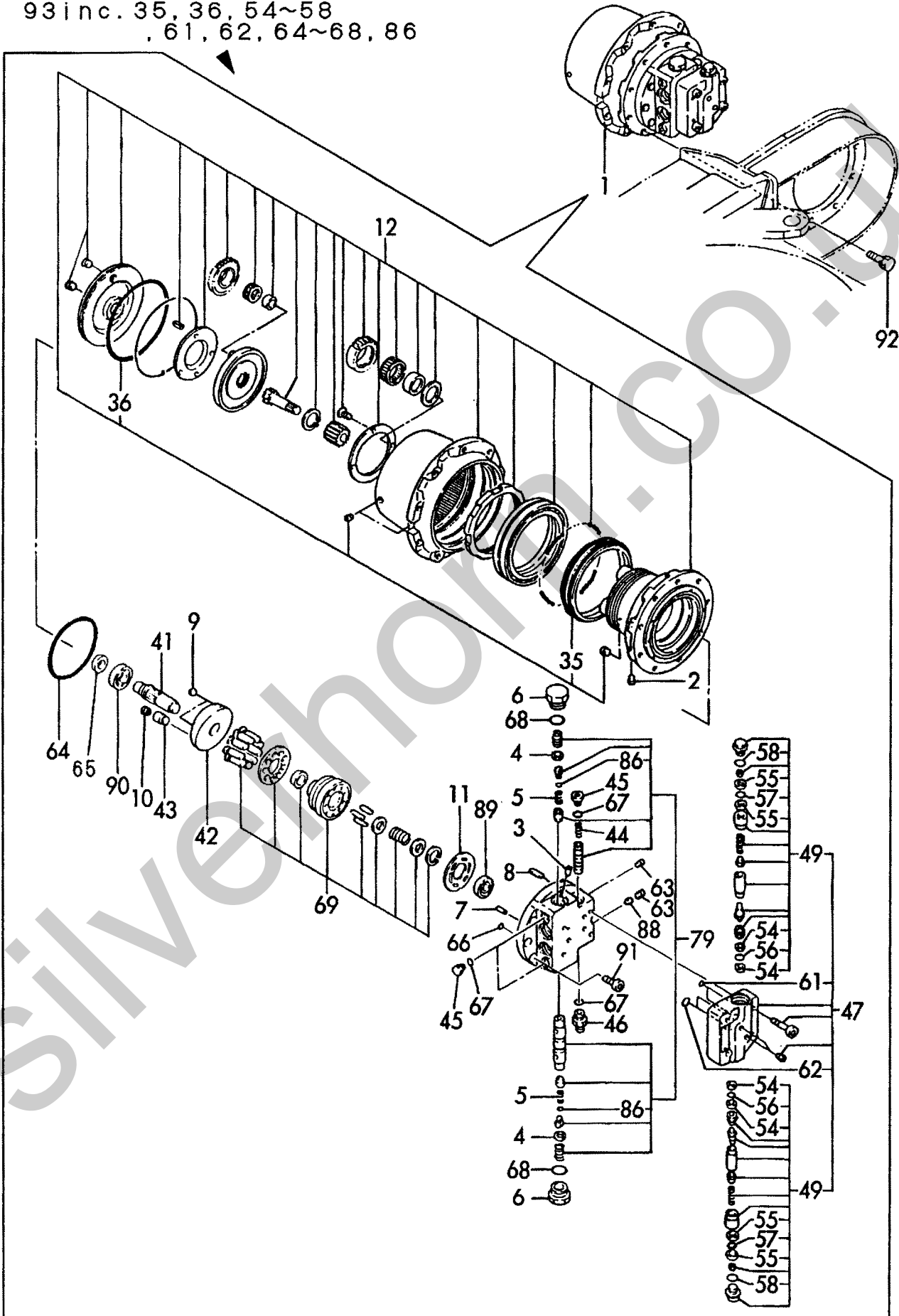
見出しNo. 1は、見出しNo. 2から24を含みます。
1 inc. 2 ~ 24



1,1,,172183-73300,, "MOTOR COMP., TRAVEL", 2,2,
 2,2,,172147-70220,, PLUG, 4,4,
 3,2,,172148-70240,, ORIFICE, 4,4,
 4,2,,172141-70450,, "SEAT, SPRING", 4,4,
 5,2,,172141-70460,, SPRING, 4,4,
 6,2,,172141-70470,, CAP, 4,4,
 7,2,,172141-70480,, PIN, 2,2,
 8,2,,172122-70650,, "PARALLEL PIN", 4,4,
 9,2,,172168-71870,, BALL, 4,4,
 10,2,,172168-71950,, SPRING, 4,4,
 11,2,,172638-73330,, PLATE, 2,2,
 12,2,,172183-73500,, "REDUCER, SPEED", 2,2,
 35,3,,172183-73510,, "SEAL, FLOATING", 2,2,
 36,3,,24315-001300,, "O-RING 1B P130.0", 2,2,
 41,2,,172183-73670,, SHAFT, 2,2,
 42,2,,172183-73680,, "PLATE, SWASH", 2,2,
 43,2,,172183-73700,, "PISTON ASSY.", 4,4,
 44,2,,172183-73760,, SPRING, 2,2,
 45,2,,172183-73770,, PLUG, 6,6,
 46,2,,172183-73780,, PLUG, 2,2,
 47,2,,172183-73800,, "BLOCK ASSY., RELIEF", 2,2,
 49,3,,172183-73820,, "VALVE ASSY., RELIEF", 4,4,
 54,4,,172147-70580,, "RING P12 T2, BACK UP", 8,8,
 55,4,,172147-70600,, "RING P15, T3, BACKUP", 8,8,
 56,4,,24315-000120,, "O-RING 1B P-12.0", 4,4,
 57,4,,24315-000150,, "O-RING 1B P-15.0", 4,4,
 58,4,,24315-000240,, "O-RING 1B P-24.0", 4,4,
 61,3,,24315-000070,, "O-RING 1B P-7.0", 6,6,
 62,3,,24315-000100,, "O-RING 1B P-10.0", 4,4,
 63,2,,172183-73870,, PLUG, 4,4,
 64,2,,172141-70370,, O-RING, 2,2,
 65,2,,172638-73540,, "SEAL, OIL", 2,2,
 66,2,,24315-000070,, "O-RING 1B P-7.0", 4,4,
 67,2,,24315-000110,, "O-RING 1B P-11.0", 8,8,
 68,2,,24315-000240,, "O-RING 1B P-24.0", 4,4,
 69,2,,172183-73910,, "BLOCK KIT, CYLINDER", 2,2,
 79,2,,172183-73920,, "PLATE KIT, BASE", 2,2,
 86,4,,172141-70440,, O-RING, 4,4,
 88,2,,172312-74790,, ORIFICE, 8,8,
 89,2,,24101-060024,, "BALL BEARING", 2,2,
 90,2,,24101-060040,, "BALL BEARING", 2,2,
 91,2,,26450-080202,, "BOLT M 8X 20", 12,12,
 92,1,,26013-100252,, "BOLT W/WASHER M10X25", 16,16,
 93,1,,172183-73930,, "SEAL KIT, TRAV. MOTOR", 2,2, 1,

Fig. 40 走行モータ TRAVEL MOTOR

見出しNo. 93は、見出しNo. 35, 36
 , 54~58, 61, 62, 64~68, 86を含みます。
 93 inc. 35, 36, 54~58
 , 61, 62, 64~68, 86

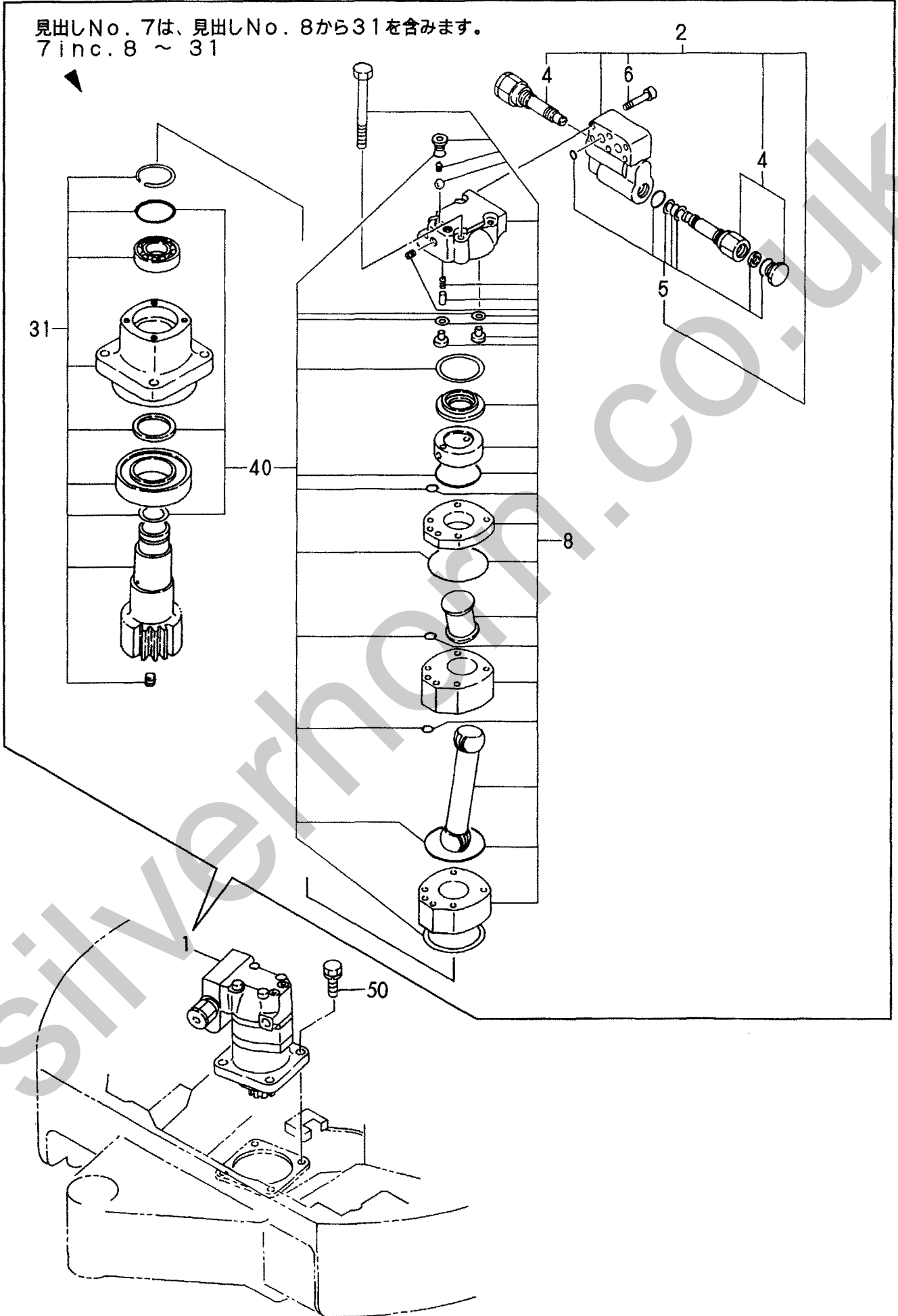


1,1,,172183-73310,, "MOTOR COMP.,SWING",1,1,,,,,,,,,,,,,
2,2,,172183-73320,, "VALVE 85K COMPL.",1,1,,,,,,,,,,,,,
4,3,,172183-73340,, "CARTRIDGE ASSY.",2,2,,,,,,,,,,,,,
5,3,,172168-73360,, "SEAL KIT",1,1,,,,,,,,,,,,,
6,3,,172168-73370,, BOLT,6,6,,,,,,,,,,,,,
7,2,,172183-73400,, "MOTOR COMP.SWING 244",1,1,,,,,,,,,,,,,
8,3,,172183-73410,, "MOTOR ASSY.",1,1,,,,,,,,,,,,,
31,3,,172183-73420,, "PINION ASSY.",1,1,,,,,,,,,,,,,
40,1,,172183-73460,, "SEAL KIT,TURN.MOTOR",1,1,,,,,,,,,,,,,
50,1,,26013-120402,, "BOLT M12X 40",4,4,,,,,,,,,,,,,

Silverhorn.CO.UK

Fig. 41 旋回モータ
TURNING MOTOR

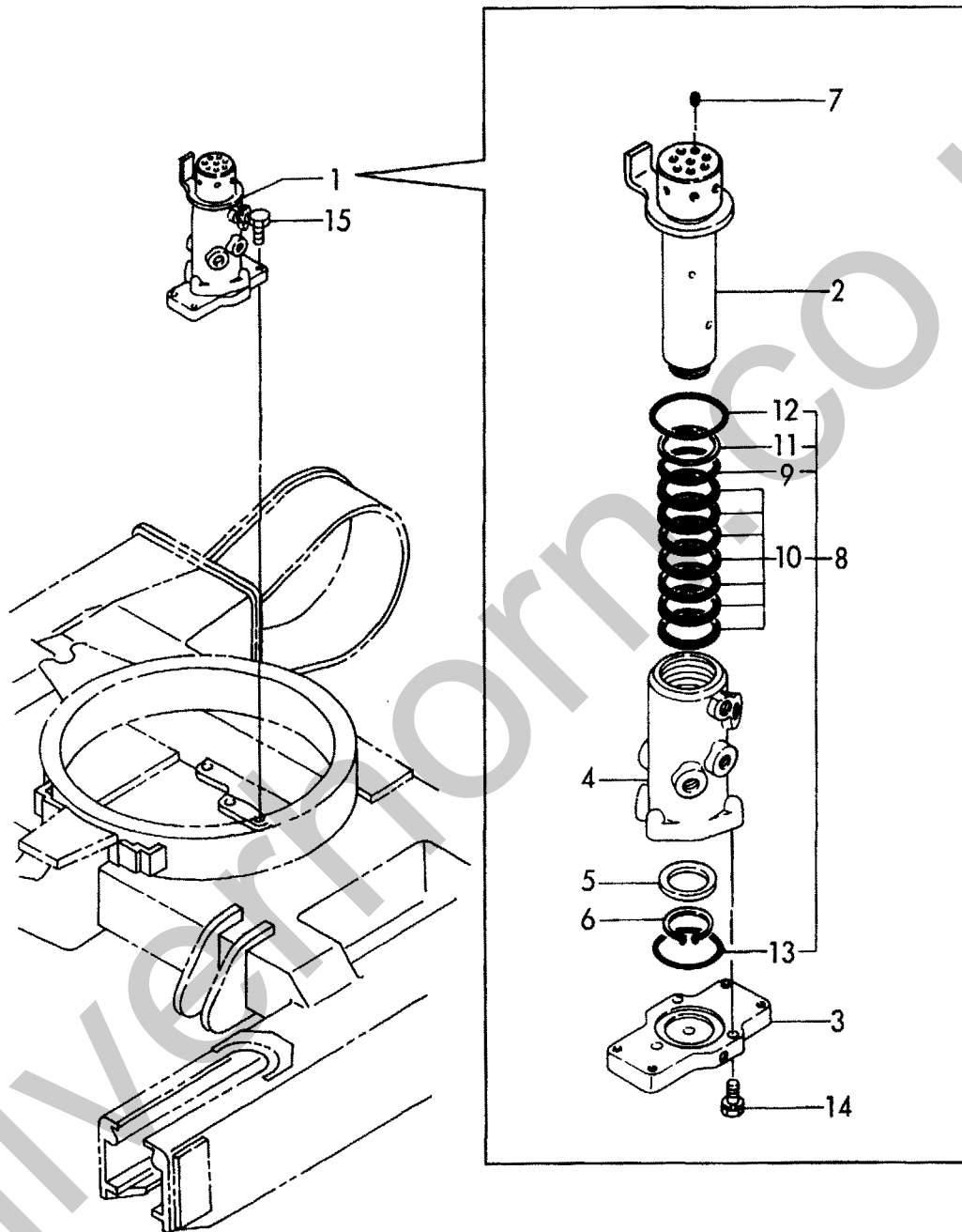
見出しNo. 7は、見出しNo. 8から31を含みます。
7 inc. 8 ~ 31



1,1,,172168-73800-4,, "JOINT ASSY.,SWIVEL",1,1,,,,,,,,,,,,,
1-1,1,,172168-73800-1,, "JOINT
ASSY.,SWIVEL",1,1,,,,,R,,72183222,M/#10501,72183222,M/#10501,,,,,
2,2,,172148-73810,, "SHAFT, SWIVEL",1,1,,,,,,,,,,,,,
3,2,,172148-73830,, "FLANGE, SWIVEL",1,1,,,,,,,,,,,,,
4,2,,172148-73840,, "HUB, SWIVEL",1,1,,,,,,,,,,,,,
5,2,,172137-73860,, "SPACER, SWIVEL",1,1,,,,,,,,,,,,,
6,2,,22242-000451,, "CIRCLIP 45",1,1,,,,,,,,,,,,,
7,2,,23871-020000,, "PLUG PT1/4,SCREW",7,7,,,,,,,,,,,,,
8,2,,172168-73880,, "SEAL SET, SWIVEL",1,1,,,,,,,,,,,,,
9,3,,172142-73800,, "O-RING 55.76X5.7",1,1,,,,,,,,,,,,,
10,3,,172142-73800,, "O-RING 55.76X5.7",7,7,,,,,,,,,,,,,
11,3,,172148-73870,, "LING EL, BUCK UP",1,1,,,,,,,,,,,,,
12,3,,24311-000750,, "O-RING 1A P-75.0",1,1,,,,,,,,,,,,,
13,3,,24321-000700,, "O-RING 1A G70.0,NBR",1,1,,,,,,,,,,,,,
14,2,,26013-100352,, "BOLT M10X 35",3,3,,,,,,,,,,,,,
15,1,,26013-100302,, "BOLT M10X 30",4,4,,,,,,,,,,,,,

Silverhorn.CO.UK

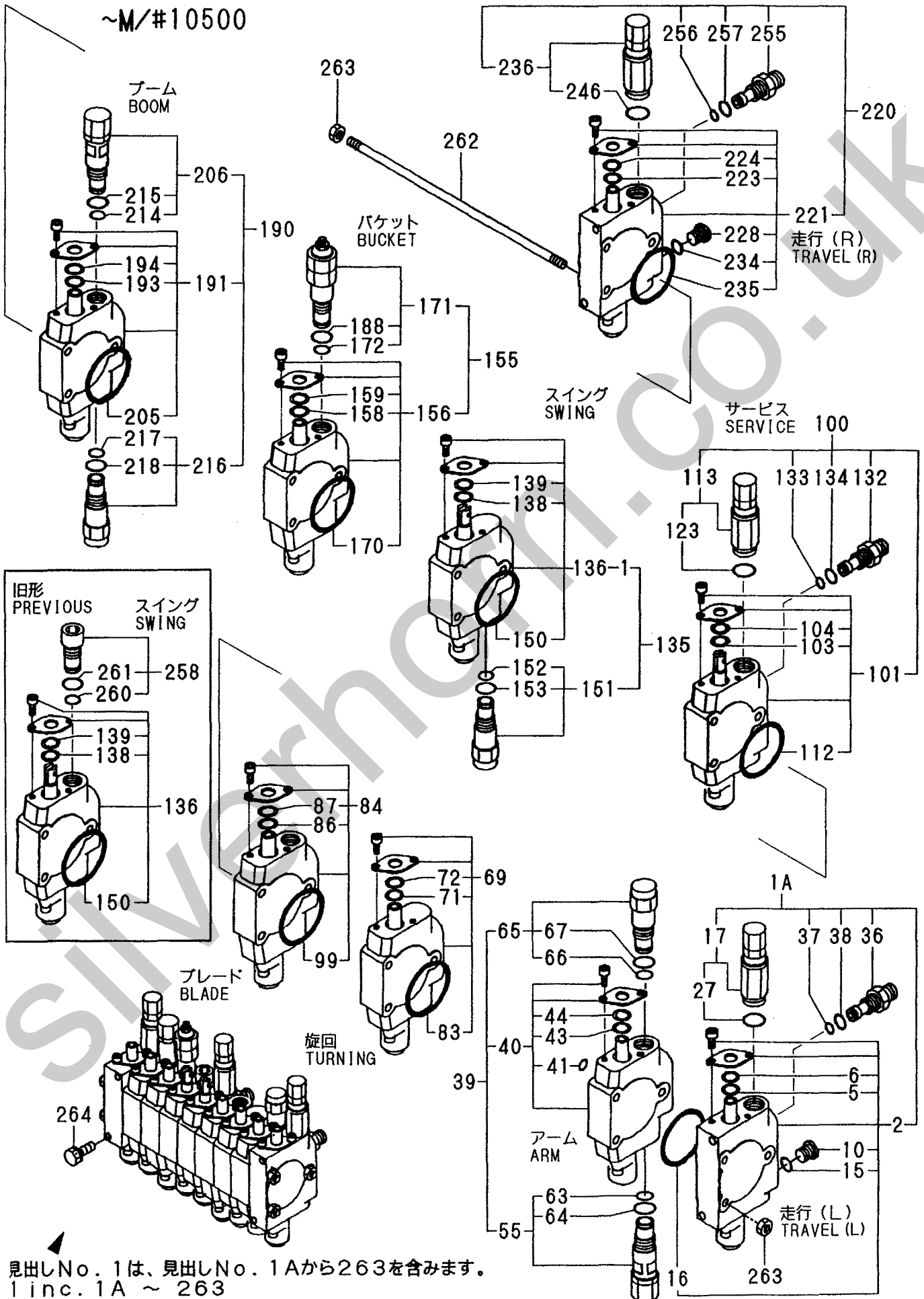
Fig. 42 スイベルジョイント
SWIVEL JOINT



1,1,,172183-74100,, "VALVE COMP.,CONTROL",1,1,,,,,,,,,,,,,
1-1,1,,172183-74101,, "VALVE ASSY,
CONTROL",1,1,,,,,R,,72183221,M/#02556,72183221,M/#02556,,,,,,
1A,2,,172183-74750,, "TRAVEL L SECTION
ASY",1,1,,,,,W,,72183226,M/#00501,72183226,M/#02706,,,,,,
2,3,,172183-74120,, "SECTION L CMP,TRAVEL",1,1,,,,,,,,,,,,,
2-1,3,,172421-74110,, "SECTION L
ASSY,TRAVE",1,1,,,,,S,,72183226,M/#02706,72183226,M/#02706,,,,,,
5,4,,172183-74300,, "O-RING P13",2,2,,,,,,,,,,,,,
6,4,,172183-74310,, "WIPER,DUST",2,2,,,,,,,,,,,,,
10,4,,172183-74350,, "PLUG PF1/4",1,1,,,,,,,,,,,,,
15,4,,24315-000110,, "O-RING 1B P-11.0",1,1,,,,,,,,,,,,,
16,4,,24325-000550,, "O-RING 1B G-55.0",1,1,,,,,,,,,,,,,
17,3,,172183-74210,, "VALVE COMP.,RELIEF",1,1,,,,,,,,,,,,,
27,4,,172183-74530,, "O-RING",1,1,,,,,,,,,,,,,
36,3,,172183-74260,, "ADAPTER PF3/8",1,1,,,,,,,,,,,,,
37,3,,24315-000090,, "O-RING 1B P- 9.0",1,1,,,,,,,,,,,,,
38,3,,24315-000140,, "O-RING 1B P-14.0",1,1,,,,,,,,,,,,,
39,2,,172183-74760,, "ARM SECTION
ASSY",1,1,,,,,W,,72183226,M/#00501,72183226,M/#02706,,,,,,
40,3,,172183-74130,, "SECTION COMP.,ARM",1,1,,,,,,,,,,,,,
41,4,,172131-74080,, "O-RING 1B S9",1,1,,,,,,,,,,,,,
43,4,,172183-74300,, "O-RING P13",2,2,,,,,,,,,,,,,
44,4,,172183-74310,, "WIPER,DUST",2,2,,,,,,,,,,,,,
55,3,,172183-74230,, "VALVE CMP,P/T RELIEF",1,1,,,,,,,,,,,,,
63,4,,172137-74640,, "O-RING 1B S 12.5",1,1,,,,,,,,,,,,,
64,4,,24315-000150,, "O-RING 1B P-15.0",1,1,,,,,,,,,,,,,
65,3,,172137-74631,, "VALVE ASSY, SUCTION",1,1,,,,,,,,,,,,,
66,4,,172137-74640,, "O-RING 1B S 12.5",1,1,,,,,,,,,,,,,
67,4,,24315-000150,, "O-RING 1B P-15.0",1,1,,,,,,,,,,,,,
69,2,,172183-74140,, "SECTION COMP.,TURN'G",1,1,,,,,,,,,,,,,
71,3,,172183-74300,, "O-RING P13",2,2,,,,,,,,,,,,,
72,3,,172183-74310,, "WIPER,DUST",2,2,,,,,,,,,,,,,
83,3,,24325-000550,, "O-RING 1B G-55.0",1,1,,,,,,,,,,,,,
84,2,,172183-74150,, "SECTION COMP.,BLADE",1,1,,,,,,,,,,,,,
86,3,,172183-74300,, "O-RING P13",2,2,,,,,,,,,,,,,
87,3,,172183-74310,, "WIPER,DUST",2,2,,,,,,,,,,,,,
99,3,,24325-000550,, "O-RING 1B G-55.0",1,1,,,,,,,,,,,,,
100,2,,172183-74770,, "SERVICE SECTION
ASSY",1,1,,,,,W,,72183226,M/#00501,72183226,M/#02706,,,,,,
101,3,,172183-74160,, "SECTION COMP,SERVICE",1,1,,,,,,,,,,,,,
103,4,,172183-74300,, "O-RING P13",2,2,,,,,,,,,,,,,
104,4,,172183-74310,, "WIPER,DUST",2,2,,,,,,,,,,,,,
112,4,,24325-000550,, "O-RING 1B G-55.0",1,1,,,,,,,,,,,,,
113,3,,172183-74220,, "VALVE COMP.,RELIEF",1,1,,,,,,,,,,,,,
123,4,,172183-74530,, "O-RING",2,2,,,,,,,,,,,,,
132,3,,172183-74270,, "ADAPTER PF1/2",1,1,,,,,,,,,,,,,
133,3,,24315-000090,, "O-RING 1B P- 9.0",1,1,,,,,,,,,,,,,
134,3,,24315-000140,, "O-RING 1B P-14.0",1,1,,,,,,,,,,,,,
135,2,,172183-74780,, "SWING SECTION
ASSY",1,1,,,,,W,,72183226,M/#00501,72183226,M/#02706,,,,,,
136,3,,172183-74170,, "SECTION COMP.,SWING",1,1,,,,,,,,,,,,,
136-1,3,,172421-74150,, "SECTION ASSY,
SWING",1,1,,,,,S,,72183226,M/#02706,72183226,M/#02706,,,,,,
138,4,,172183-74300,, "O-RING P13",2,2,,,,,,,,,,,,,
139,4,,172183-74310,, "WIPER,DUST",2,2,,,,,,,,,,,,,
150,4,,24325-000550,, "O-RING 1B G-55.0",1,1,,,,,,,,,,,,,
151,3,,172137-74631,, "VALVE ASSY, SUCTION",1,1,,,,,,,,,,,,,
152,4,,172137-74640,, "O-RING 1B S 12.5",1,1,,,,,,,,,,,,,
153,4,,24315-000150,, "O-RING 1B P-15.0",1,1,,,,,,,,,,,,,
155,2,,172183-74790,, "BUCKET SECTION
ASSY",1,1,,,,,W,,72183226,M/#00501,72183226,M/#02706,,,,,,
156,3,,172183-74180,, "SECTION COMP.,BUCKET",1,1,,,,,,,,,,,,,

158,4,,172183-74300,, "O-RING P13",2,2,,,,,,,,,,,,,,,,,,,,,
159,4,,172183-74310,, "WIPER,DUST",2,2,,,,,,,,,,,,,,,,,,,,,
170,4,,24325-000550,, "O-RING 1B G-55.0",1,1,,,,,,,,,,,,,,,,,,,,,
171,3,,172183-74250,, "VALVE COMP.,COMBINAT",1,1,,,,,,,,,,,,,,,,,,,,,
172,4,,172137-74640,, "O-RING 1B S 12.5",1,1,,,,,,,,,,,,,,,,,,,,,
188,4,,24315-000150,, "O-RING 1B P-15.0",1,1,,,,,,,,,,,,,,,,,,,,,
190,2,,172183-74840,, "BOOM SECTION
ASSY",1,1,,,,,W,,72183226,M/#02706,72183226,M/#02706,,,,,
191,3,,172183-74190,, "SECTION COMP.,BOOM",1,1,,,,,,,,,,,,,,,,,,,,,
193,4,,172183-74300,, "O-RING P13",2,2,,,,,,,,,,,,,,,,,,,,,
194,4,,172183-74310,, "WIPER,DUST",2,2,,,,,,,,,,,,,,,,,,,,,
205,4,,24325-000550,, "O-RING 1B G-55.0",1,1,,,,,,,,,,,,,,,,,,,,,
206,3,,172183-74230,, "VALVE CMP,P/T RELIEF",1,1,,,,,,,,,,,,,,,,,,,,,
214,4,,172137-74640,, "O-RING 1B S 12.5",1,1,,,,,,,,,,,,,,,,,,,,,
215,4,,24315-000150,, "O-RING 1B P-15.0",1,1,,,,,,,,,,,,,,,,,,,,,
216,3,,172137-74631,, "VALVE ASSY, SUCTION",1,1,,,,,,,,,,,,,,,,,,,,,
217,4,,172137-74640,, "O-RING 1B S 12.5",1,1,,,,,,,,,,,,,,,,,,,,,
218,4,,24315-000150,, "O-RING 1B P-15.0",1,1,,,,,,,,,,,,,,,,,,,,,
220,2,,172183-74850,, "TRAVEL R SECTION
ASY",1,1,,,,,W,,72183226,M/#00501,72183226,M/#02706,,,,,
221,3,,172183-74200,, "SECTION R CMP,TRAVEL",1,1,,,,,,,,,,,,,,,,,,,,,
221-1,3,,172421-74190,, "SECTION R
ASSY,TRAVE",1,1,,,,,S,,72183226,M/#02706,72183226,M/#02706,,,,,
223,4,,172183-74300,, "O-RING P13",2,2,,,,,,,,,,,,,,,,,,,,,
224,4,,172183-74310,, "WIPER,DUST",2,2,,,,,,,,,,,,,,,,,,,,,
228,4,,172183-74350,, "PLUG PF1/4",1,1,,,,,,,,,,,,,,,,,,,,,
234,4,,24315-000110,, "O-RING 1B P-11.0",1,1,,,,,,,,,,,,,,,,,,,,,
235,4,,24325-000550,, "O-RING 1B G-55.0",1,1,,,,,,,,,,,,,,,,,,,,,
236,3,,172183-74210,, "VALVE COMP.,RELIEF",1,1,,,,,,,,,,,,,,,,,,,,,
246,4,,172183-74530,, "O-RING",1,1,,,,,,,,,,,,,,,,,,,,,
255,3,,172183-74260,, "ADAPTER PF3/8",1,1,,,,,,,,,,,,,,,,,,,,,
256,3,,24315-000090,, "O-RING 1B P- 9.0",1,1,,,,,,,,,,,,,,,,,,,,,
257,3,,24315-000140,, "O-RING 1B P-14.0",1,1,,,,,,,,,,,,,,,,,,,,,
258,2,,172183-74240,, "PLUG
COMPL.",1,1,,,,,Z,,72183221,M/#02556,72183221,M/#02556,,,,,
260,3,,172137-74640,, "O-RING 1B S
12.5",1,1,,,,,Z,,72183221,M/#02556,72183221,M/#02556,,,,,
261,3,,24315-000150,, "O-RING 1B P-
15.0",1,1,,,,,Z,,72183221,M/#02556,72183221,M/#02556,,,,,
262,2,,172183-74280,, "ROD,TIE",3,3,,,,,,,,,,,,,,,,,,,,,
263,2,,26716-080002,, "NUT M 8",6,6,,,,,,,,,,,,,,,,,,,,,
264,1,,26013-080162,, "BOLT W/WASHER M8X16",4,4,,,,,,,,,,,,,,,,,,,,,

Fig. 43 コントロールバルブ (旧形)
CONTROL VALVE (PREVIOUS)



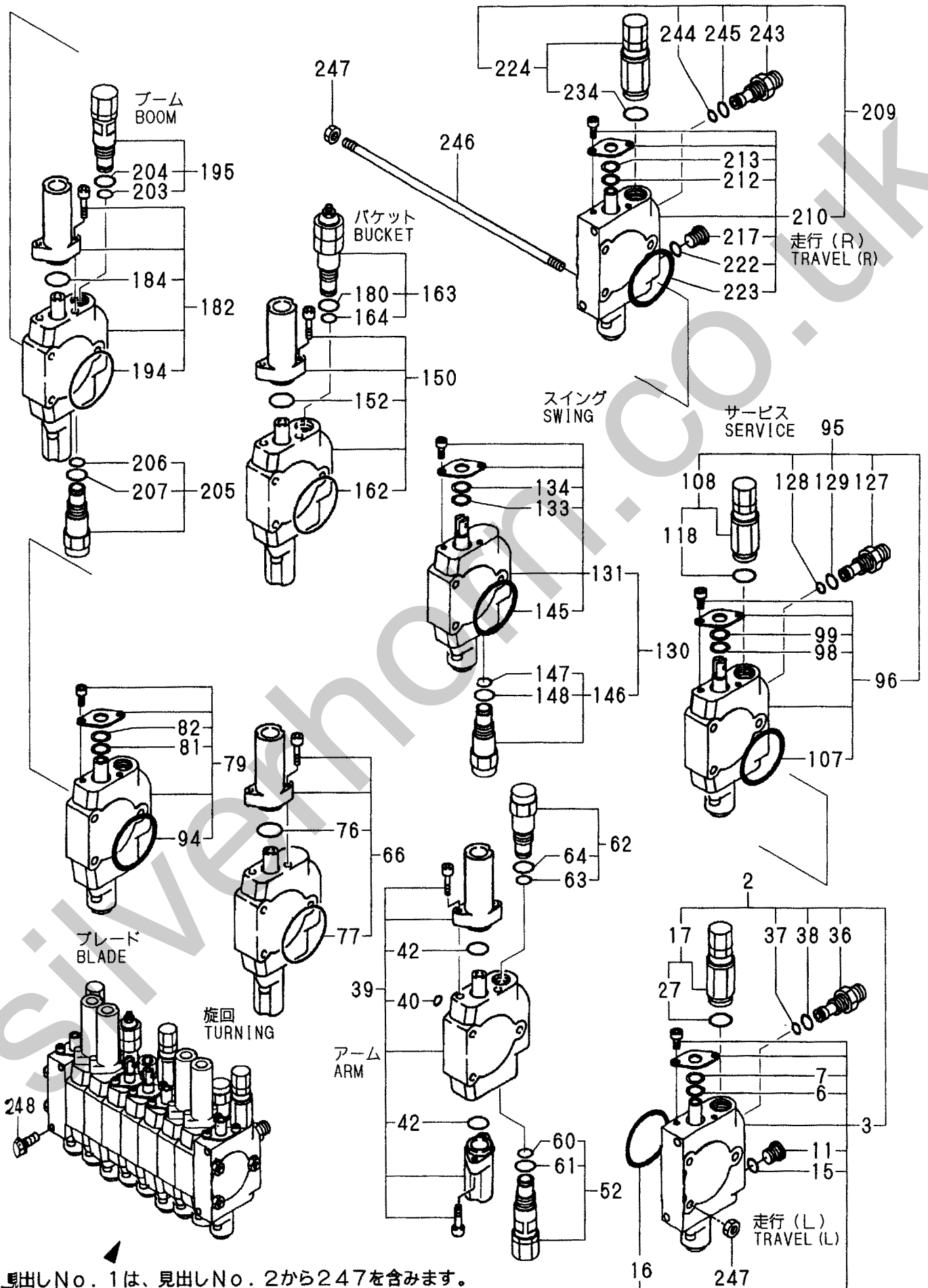
見出しNo. 1は、見出しNo. 1Aから263を含みます。
1 inc. 1A ~ 263

1,1,,172183-74900,, "CONTROL VALVE",1,1,,,,,,,,,,,,,
2,2,,172183-74750,, "TRAVEL L SECTION ASY",1,1,,,,,,,,,,,,,
3,3,,172421-74110,, "SECTION L ASSY,TRAVE",1,1,,,,,,,,,,,,,
6,4,,172183-74300,, "O-RING P13",2,2,,,,,,,,,,,,,
7,4,,172183-74310,, "WIPER,DUST",2,2,,,,,,,,,,,,,
11,4,,172183-74350,, "PLUG PF1/4",1,1,,,,,,,,,,,,,
15,4,,24315-000110,, "O-RING 1B P-11.0",1,1,,,,,,,,,,,,,
16,4,,24325-000550,, "O-RING 1B G-55.0",1,1,,,,,,,,,,,,,
17,3,,172183-74210,, "VALVE COMP.,RELIEF",1,1,,,,,,,,,,,,,
27,4,,172183-74530,, "O-RING",1,1,,,,,,,,,,,,,
36,3,,172183-74260,, "ADAPTER PF3/8",1,1,,,,,,,,,,,,,
37,3,,24315-000090,, "O-RING 1B P- 9.0",1,1,,,,,,,,,,,,,
38,3,,24315-000140,, "O-RING 1B P-14.0",1,1,,,,,,,,,,,,,
39,2,,172183-74910,, "SPOOL SECTION,ARM",1,1,,,,,,,,,,,,,
40,3,,172131-74080,, "O-RING 1B S9",1,1,,,,,,,,,,,,,
42,3,,24315-000220,, "O-RING 1B P-22.0",2,2,,,,,,,,,,,,,
52,2,,172183-74230,, "VALVE CMP,P/T RELIEF",1,1,,,,,,,,,,,,,
60,3,,172137-74640,, "O-RING 1B S 12.5",1,1,,,,,,,,,,,,,
61,3,,24315-000150,, "O-RING 1B P-15.0",1,1,,,,,,,,,,,,,
62,2,,172137-74631,, "VALVE ASSY, SUCTION",1,1,,,,,,,,,,,,,
63,3,,172137-74640,, "O-RING 1B S 12.5",1,1,,,,,,,,,,,,,
64,3,,24315-000150,, "O-RING 1B P-15.0",1,1,,,,,,,,,,,,,
66,2,,172183-74920,, "SECTION ASSY,TURNING",1,1,,,,,,,,,,,,,
76,3,,24315-000220,, "O-RING 1B P-22.0",2,2,,,,,,,,,,,,,
77,3,,24325-000550,, "O-RING 1B G-55.0",1,1,,,,,,,,,,,,,
79,2,,172183-74150,, "SECTION COMP.,BLADE",1,1,,,,,,,,,,,,,
81,3,,172183-74300,, "O-RING P13",2,2,,,,,,,,,,,,,
82,3,,172183-74310,, "WIPER,DUST",2,2,,,,,,,,,,,,,
94,3,,24325-000550,, "O-RING 1B G-55.0",1,1,,,,,,,,,,,,,
95,2,,172183-74770,, "SERVICE SECTION ASSY",1,1,,,,,,,,,,,,,
96,3,,172183-74160,, "SECTION COMP,SERVICE",1,1,,,,,,,,,,,,,
98,4,,172183-74300,, "O-RING P13",2,2,,,,,,,,,,,,,
99,4,,172183-74310,, "WIPER,DUST",2,2,,,,,,,,,,,,,
107,4,,24325-000550,, "O-RING 1B G-55.0",1,1,,,,,,,,,,,,,
108,3,,172183-74220,, "VALVE COMP.,RELIEF",1,1,,,,,,,,,,,,,
118,4,,172183-74530,, "O-RING",2,2,,,,,,,,,,,,,
127,3,,172183-74270,, "ADAPTER PF1/2",1,1,,,,,,,,,,,,,
128,3,,24315-000090,, "O-RING 1B P- 9.0",1,1,,,,,,,,,,,,,
129,3,,24315-000140,, "O-RING 1B P-14.0",1,1,,,,,,,,,,,,,
130,2,,172183-74780,, "SWING SECTION ASSY",1,1,,,,,,,,,,,,,
131,3,,172421-74150,, "SECTION ASSY, SWING",1,1,,,,,,,,,,,,,
133,4,,172183-74300,, "O-RING P13",2,2,,,,,,,,,,,,,
134,4,,172183-74310,, "WIPER,DUST",2,2,,,,,,,,,,,,,
145,4,,24325-000550,, "O-RING 1B G-55.0",1,1,,,,,,,,,,,,,
146,3,,172137-74631,, "VALVE ASSY, SUCTION",1,1,,,,,,,,,,,,,
147,4,,172137-74640,, "O-RING 1B S 12.5",1,1,,,,,,,,,,,,,
148,4,,24315-000150,, "O-RING 1B P-15.0",1,1,,,,,,,,,,,,,
150,2,,172173-74140,, "SECTION COMP.,BUCKET",1,1,,,,,,,,,,,,,
152,3,,24315-000220,, "O-RING 1B P-22.0",2,2,,,,,,,,,,,,,
162,3,,24325-000550,, "O-RING 1B G-55.0",1,1,,,,,,,,,,,,,
163,2,,172183-74250,, "VALVE COMP.,COMBINAT",1,1,,,,,,,,,,,,,
164,3,,172137-74640,, "O-RING 1B S 12.5",1,1,,,,,,,,,,,,,
180,3,,24315-000150,, "O-RING 1B P-15.0",1,1,,,,,,,,,,,,,
182,2,,172183-74930,, "SECTION ASSY,BOOM",1,1,,,,,,,,,,,,,
184,3,,24315-000220,, "O-RING 1B P-22.0",2,2,,,,,,,,,,,,,
194,3,,24325-000550,, "O-RING 1B G-55.0",1,1,,,,,,,,,,,,,
195,2,,172183-74230,, "VALVE CMP,P/T RELIEF",1,1,,,,,,,,,,,,,
203,3,,172137-74640,, "O-RING 1B S 12.5",1,1,,,,,,,,,,,,,
204,3,,24315-000150,, "O-RING 1B P-15.0",1,1,,,,,,,,,,,,,
205,2,,172137-74631,, "VALVE ASSY, SUCTION",1,1,,,,,,,,,,,,,
206,3,,172137-74640,, "O-RING 1B S 12.5",1,1,,,,,,,,,,,,,
207,3,,24315-000150,, "O-RING 1B P-15.0",1,1,,,,,,,,,,,,,
209,2,,172183-74850,, "TRAVEL R SECTION ASY",1,1,,,,,,,,,,,,,

210,3,,172421-74190,, "SECTION R ASSY,TRAVE",1,1,,,,,,,,,,,,,
212,4,,172183-74300,, "O-RING P13",2,2,,,,,,,,,,,,,
213,4,,172183-74310,, "WIPER,DUST",2,2,,,,,,,,,,,,,
217,4,,172183-74350,, "PLUG PF1/4",1,1,,,,,,,,,,,,,
222,4,,24315-000110,, "O-RING 1B P-11.0",1,1,,,,,,,,,,,,,
223,4,,24325-000550,, "O-RING 1B G-55.0",1,1,,,,,,,,,,,,,
224,3,,172183-74210,, "VALVE COMP.,RELIEF",1,1,,,,,,,,,,,,,
234,4,,172183-74530,, "O-RING",1,1,,,,,,,,,,,,,
243,3,,172183-74260,, "ADAPTER PF3/8",1,1,,,,,,,,,,,,,
244,3,,24315-000090,, "O-RING 1B P- 9.0",1,1,,,,,,,,,,,,,
245,3,,24315-000140,, "O-RING 1B P-14.0",1,1,,,,,,,,,,,,,
246,2,,172183-74280,, "ROD,TIE",3,3,,,,,,,,,,,,,
247,2,,26716-080002,, "NUT M 8",6,6,,,,,,,,,,,,,
248,1,,26013-080162,, "BOLT W/WASHER M8X16",4,4,,,,,,,,,,,,,

Silverhorn.CO.UK

Fig. 44 コントロールバルブ (新形, 油圧パイロット仕様)
CONTROL VALVE (NEW, HYD. OIL PILOT SPEC.)



見出しNo. 1は、見出しNo. 2から247を含みます。
Inc. 2 ~ 247

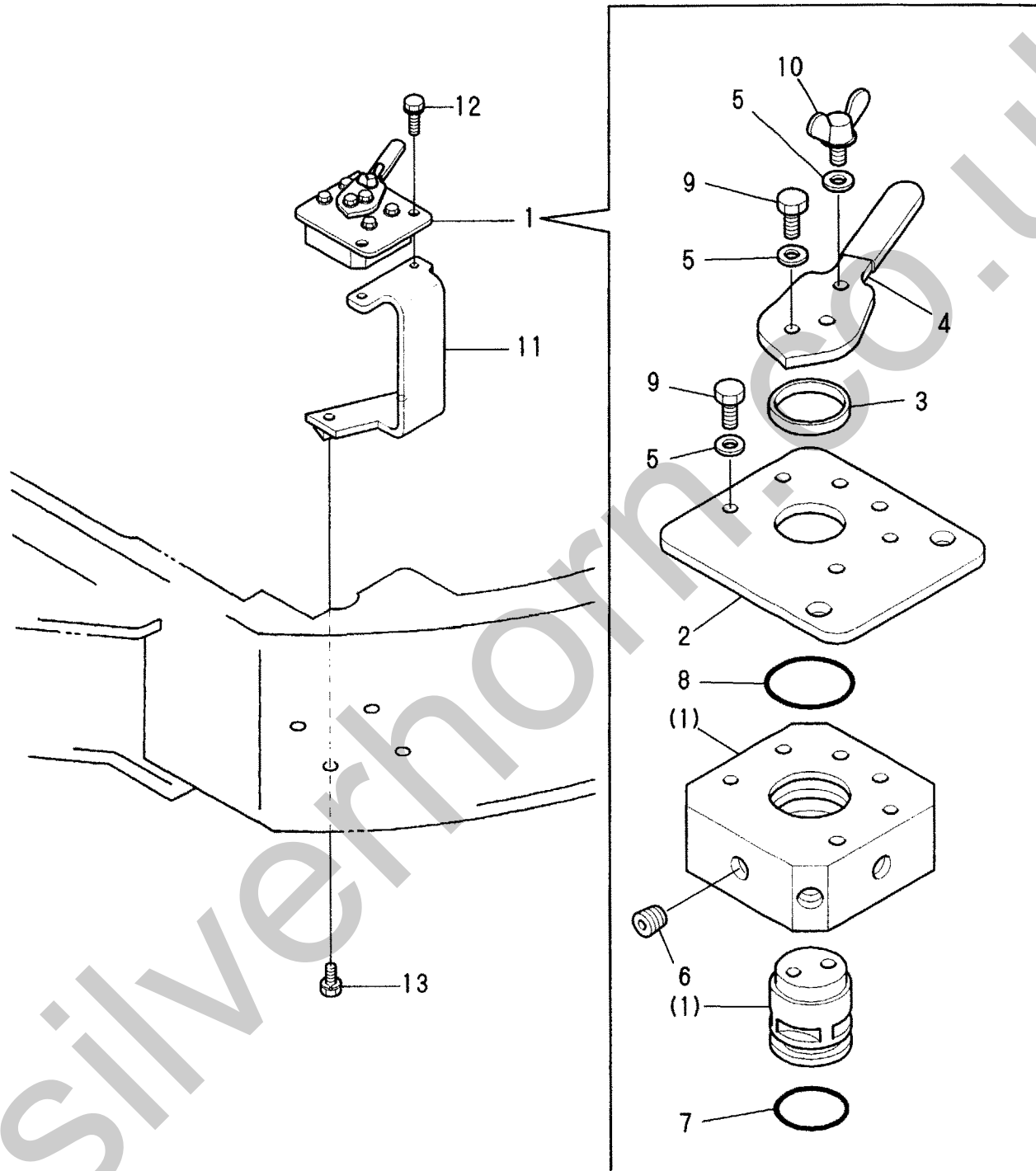
1,1,,172187-74600,, "REMO-CON VALVW ASSY",2,2,,,,,,,,,,,,,,,,,,,,,
6,2,,172187-74610,, SPRING,8,8,,,,,,,,,,,,,,,,,,,,,
7,2,,172164-74620,, DISC,2,2,,,,,,,,,,,,,,,,,,,,,
8,2,,172164-74630,, NUT,2,2,,,,,,,,,,,,,,,,,,,,,
10,2,,172151-74860,, "SHIM(COUNT. SET",8,8,,,,,,,,,,,,,,,,,,,,,
12,2,,172151-74890,, "SP (SYN.",8,8,,,,,,,,,,,,,,,,,,,,,
14,2,,172151-74910,, SEAL,8,8,,,,,,,,,,,,,,,,,,,,,
15,2,,172151-74930,, BOOT,2,2,,,,,,,,,,,,,,,,,,,,,
17,2,,172151-74950,, UNION,2,2,,,,,,,,,,,,,,,,,,,,,
19,2,,24311-000200,, "O-RING 1A P-20.0",8,8,,,,,,,,,,,,,,,,,,,,,
20,2,,24321-000700,, "O-RING 1A G70.0,NBR",2,2,,,,,,,,,,,,,,,,,,,,,
21,2,,26116-060202,, "BOLT M 6X 20",8,8,,,,,,,,,,,,,,,,,,,,,

Silverhorn.CO.UK

1,1,,172173-74600,, "2-WAY MULTI-VALVE",1,,,,,,,,,,,,,,,,,,,,,
2,2,,172173-74610,, PLATE,1,,,,,,,,,,,,,,,,,,,,,
3,2,,172175-74720,, GASKET,1,,,,,,,,,,,,,,,,,,,,,
4,2,,172175-74730,, LEVER,1,,,,,,,,,,,,,,,,,,,,,
5,2,,172151-74760,, WASHER,7,,,,,,,,,,,,,,,,,,,,,
6,2,,23871-010000,, "PLUG PT1/8,SCREW",8,,,,,,,,,,,,,,,,,,,,,
7,2,,24311-000250,, "O-RING 1A P-25.0",1,,,,,,,,,,,,,,,,,,,,,
8,2,,24311-000320,, "O-RING 1A P-32.0",1,,,,,,,,,,,,,,,,,,,,,
9,2,,26116-060162,, "BOLT 6X16",6,,,,,,,,,,,,,,,,,,,,,
10,2,,26647-060202,, "WING BOLT M 6X20",1,,,,,,,,,,,,,,,,,,,,,
11,1,,172173-74490,, "MOUNT,2WAY",1,,,,,,,,,,,,,,,,,,,,,
12,1,,26013-080252,, "BOLT M 8X 25",2,,,,,,,,,,,,,,,,,,,,,
13,1,,26013-100452,, "BOLT M10X 45",2,,,,,,,,,,,,,,,,,,,,,

Silverhorn.CO.UK

Fig. **46** 2ウェイバルブ (2ウェイマルチチェンジ)
 2WAY VALVE (2WAY MULTI CHANGE)

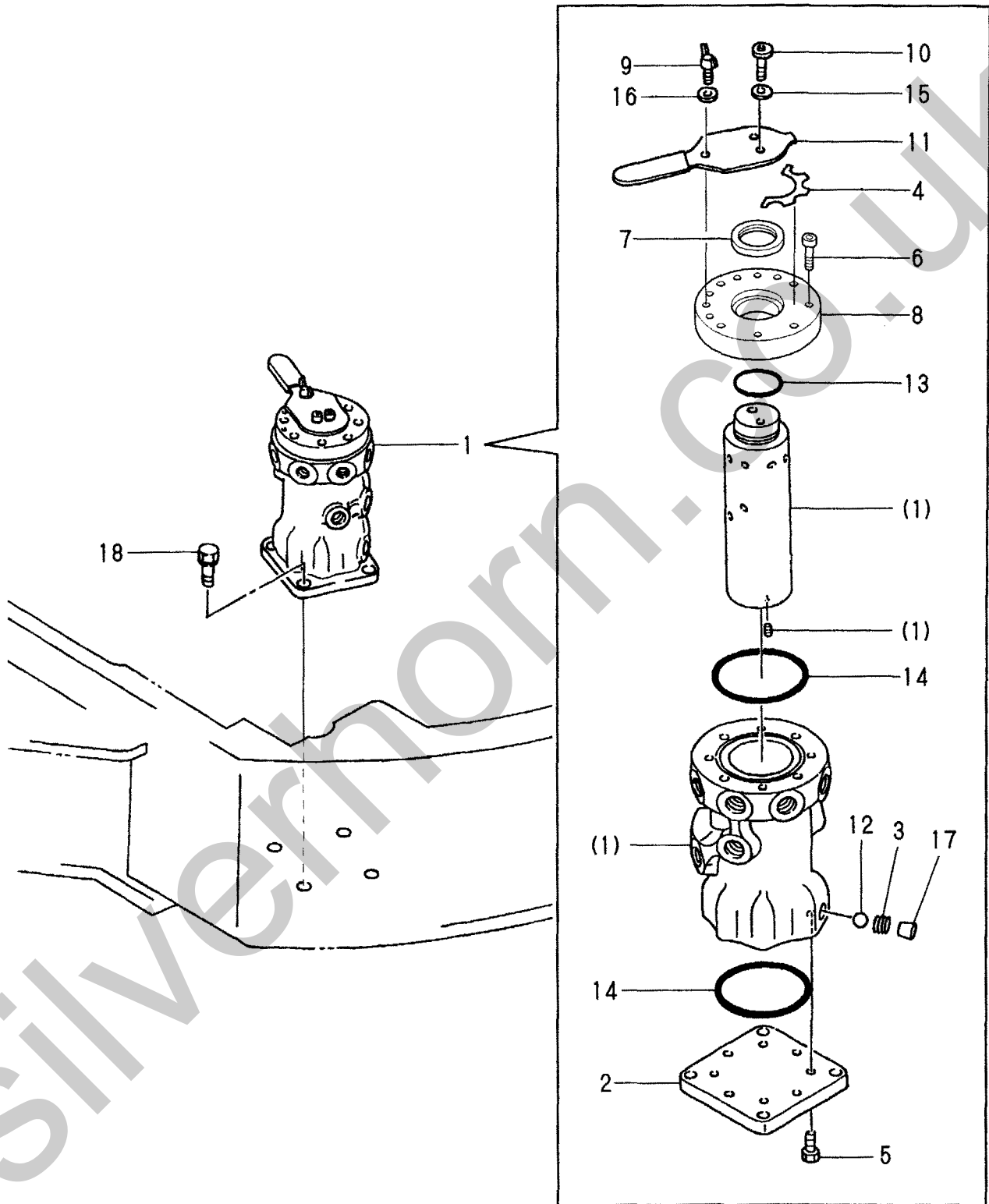


1,1,,172151-74601,,VALVE,1,,,,,,,,,,,,,
2,2,,182900-16530,,COVER,1,,,,,,,,,,,,,
3,2,,182900-22300,,SPRING,1,,,,,,,,,,,,,
4,2,,172151-74740,, "PLATE, MARK",1,,,,,,,,,,,,,
5,2,,182900-77190,,BOLT,8,,,,,,,,,,,,,
6,2,,182900-77200,,BOLT,8,,,,,,,,,,,,,
7,2,,182900-77210,, "DUST SEAL",1,,,,,,,,,,,,,
8,2,,182900-77220,,COVER,1,,,,,,,,,,,,,
9,2,,182900-77230,, "WING BOLT",1,,,,,,,,,,,,,
10,2,,182900-77240,,BOLT,2,,,,,,,,,,,,,
11,2,,182900-77250,,LEVER,1,,,,,,,,,,,,,
12,2,,24190-100001,, "BALL 5/16, STEEL",1,,,,,,,,,,,,,
13,2,,24311-000280,, "O-RING 1A P-28.0",1,,,,,,,,,,,,,
14,2,,24321-000600,, "O-RING 1A G-60.0",2,,,,,,,,,,,,,
15,2,,953KM0-00220,,WASHER,2,,,,,,,,,,,,,
16,2,,953KM0-00220,,WASHER,1,,,,,,,,,,,,,
17,2,,953KM0-10894,,PLUG,1,,,,,,,,,,,,,
18,1,,26013-100302,, "BOLT M10X 30",4,,,,,,,,,,,,,

Silverhorn.CO.UK

Fig. **47** ロータリバルブ (4ウェイマルチチェンジ)
ROTARY VALVE (4WAY MULTI CHANGE)

M/#10501~

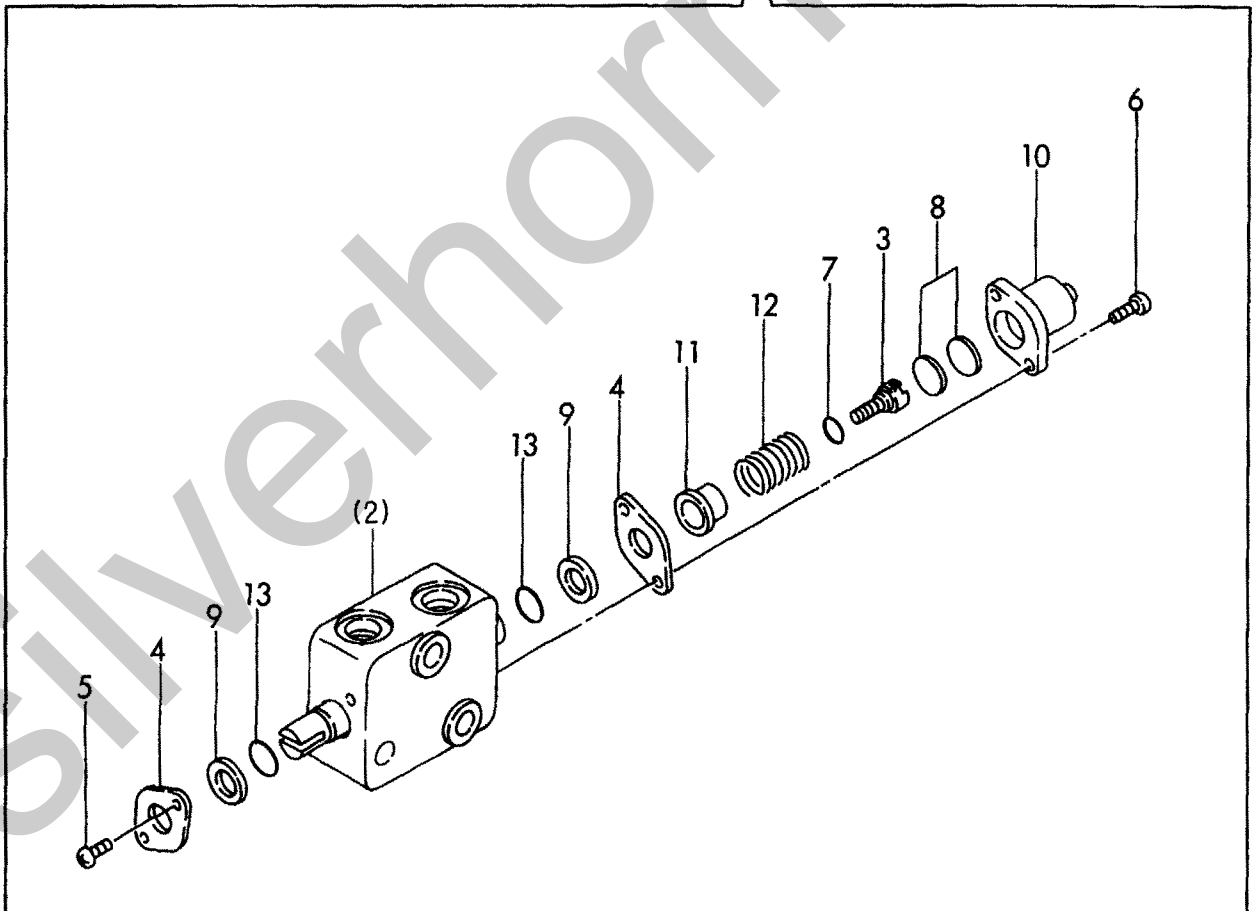
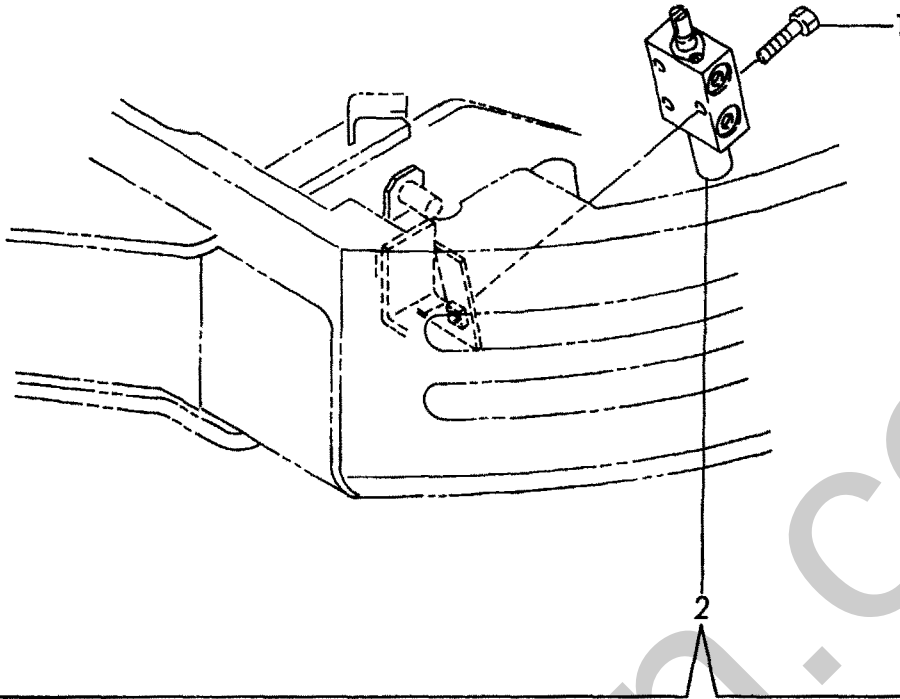


1,1,,26013-100502,, "BOLT M10X 50",2,2,,,,,,,,,,,,,,,,,,,,,
2,1,,172147-74130,, VALVE,1,1,,,,,,,,,,,,,,,,,,,,,
3,2,,172147-74140,, SCREW,1,1,,,,,,,,,,,,,,,,,,,,,
4,2,,172116-74190,, "PLATE, SEAL",2,2,,,,,,,,,,,,,,,,,,,,,
5,2,,172116-74220,, SCREW,2,2,,,,,,,,,,,,,,,,,,,,,
6,2,,172116-74230,, "HEAD BOLT, SOCKET",2,2,,,,,,,,,,,,,,,,,,,,,
7,2,,172122-74270,, O-RING,1,1,,,,,,,,,,,,,,,,,,,,,
8,2,,172116-74390,, SPACER,2,2,,,,,,,,,,,,,,,,,,,,,
9,2,,933166-80520,, WIPER,2,2,,,,,,,,,,,,,,,,,,,,,
10,2,,933166-80530,, CAP,1,1,,,,,,,,,,,,,,,,,,,,,
11,2,,933171-80510,, "SEAT, SPRING",1,1,,,,,,,,,,,,,,,,,,,,,
12,2,,933171-80540,, SPRING,1,1,,,,,,,,,,,,,,,,,,,,,
13,2,,933171-80610,, O-RING,2,2,,,,,,,,,,,,,,,,,,,,,

Silverhorn.CO.UK

Fig. **48** ローハイバルブ (旧形)
LOW-HIGH VALVE (PREVIOUS)

~M/#10500

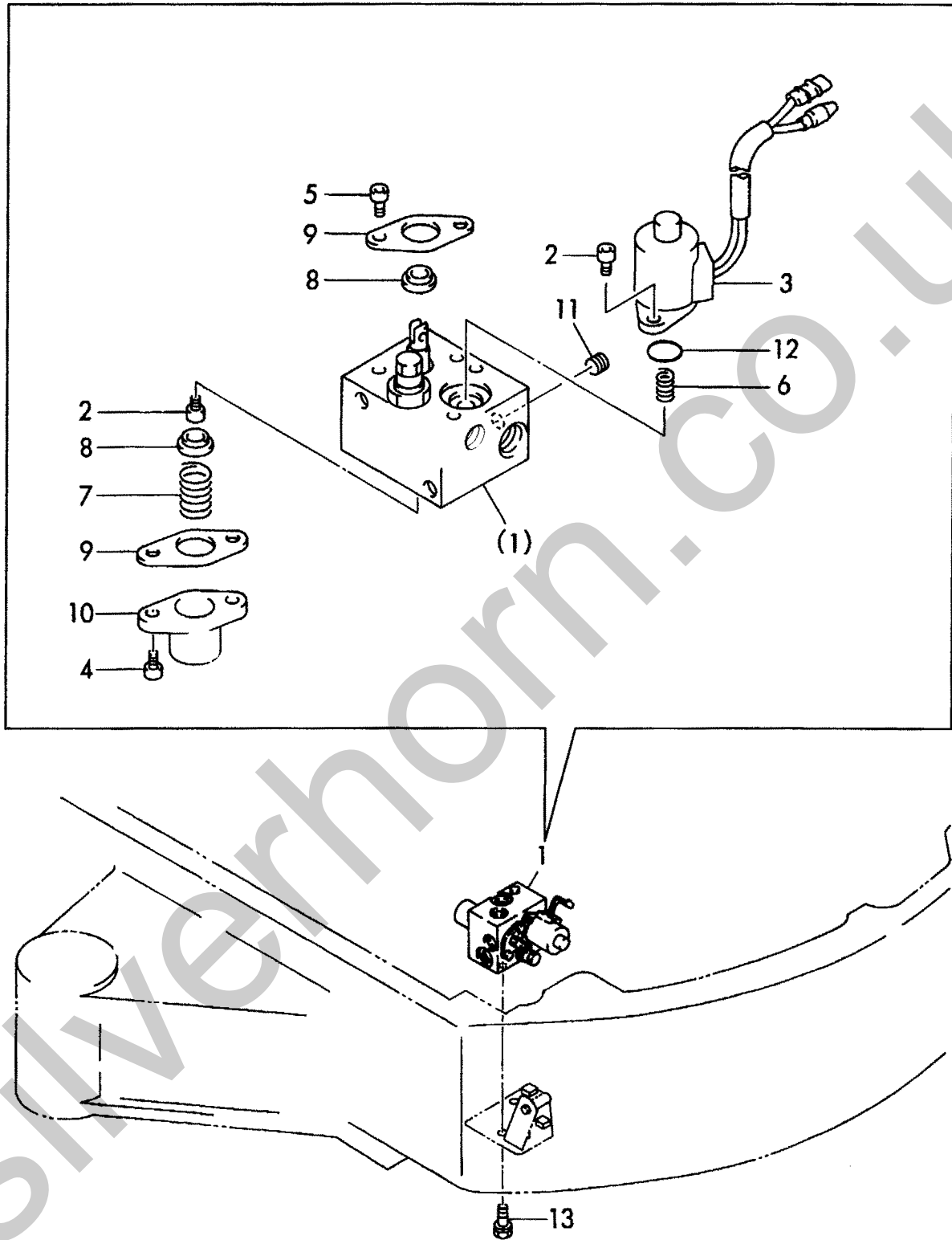


1,1,,172165-74705,, "VALVE ASSY LOW-HIGH",1,1,,,,,,,,,,,,,,,,,,,,,
2,2,,172151-74420,, "BOLT M 4X 10",3,3,,,,,,,,,,,,,,,,,,,,,
3,2,,172165-74710,, SOLENOID,1,1,,,,,,,,,,,,,,,,,,,,,
4,2,,172165-74720,, "BOLT M5X16,HEX.SCKT.",2,2,,,,,,,,,,,,,,,,,,,,,
5,2,,172165-74730,, "BOLT M5X8,HEX.SCKT.",2,2,,,,,,,,,,,,,,,,,,,,,
6,2,,172165-74740,, SPRING,1,1,,,,,,,,,,,,,,,,,,,,,
7,2,,172165-74760,, SPRING,1,1,,,,,,,,,,,,,,,,,,,,,
8,2,,172165-74770,, PACKING,2,2,,,,,,,,,,,,,,,,,,,,,
9,2,,172165-74780,, PLATE,2,2,,,,,,,,,,,,,,,,,,,,,
10,2,,172165-74790,, COVER,1,1,,,,,,,,,,,,,,,,,,,,,
11,2,,23871-010000,, "PLUG PT1/8,SCREW",1,1,,,,,,,,,,,,,,,,,,,,,
12,2,,24311-000160,, "O-RING 1A P-16.0",1,1,,,,,,,,,,,,,,,,,,,,,
13,1,,26013-080162,, "BOLT W/WASHER M8X16",2,2,,,,,,,,,,,,,,,,,,,,,

Silverhorn.CO.UK

Fig. **49** ローハイバルブ (新形, 油圧パイロット仕様)
LOW-HIGH VALVE (NEW, HYD. OIL PILOT SPEC.)

M/#10501~

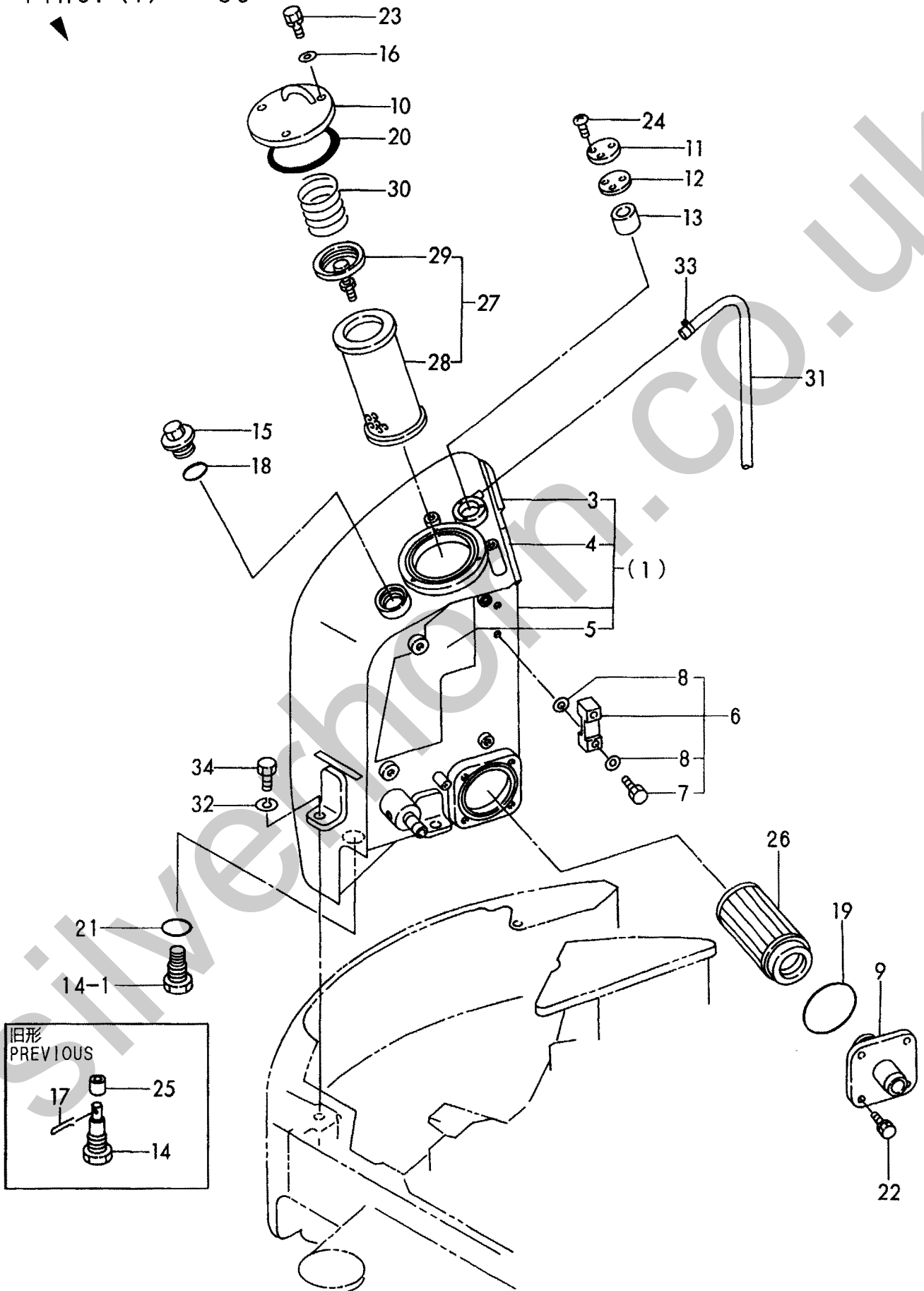


1,1,,772183-75100,, "RESERVOIR ASSY.",1,1,,,,,,,,,,,,,
 3,3,,172183-14230,, "RUBBER 450,SEAL",1,1,,,,,,,,,,,,,
 4,3,,172519-65300,, RUBBER,1,1,,,,,,,,,,,,,
 5,3,,172183-75490,, "INSULANT,RSVR.THERML",1,1,,,,,,,,,,,,,
 6,2,,172122-75600,, "GAUGE, OIL LEVEL",1,1,,,,,,,,,,,,,
 7,3,,172122-75620,, BOLT,2,2,,,,,,,,,,,,,
 8,3,,172122-75630,, GASKET,4,4,,,,,,,,,,,,,
 9,2,,172183-75410,, "FLANGE,SUCTION (ZN)",1,1,,,,,,,,,,,,,
 10,2,,172141-75430,, "COVER, INTAKE",1,1,,,,,,,,,,,,,
 11,2,,172165-75450-5,, "PLATE (GREEN:96)",1,1,,,,,,,,,,,,,
 12,2,,172165-75460,, GASKET,1,1,,,,,,,,,,,,,
 13,2,,172165-75481,, ELEMENT,1,1,,,,,,,,,,,,,
 14,2,,172183-75750,, "PLUG 24, DRAIN",1,1,,,,,,,,,,,,,
 14-1,2,,172187-75500,, "PLUG
 24",1,1,,,,,R,,72422067,M/#02556,72422067,M/#02556,,,,,
 15,2,,172116-75850-5,, "PLUG,OIL FEED (96)",1,1,,,,,,,,,,,,,
 16,2,,22137-080000,, "WASHER 8, POLISHED",1,1,,,,,,,,,,,,,
 17,2,,22417-200160,, "COTTER PIN
 2.0X16",1,1,,,,,Z,,72422067,M/#02556,72422067,M/#02556,,,,,
 18,2,,24311-000380,, "O-RING 1A P-38.0",1,1,,,,,,,,,,,,,
 19,2,,24321-001050,, "O-RING 1A G-105.0",1,1,,,,,,,,,,,,,
 20,2,,24321-001050,, "O-RING 1A G-105.0",1,1,,,,,,,,,,,,,
 21,2,,24341-000300,, "O-RING 1A S-30.0",1,1,,,,,,,,,,,,,
 22,2,,26013-080162,, "BOLT W/WASHER M8X16",4,4,,,,,,,,,,,,,
 23,2,,26013-080202,, "BOLT W/WASHER M8X20",3,3,,,,,,,,,,,,,
 24,2,,26022-050102,, "SCREW M 5X 10",3,3,,,,,,,,,,,,,
 25,2,,933171-23042,, MAGNET,1,1,,,,,Z,,72422067,M/#02556,72422067,M/#02556,,,,,
 26,2,,172146-73730,, "FILTER, SUCTION",1,1,,,,,,,,,,,,,
 27,2,,172141-73750,, "FILTER ASSY, RETURN",1,1,,,,,,,,,,,,,
 28,3,,172141-73760,, ELEMENT,1,1,,,,,,,,,,,,,
 29,3,,172141-73770,, "VALVE ASSY, BYPASS",1,1,,,,,,,,,,,,,
 30,2,,933152-02710,, "SPRING, SIDE CLUTCH",1,1,,,,,,,,,,,,,
 31,1,,172183-75360,, HOSE,1,1,,,,,,,,,,,,,
 32,1,,22217-140000,, "SPRING WASHER 14",3,3,,,,,,,,,,,,,
 33,1,,23080-010000,, "CLAMP 10",1,1,,,,,,,,,,,,,
 33-1,1,,124766-59050,, "CLAMP
 12",1,1,,,,,N,,72187221,M/#02100,72187221,M/#02100,,,,,
 34,1,,26116-140352,, "BOLT M14X 35 PLATED",3,3,,,,,,,,,,,,,



Fig. 50 作動油タンク HYD. OIL TANK

見出しNo. 1は、見出しNo. (1) から30を含みます。
1 inc. (1) ~ 30

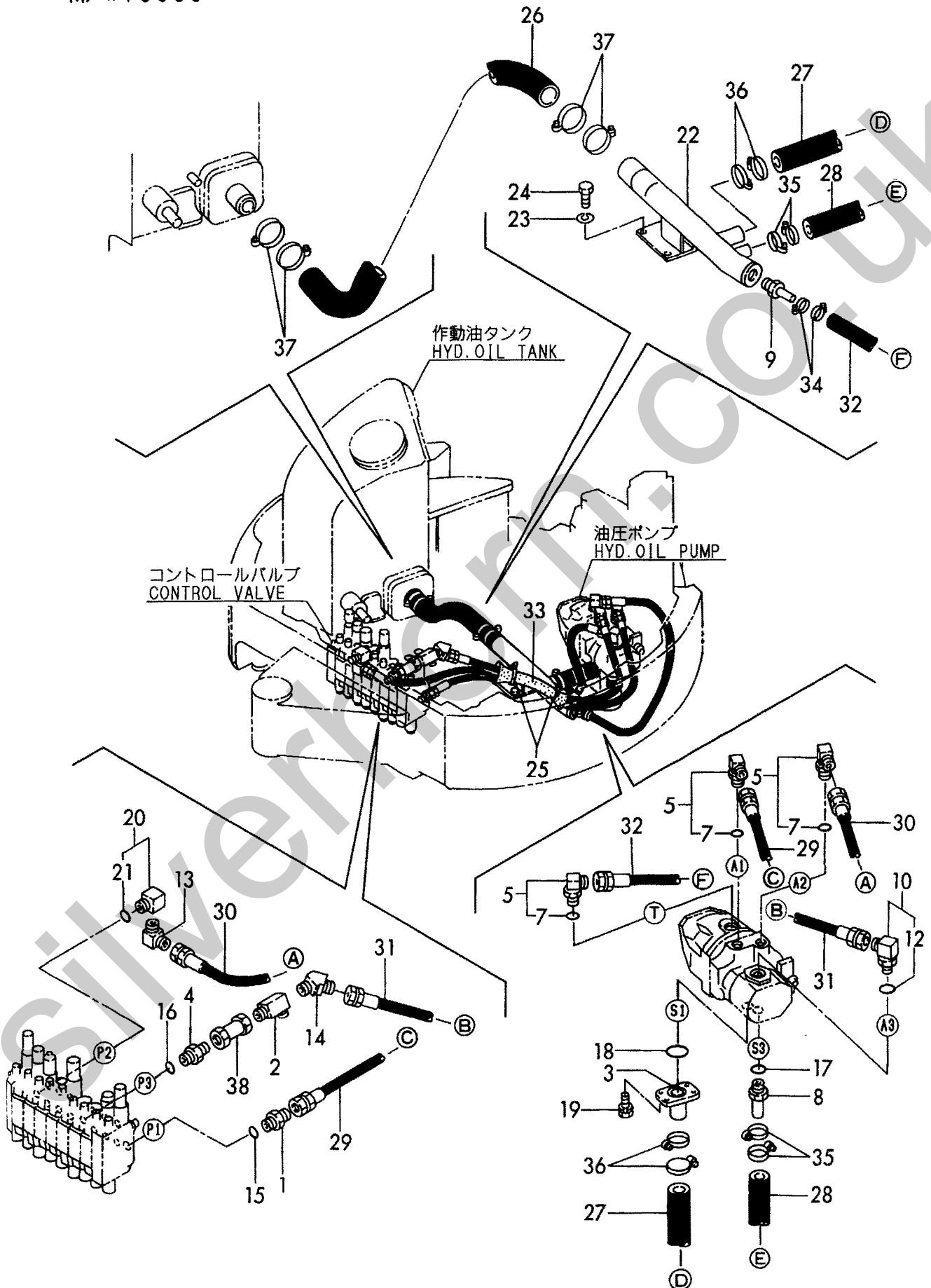


1,1,,172730-75140,,ADAPTOR,1,1,,,,,,,,,,,,,,,,,,,,,
2,1,,172183-76110,,,"JOINT 3/8,3-WAY",1,1,,,,,,,,,,,,,,,,,,,,,
3,1,,172116-76160,,,"FLANGE, SUCTION",1,1,,,,,,,,,,,,,,,,,,,,,
4,1,,172147-76170,,CONNECTOR,1,1,,,,,,,,,,,,,,,,,,,,,
5,1,,172142-76180,,JOINT,3,3,,,,,,,,,,,,,,,,,,,,,
7,2,,24315-000140,,,"O-RING 1B P-14.0",3,3,,,,,,,,,,,,,,,,,,,,,
8,1,,172183-76190,,,"JOINT PF1/2",1,1,,,,,,,,,,,,,,,,,,,,,
9,1,,172183-76220,,,"CONNECTR.PT3/8,DRAIN",1,1,,,,,,,,,,,,,,,,,,,,,
10,1,,172157-76300,,,"ELBOW 3/8-1/2",1,1,,,,,,,,,,,,,,,,,,,,,
12,2,,24315-000180,,,"O-RING 1B P-18.0",1,1,,,,,,,,,,,,,,,,,,,,,
13,1,,23393-030000,,,"JOINT 90RGI 3/8",1,1,,,,,,,,,,,,,,,,,,,,,
14,1,,23394-030000,,,"JOINT 45RGI 3/8",1,1,,,,,,,,,,,,,,,,,,,,,
15,1,,24315-000140,,,"O-RING 1B P-14.0",1,1,,,,,,,,,,,,,,,,,,,,,
16,1,,24315-000140,,,"O-RING 1B P-14.0",1,1,,,,,,,,,,,,,,,,,,,,,
17,1,,24315-000180,,,"O-RING 1B P-18.0",1,1,,,,,,,,,,,,,,,,,,,,,
18,1,,24315-000300,,,"O-RING 1B P-30.0",1,1,,,,,,,,,,,,,,,,,,,,,
19,1,,26013-100202,,,"BOLT W/WASHER M10X20",4,4,,,,,,,,,,,,,,,,,,,,,
20,1,,933111-50001,,CONNECTOR,1,1,,,,,,,,,,,,,,,,,,,,,
21,2,,24315-000140,,,"O-RING 1B P-14.0",1,1,,,,,,,,,,,,,,,,,,,,,
22,1,,172183-76400,,,"TUBE COMP.,SUCTION",1,1,,,,,,,,,,,,,,,,,,,,,
23,1,,22217-100000,,,"SPRING WASHER 10",2,2,,,,,,,,,,,,,,,,,,,,,
24,1,,26116-100202,,,"BOLT M10X 20 PLATED",2,2,,,,,,,,,,,,,,,,,,,,,
25,1,,194250-51660,,,"BAND 250",2,2,,,,,,,,,,,,,,,,,,,,,
26,1,,172183-78010,,,"HOSE 38.1X50.2",1,1,,,,,,,,,,,,,,,,,,,,,
27,1,,172183-78030,,,"HOSE 25.4X37.5",1,1,,,,,,,,,,,,,,,,,,,,,
28,1,,172183-78050,,,"HOSE 19.0X31.4",1,1,,,,,,,,,,,,,,,,,,,,,
29,1,,172183-78110,,,"HOSE H206BB078",1,1,,,,,,,,,,,,,,,,,,,,,
30,1,,172183-78120,,,"HOSE H206BB098",1,1,,,,,,,,,,,,,,,,,,,,,
31,1,,172183-78130,,,"HOSE H206BB056",1,1,,,,,,,,,,,,,,,,,,,,,
32,1,,172183-78150,,,"HOSE G806BY055S",1,1,,,,,,,,,,,,,,,,,,,,,
33,1,,172183-78180,,,"COVER 52.5X200,HOSE",1,1,,,,,,,,,,,,,,,,,,,,,
34,1,,23000-016000,,,"CLAMP 16",2,2,,,,,,,,,,,,,,,,,,,,,
35,1,,23000-035000,,,"CLAMP 35",4,4,,,,,,,,,,,,,,,,,,,,,
36,1,,23000-041000,,,"CLAMP 41",4,4,,,,,,,,,,,,,,,,,,,,,
37,1,,23000-060000,,,"CLAMP 60",4,4,,,,,,,,,,,,,,,,,,,,,
38,1,,172183-74110,,,"VALVE COMP.,CHECK",1,1,,,,,,,,,,,,,,,,,,,,,



Fig. 51 油圧配管 (タンク~ポンプ~バルブ) (旧形)
 HYD. OIL PIPING (TANK~PUMP~VALVE) (PREVIOUS)

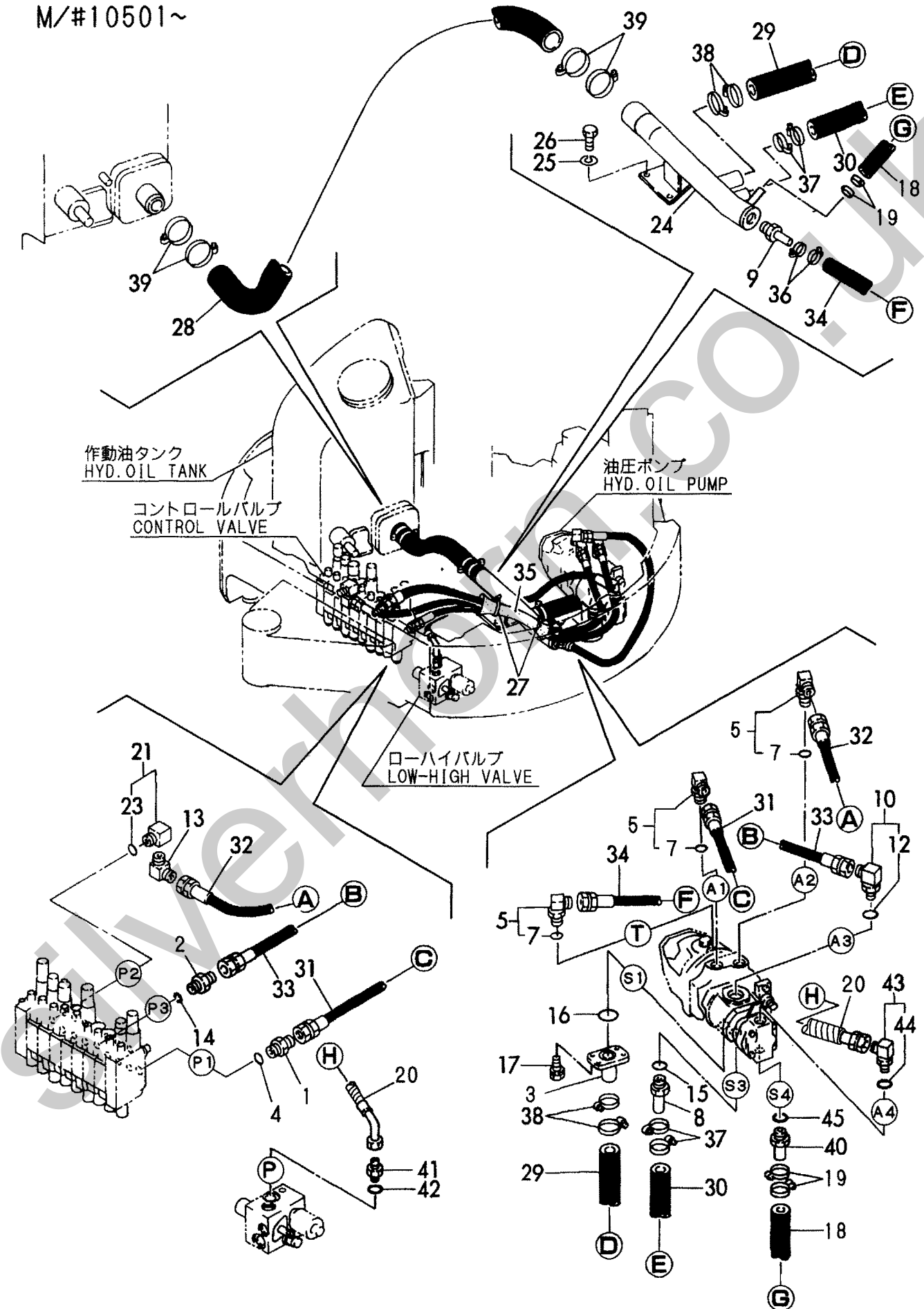
~M/#10500



1,1,,172730-75140,,ADAPTOR,1,1,,,,,,,,,,,,,
2,1,,172730-75140,,ADAPTOR,1,1,,,,,,,,,,,,,
3,1,,172116-76160,, "FLANGE, SUCTION",1,1,,,,,,,,,,,,,
4,1,,24315-000140,, "O-RING 1B P-14.0",1,1,,,,,,,,,,,,,
5,1,,172142-76180,, JOINT,3,3,,,,,,,,,,,,,
7,2,,24315-000140,, "O-RING 1B P-14.0",3,3,,,,,,,,,,,,,
8,1,,172183-76190,, "JOINT PF1/2",1,1,,,,,,,,,,,,,
9,1,,172183-76220,, "CONNECTR.PT3/8,DRAIN",1,1,,,,,,,,,,,,,
10,1,,172157-76300,, "ELBOW 3/8-1/2",1,1,,,,,,,,,,,,,
12,2,,24315-000180,, "O-RING 1B P-18.0",1,1,,,,,,,,,,,,,
13,1,,23393-030000,, "JOINT 90RGI 3/8",1,1,,,,,,,,,,,,,
14,1,,24315-000140,, "O-RING 1B P-14.0",1,1,,,,,,,,,,,,,
15,1,,24315-000180,, "O-RING 1B P-18.0",1,1,,,,,,,,,,,,,
16,1,,24315-000300,, "O-RING 1B P-30.0",1,1,,,,,,,,,,,,,
17,1,,26013-100202,, "BOLT W/WASHER M10X20",4,4,,,,,,,,,,,,,
18,1,,172173-78060,, "HOSE 15.9 23.5",1,1,,,,,,,,,,,,,
19,1,,23000-022000,, "CLAMP 22",4,4,,,,,,,,,,,,,
20,1,,172173-78140,, HOSE,1,1,,,,,,,,,,,,,
21,1,,933111-50001,, CONNECTOR,1,1,,,,,,,,,,,,,
23,2,,24315-000140,, "O-RING 1B P-14.0",1,1,,,,,,,,,,,,,
24,1,,172173-76400,, "PIPE. SUCTION",1,1,,,,,,,,,,,,,
25,1,,22217-100000,, "SPRING WASHER 10",2,2,,,,,,,,,,,,,
26,1,,26116-100202,, "BOLT M10X 20 PLATED",2,2,,,,,,,,,,,,,
27,1,,194250-51660,, "BAND 250",2,2,,,,,,,,,,,,,
28,1,,172183-78010,, "HOSE 38.1X50.2",1,1,,,,,,,,,,,,,
29,1,,172183-78030,, "HOSE 25.4X37.5",1,1,,,,,,,,,,,,,
30,1,,172183-78050,, "HOSE 19.0X31.4",1,1,,,,,,,,,,,,,
31,1,,172183-78110,, "HOSE H206BB078",1,1,,,,,,,,,,,,,
32,1,,172183-78120,, "HOSE H206BB098",1,1,,,,,,,,,,,,,
33,1,,172183-78130,, "HOSE H206BB056",1,1,,,,,,,,,,,,,
34,1,,172183-78150,, "HOSE G806BY055S",1,1,,,,,,,,,,,,,
35,1,,172173-78180,, "COVER, HOSE",1,1,,,,,,,,,,,,,
36,1,,23000-016000,, "CLAMP 16",2,2,,,,,,,,,,,,,
37,1,,23000-035000,, "CLAMP 35",4,4,,,,,,,,,,,,,
38,1,,23000-041000,, "CLAMP 41",4,4,,,,,,,,,,,,,
39,1,,23000-060000,, "CLAMP 60",4,4,,,,,,,,,,,,,
40,1,,172157-76130,, "JOINT PF1/2",1,1,,,,,,,,,,,,,
41,1,,172157-76150,, "CONNECTOR 3/8-1/4",1,1,,,,,,,,,,,,,
42,1,,24315-000140,, "O-RING 1B P-14.0",1,1,,,,,,,,,,,,,
43,1,,172141-76920,, "CONNECTOR 3/8-1/4L",1,1,,,,,,,,,,,,,
44,2,,24315-000140,, "O-RING 1B P-14.0",1,1,,,,,,,,,,,,,
45,1,,24315-000180,, "O-RING 1B P-18.0",1,1,,,,,,,,,,,,,

Fig. 52 油圧配管 (タンク~ポンプ~バルブ) (新形, 油圧パイロット仕様)
 HYD. OIL PIPING (TANK~PUMP~VALVE) (NEW, HYD. OIL PILOT SPEC.)

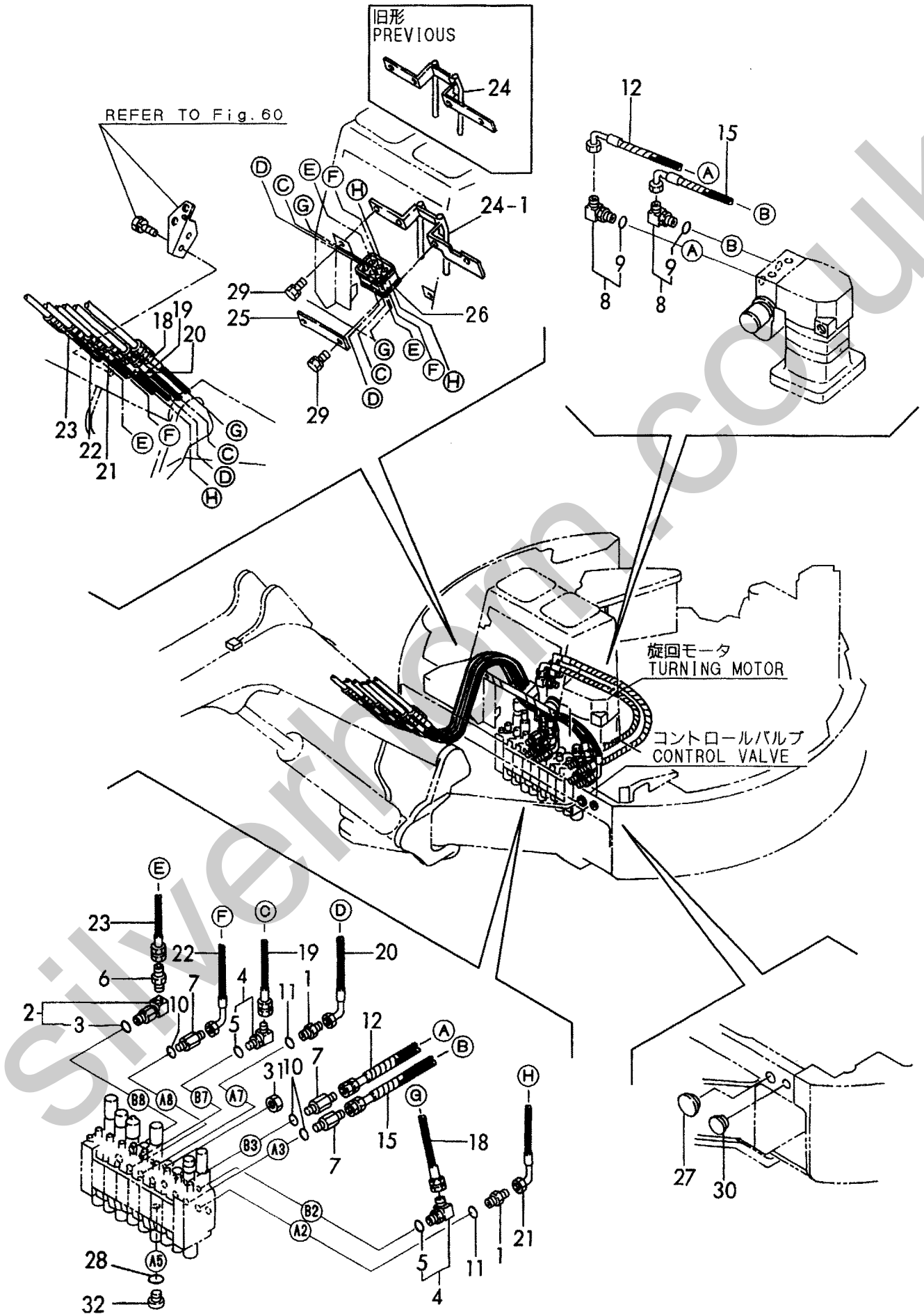
M/#10501~



1,1,,172123-76120,, "CONNECTOR PF1/4",2,2,,,,,,,,,,,,,,,,,,,,,
 2,1,,172183-76130,, "CONNECTOR 3/8 COMPL.",1,1,,,,,,,,,,,,,,,,,,,,,
 3,2,,24315-000110,, "O-RING 1B P-11.0",1,1,,,,,,,,,,,,,,,,,,,,,
 4,1,,172141-76180,,CONNECTOR,2,2,,,,,,,,,,,,,,,,,,,,,
 5,2,,24315-000110,, "O-RING 1B P-11.0",2,2,,,,,,,,,,,,,,,,,,,,,
 6,1,,172312-76190,, "NIPPLE 3/8X1/4",1,1,,,,,,,,,,,,,,,,,,,,,
 7,1,,172183-76200,, "CONNECTOR 1/4-1/4",3,3,,,,,,,,,,,,,,,,,,,,,
 8,1,,172141-76920,, "CONNECTOR 3/8-1/4L",2,2,,,,,,,,,,,,,,,,,,,,,
 9,2,,24315-000140,, "O-RING 1B P-14.0",2,2,,,,,,,,,,,,,,,,,,,,,
 10,1,,24315-000110,, "O-RING 1B P-11.0",3,3,,,,,,,,,,,,,,,,,,,,,
 11,1,,24315-000110,, "O-RING 1B P-11.0",2,2,,,,,,,,,,,,,,,,,,,,,
 12,1,,172157-78180,,HOSE,1,1,,,,,,,,,,,,,,,,,,,,,
 15,1,,172157-78180,,HOSE,1,1,,,,,,,,,,,,,,,,,,,,,
 18,1,,172183-78810,,HOSE,1,1,,,,,,,,,,,,,,,,,,,,,
 19,1,,172183-78820,,HOSE,1,1,,,,,,,,,,,,,,,,,,,,,
 20,1,,172183-78830,,HOSE,1,1,,,,,,,,,,,,,,,,,,,,,
 21,1,,172183-78840,,HOSE,1,1,,,,,,,,,,,,,,,,,,,,,
 22,1,,172183-78850,,HOSE,1,1,,,,,,,,,,,,,,,,,,,,,
 23,1,,172183-78860,,HOSE,1,1,,,,,,,,,,,,,,,,,,,,,
 24,1,,172183-78901,, "SUPPORT COMP.,HOSE",1,,,,,,,,,,,,,,,,,,,,,
 24-1,1,,172183-78902,, "SUPPOT ASSY, HOSE",1,1,,,,,N,,72183159,M/#01605,,,,,
 25,1,,172183-78950,,PLATE,1,1,,,,,,,,,,,,,,,,,,,,,
 26,1,,172183-78960,, "CLAMP,RUBBER",1,1,,,,,,,,,,,,,,,,,,,,,
 27,1,,172183-76210,, "GROMMET 18",1,1,,,,,,,,,,,,,,,,,,,,,
 28,1,,24315-000140,, "O-RING 1B P-14.0",1,1,,,,,,,,,,,,,,,,,,,,,
 29,1,,26013-100252,, "BOLT W/WASHER M10X25",4,4,,,,,,,,,,,,,,,,,,,,,
 30,1,,172312-17260,, "GROMMET 22X2.3",1,1,,,,,,,,,,,,,,,,,,,,,
 31,1,,172137-75570,, "ADAPTER PF1/2",1,1,,,,,,,,,,,,,,,,,,,,,
 32,1,,172183-76180,, "PLUG PF3/8,BLANK",1,1,,,,,,,,,,,,,,,,,,,,,



Fig. 53 油圧配管 (バルブ~モータ, ブーム)
 HYD. OIL PIPING (VALVE~MOTOR, BOOM)

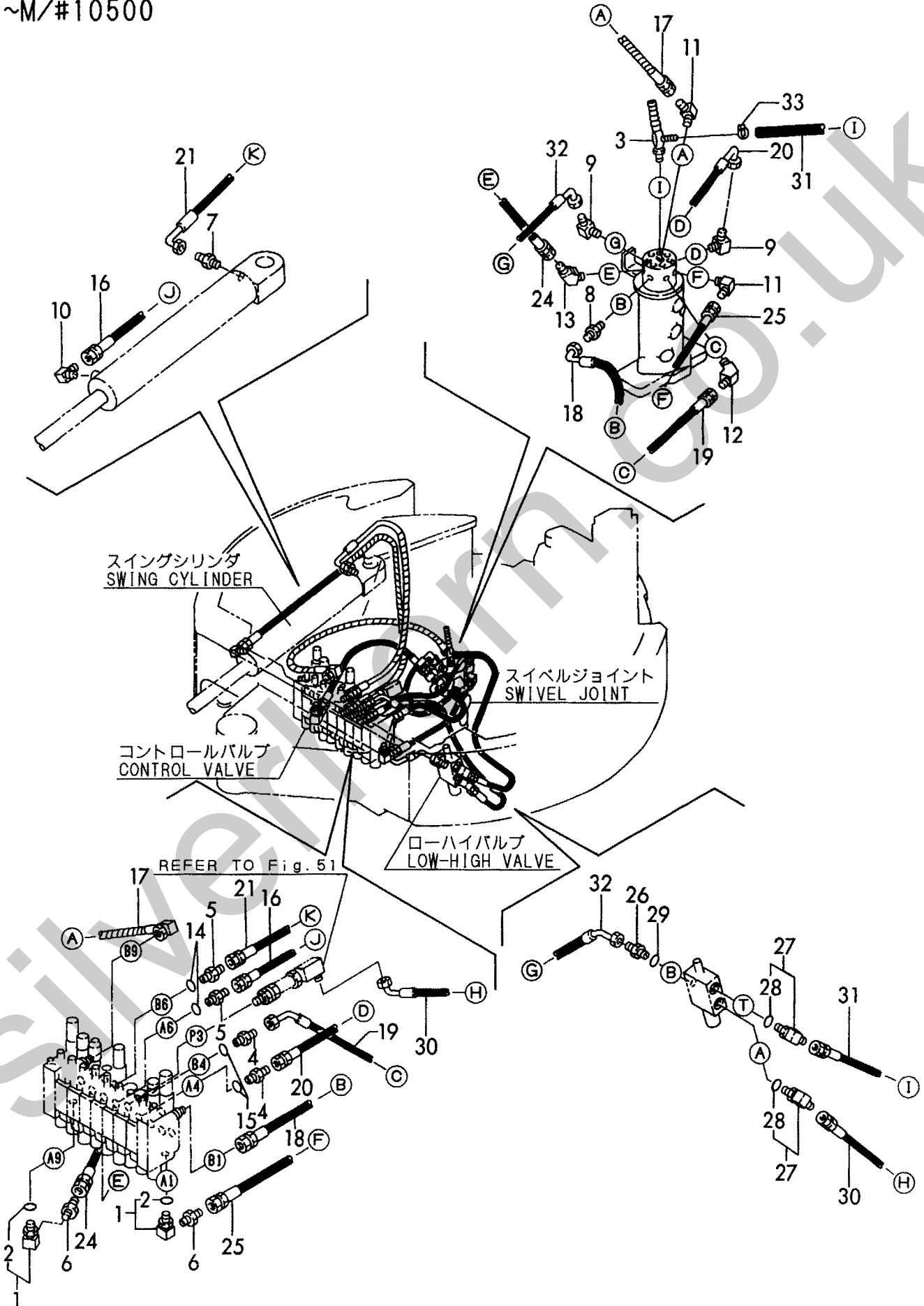


1,1,,172137-76100,, "ELBOW PF1/4",2,2,,,,,,,,,,,,,,,,,,,,,
2,2,,24315-000110,, "O-RING 1B P-11.0",2,2,,,,,,,,,,,,,,,,,,,,,
3,1,,172183-76100,, "JOINT,3-WAY",1,1,,,,,,,,,,,,,,,,,,,,,
4,1,,172123-76120,, "CONNECTOR PF1/4",2,2,,,,,,,,,,,,,,,,,,,,,
5,1,,172183-76200,, "CONNECTOR 1/4-1/4",2,2,,,,,,,,,,,,,,,,,,,,,
6,1,,172312-76240,, "NIPPLE 1/4-3/8",2,2,,,,,,,,,,,,,,,,,,,,,
7,1,,23391-020000,, "JOINT RGI1/4",1,1,,,,,,,,,,,,,,,,,,,,,
8,1,,23391-030000,, "JOINT RGI 3/8",1,1,,,,,,,,,,,,,,,,,,,,,
9,1,,23393-020000,, "JOINT 90RGI1/4",2,2,,,,,,,,,,,,,,,,,,,,,
10,1,,23393-020000,, "JOINT 90RGI1/4",1,1,,,,,,,,,,,,,,,,,,,,,
11,1,,23393-030000,, "JOINT 90RGI 3/8",2,2,,,,,,,,,,,,,,,,,,,,,
12,1,,23394-020000,, "JOINT 45RGI1/4",1,1,,,,,,,,,,,,,,,,,,,,,
13,1,,23394-030000,, "JOINT 45RGI 3/8",1,1,,,,,,,,,,,,,,,,,,,,,
14,1,,24315-000110,, "O-RING 1B P-11.0",2,2,,,,,,,,,,,,,,,,,,,,,
15,1,,24315-000110,, "O-RING 1B P-11.0",2,2,,,,,,,,,,,,,,,,,,,,,
16,1,,172183-78500,, "HOSE",1,1,,,,,,,,,,,,,,,,,,,,,
17,1,,172183-78550,, "HOSE P206BV044S",1,1,,,,,,,,,,,,,,,,,,,,,
18,1,,172183-78560,, "HOSE P206BC038",1,1,,,,,,,,,,,,,,,,,,,,,
19,1,,172183-78570,, "HOSE P204BE032",1,1,,,,,,,,,,,,,,,,,,,,,
20,1,,172183-78580,, "HOSE P204BC038",1,1,,,,,,,,,,,,,,,,,,,,,
21,1,,172142-78590,, "HOSE",1,1,,,,,,,,,,,,,,,,,,,,,
24,1,,172183-78590,, "HOSE P206BB036",1,1,,,,,,,,,,,,,,,,,,,,,
24-1,1,,172421-78170,, "HOSE",1,1,,,,,N,,72421049,M/#02706,72421049,M/#02706,,,,,,
25,1,,172183-78590,, "HOSE P206BB036",1,1,,,,,,,,,,,,,,,,,,,,,
26,1,,172123-76120,, "CONNECTOR PF1/4",1,1,,,,,,,,,,,,,,,,,,,,,
27,1,,172141-76180,, "CONNECTOR",2,2,,,,,,,,,,,,,,,,,,,,,
28,2,,24315-000110,, "O-RING 1B P-11.0",2,2,,,,,,,,,,,,,,,,,,,,,
29,1,,24315-000110,, "O-RING 1B P-11.0",1,1,,,,,,,,,,,,,,,,,,,,,
30,1,,172183-78450,, "HOSE P204BC044",1,1,,,,,,,,,,,,,,,,,,,,,
31,1,,172183-78470,, "HOSE G804CY065",1,1,,,,,,,,,,,,,,,,,,,,,
32,1,,172183-78610,, "HOSE P204CE056",1,1,,,,,,,,,,,,,,,,,,,,,
33,1,,23010-014000,, "CLAMP 14",1,1,,,,,,,,,,,,,,,,,,,,,



Fig. 54 油圧配管 (バルブ~スイベル, スイング) (旧形)
HYD. OIL PIPING (VALVE~SWIVEL, SWING) (PREVIOUS)

~M/#10500

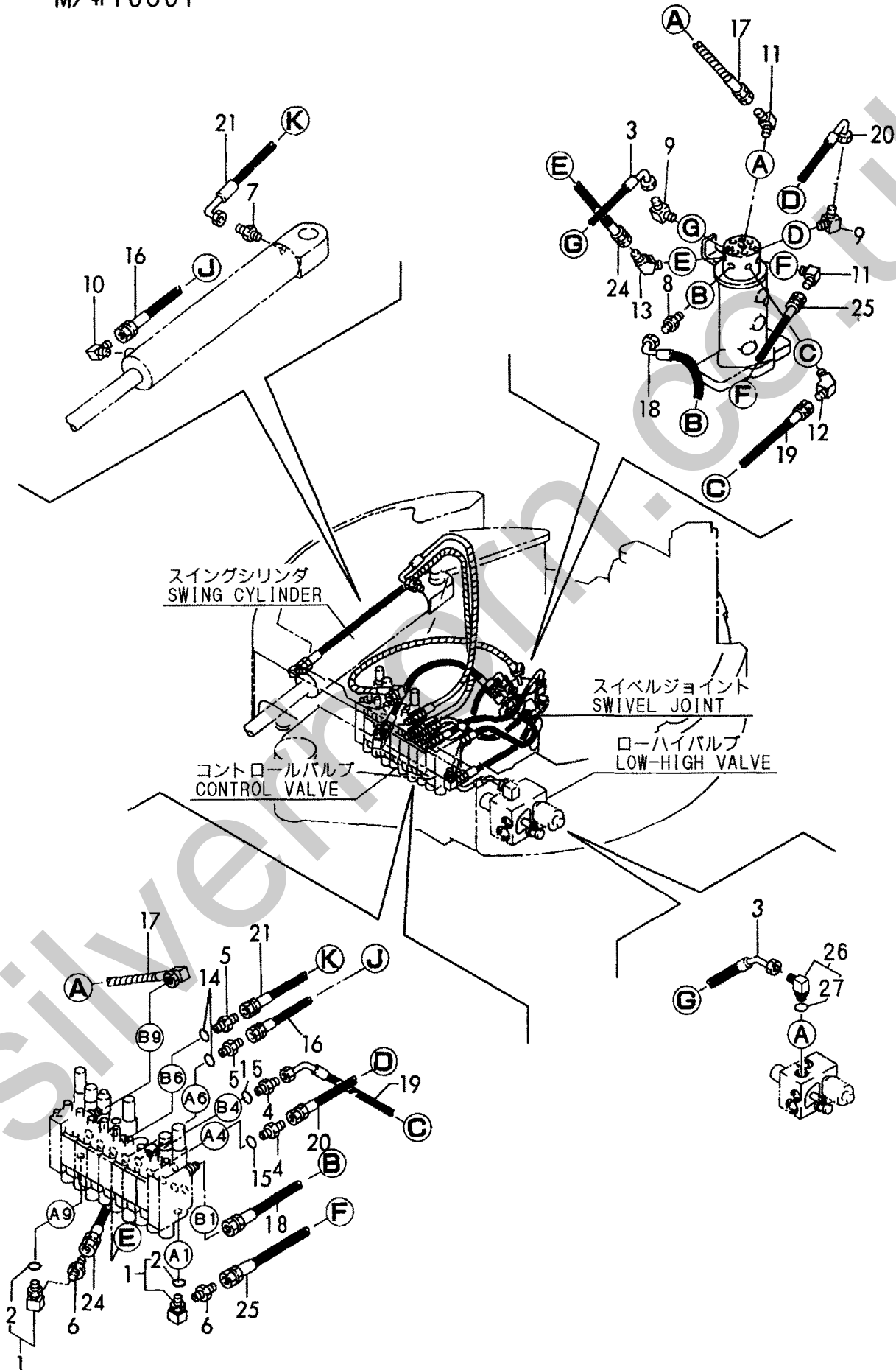


1,1,,172137-76100,, "ELBOW PF1/4",2,2,,,,,,,,,,,,,,,,,,,,,
2,2,,24315-000110,, "O-RING 1B P-11.0",2,2,,,,,,,,,,,,,,,,,,,,,
3,1,,172173-78610,, "HOSE G604CC058S",1,1,,,,,,,,,,,,,,,,,,,,,
4,1,,172123-76120,, "CONNECTOR PF1/4",2,2,,,,,,,,,,,,,,,,,,,,,
5,1,,172183-76200,, "CONNECTOR 1/4-1/4",2,2,,,,,,,,,,,,,,,,,,,,,
6,1,,172312-76240,, "NIPPLE 1/4-3/8",2,2,,,,,,,,,,,,,,,,,,,,,
7,1,,23391-020000,, "JOINT RGI1/4",1,1,,,,,,,,,,,,,,,,,,,,,
8,1,,23391-030000,, "JOINT RGI 3/8",1,1,,,,,,,,,,,,,,,,,,,,,
9,1,,23393-020000,, "JOINT 90RGI1/4",2,2,,,,,,,,,,,,,,,,,,,,,
10,1,,23393-020000,, "JOINT 90RGI1/4",1,1,,,,,,,,,,,,,,,,,,,,,
11,1,,23393-030000,, "JOINT 90RGI 3/8",2,2,,,,,,,,,,,,,,,,,,,,,
12,1,,23394-020000,, "JOINT 45RGI1/4",1,1,,,,,,,,,,,,,,,,,,,,,
13,1,,23394-030000,, "JOINT 45RGI 3/8",1,1,,,,,,,,,,,,,,,,,,,,,
14,1,,24315-000110,, "O-RING 1B P-11.0",2,2,,,,,,,,,,,,,,,,,,,,,
15,1,,24315-000110,, "O-RING 1B P-11.0",2,2,,,,,,,,,,,,,,,,,,,,,
16,1,,172183-78500,, "HOSE",1,1,,,,,,,,,,,,,,,,,,,,,
17,1,,172183-78550,, "HOSE P206BV044S",1,1,,,,,,,,,,,,,,,,,,,,,
18,1,,172183-78560,, "HOSE P206BC038",1,1,,,,,,,,,,,,,,,,,,,,,
19,1,,172183-78570,, "HOSE P204BE032",1,1,,,,,,,,,,,,,,,,,,,,,
20,1,,172183-78580,, "HOSE P204BC038",1,1,,,,,,,,,,,,,,,,,,,,,
21,1,,172142-78590,, "HOSE",1,1,,,,,,,,,,,,,,,,,,,,,
24,1,,172421-78170,, "HOSE",1,1,,,,,,,,,,,,,,,,,,,,,
25,1,,172183-78590,, "HOSE P206BB036",1,1,,,,,,,,,,,,,,,,,,,,,
26,1,,172141-76180,, "CONNECTOR",1,1,,,,,,,,,,,,,,,,,,,,,
27,2,,24315-000110,, "O-RING 1B P-11.0",1,1,,,,,,,,,,,,,,,,,,,,,



Fig. 55 油圧配管 (バルブ~スイベル, スイング) (新形, 油圧パイロット仕様)
 HYD. OIL PIPING (VALVE~SWIVEL, SWING) (NEW, HYD. OIL PILOT SPEC.)

M/#10501~

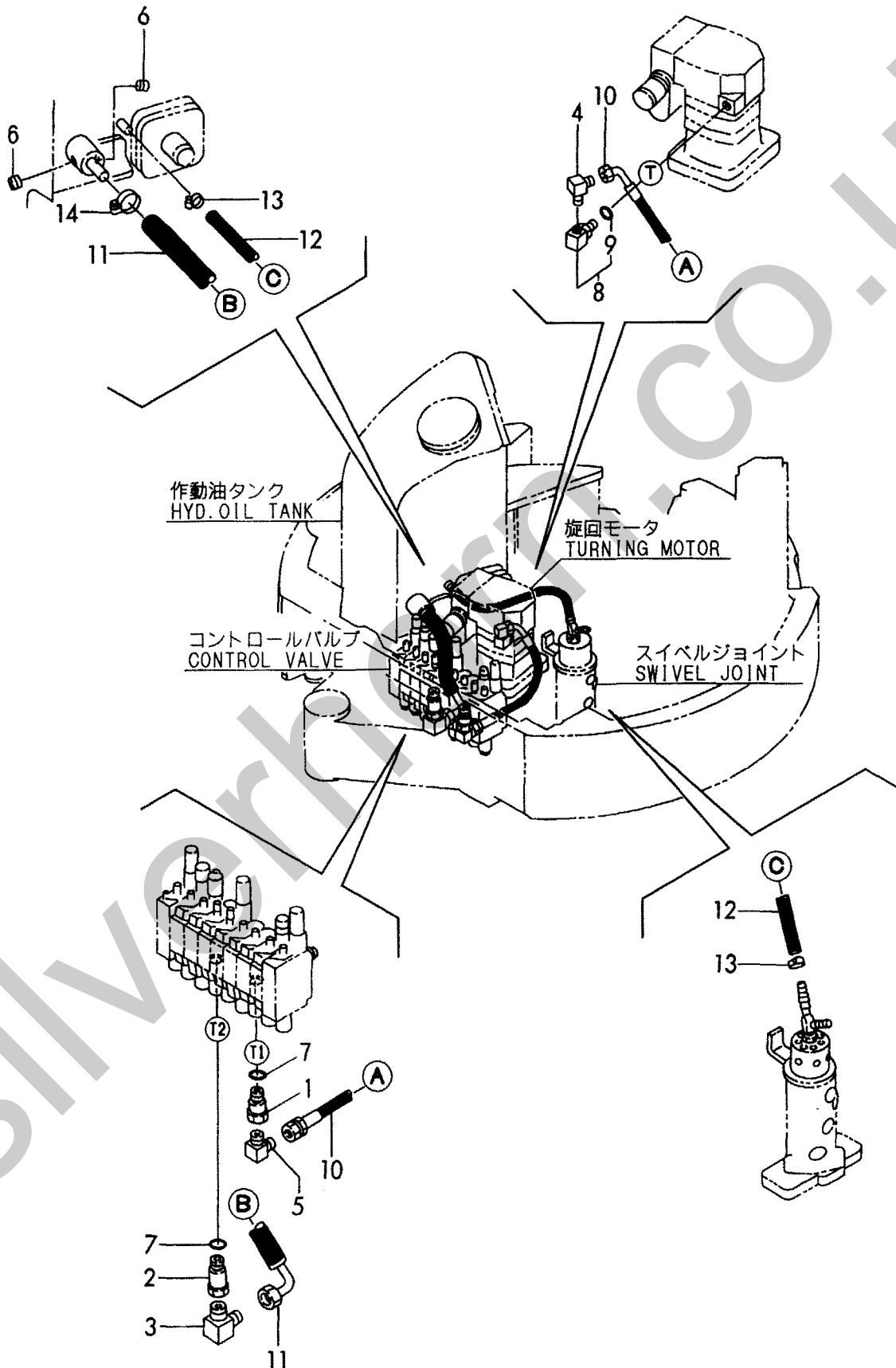


1,1,,172183-76150,, "CONNECTOR 1/2-3/8",1,1,,,,,,,,,,,,,,,,,
2,1,,172183-76160,, "CONNECTOR 1/2-1/2",1,1,,,,,,,,,,,,,,,,,
3,1,,172165-76200,, "CONNECTOR PT1/2PF3/4",1,1,,,,,,,,,,,,,,,,,
4,1,,23393-030000,, "JOINT 90RGI 3/8",1,1,,,,,,,,,,,,,,,,,
5,1,,23393-030000,, "JOINT 90RGI 3/8",1,1,,,,,,,,,,,,,,,,,
6,1,,23871-030000,, "PLUG PT3/8,SCREW",2,2,,,,,,,,,,,,,,,,,
7,1,,24315-000180,, "O-RING 1B P-18.0",2,2,,,,,,,,,,,,,,,,,
8,1,,933111-50001,, "CONNECTOR",1,1,,,,,,,,,,,,,,,,,
9,2,,24315-000140,, "O-RING 1B P-14.0",1,1,,,,,,,,,,,,,,,,,
10,1,,172183-78070,, "HOSE G606BE038",1,1,,,,,,,,,,,,,,,,,
11,1,,172183-78080,, "HOSE G612CY041",1,1,,,,,,,,,,,,,,,,,
12,1,,172183-78620,, "HOSE G806YY042",1,1,,,,,,,,,,,,,,,,,
13,1,,23000-016000,, "CLAMP 16",2,2,,,,,,,,,,,,,,,,,
14,1,,23000-035000,, "CLAMP 35",1,1,,,,,,,,,,,,,,,,

Silverhorn.CO.UK

Fig. **56** 油圧配管 (リターン) (旧形)
HYD. OIL PIPING (RETURN) (PREVIOUS)

~M/#10500

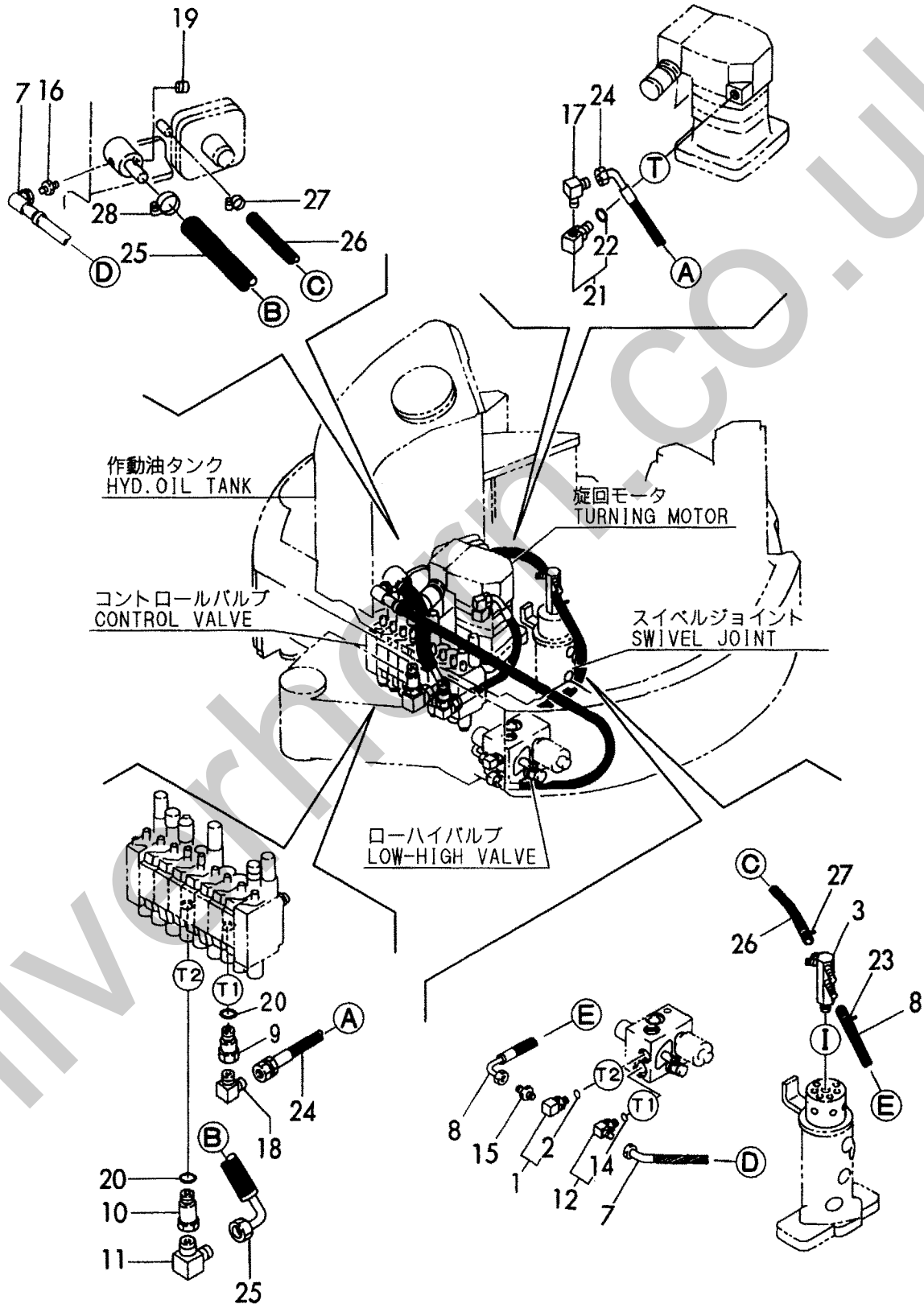


1,1,,172137-76100,, "ELBOW PF1/4",1,1,,,,,,,,,,,,,,,,,,,,,
2,2,,24315-000110,, "O-RING 1B P-11.0",1,1,,,,,,,,,,,,,,,,,,,,,
3,1,,172173-76140,, "CONNECTOR ASSY,DRAIN",1,1,,,,,,,,,,,,,,,,,,,,,
7,1,,172173-78450,, "HOSE G606CV124S",1,1,,,,,,,,,,,,,,,,,,,,,
8,1,,172173-78460,, "HOSE G804CY056",1,1,,,,,,,,,,,,,,,,,,,,,
9,1,,172183-76150,, "CONNECTOR 1/2-3/8",1,1,,,,,,,,,,,,,,,,,,,,,
10,1,,172183-76160,, "CONNECTOR 1/2-1/2",1,1,,,,,,,,,,,,,,,,,,,,,
11,1,,172165-76200,, "CONNECTOR PT1/2PF3/4",1,1,,,,,,,,,,,,,,,,,,,,,
12,1,,172142-76180,, JOINT,1,1,,,,,,,,,,,,,,,,,,,,,
14,2,,24315-000140,, "O-RING 1B P-14.0",1,1,,,,,,,,,,,,,,,,,,,,,
15,1,,23391-020000,, "JOINT RGI1/4",1,1,,,,,,,,,,,,,,,,,,,,,
16,1,,23391-030000,, "JOINT RGI 3/8",1,1,,,,,,,,,,,,,,,,,,,,,
17,1,,23393-030000,, "JOINT 90RGI 3/8",1,1,,,,,,,,,,,,,,,,,,,,,
18,1,,23393-030000,, "JOINT 90RGI 3/8",1,1,,,,,,,,,,,,,,,,,,,,,
19,1,,23871-030000,, "PLUG PT3/8,SCREW",1,1,,,,,,,,,,,,,,,,,,,,,
20,1,,24315-000180,, "O-RING 1B P-18.0",2,2,,,,,,,,,,,,,,,,,,,,,
21,1,,933111-50001,, CONNECTOR,1,1,,,,,,,,,,,,,,,,,,,,,
22,2,,24315-000140,, "O-RING 1B P-14.0",1,1,,,,,,,,,,,,,,,,,,,,,
23,1,,23010-014000,, "CLAMP 14",1,1,,,,,,,,,,,,,,,,,,,,,
24,1,,172183-78070,, "HOSE G606BE038",1,1,,,,,,,,,,,,,,,,,,,,,
25,1,,172183-78080,, "HOSE G612CY041",1,1,,,,,,,,,,,,,,,,,,,,,
26,1,,172183-78620,, "HOSE G806YY042",1,1,,,,,,,,,,,,,,,,,,,,,
27,1,,23000-016000,, "CLAMP 16",2,2,,,,,,,,,,,,,,,,,,,,,
28,1,,23000-035000,, "CLAMP 35",1,1,,,,,,,,,,,,,,,,,,,,,

Silverhorn.CO.UK

Fig. 57 油圧配管 (リターン) (新形, 油圧パイロット仕様)
 HYD. OIL PIPING (RETURN) (NEW, HYD. OIL PILOT SPEC.)

M/#10501~

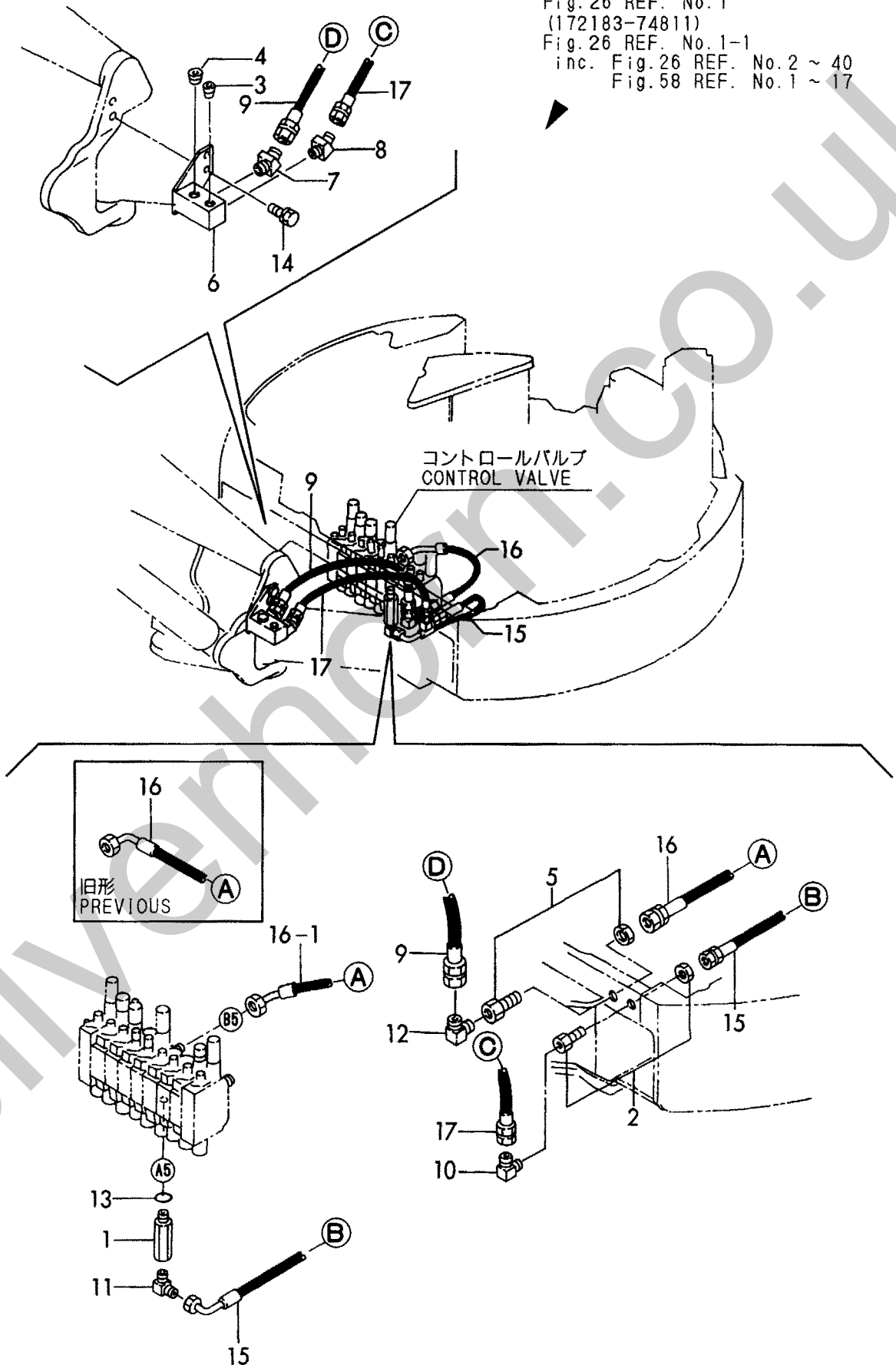


1,2,,172183-76170,, "CONNECTOR 3/8-3/8",1,1,,,,,,,,,,,,,
2,2,,172145-76180,, "JOINT 3/8",1,1,,,,,,,,,,,,,
3,2,,23871-030000,, "PLUG PT3/8,SCREW",1,1,,,,,,,,,,,,,
4,2,,23871-040000,, "PLUG PT1/2,SCREW",1,1,,,,,,,,,,,,,
5,2,,172142-76250,, "JOINT 1/2",1,1,,,,,,,,,,,,,
6,2,,172183-76300,, "JOINT COMP.,3RD",1,1,,,,,,,,,,,,,
7,2,,23394-040000,, "JOINT 45RGI1/4",1,1,,,,,,,,,,,,,
8,2,,23394-030000,, "JOINT 45RGI 3/8",1,1,,,,,,,,,,,,,
9,2,,172183-79120,, "HOSE H208BB069",1,1,,,,,,,,,,,,,
10,2,,23393-030000,, "JOINT 90RGI 3/8",1,1,,,,,,,,,,,,,
11,2,,23393-030000,, "JOINT 90RGI 3/8",1,1,,,,,,,,,,,,,
12,2,,23393-040000,, "JOINT 90RGI 1/2",1,1,,,,,,,,,,,,,
13,2,,24315-000140,, "O-RING 1B P-14.0",1,1,,,,,,,,,,,,,
14,2,,26013-100252,, "BOLT W/WASHER M10X25",2,2,,,,,,,,,,,,,
15,2,,172183-79050,, "HOSE H206BC063",1,1,,,,,,,,,,,,,
16,2,,172183-79060,, "HOSE H208BC036",1,,,,,,,,,,,,,
16-1,2,,172183-79061,, "HOSE H208BC053S",1,1,,,,,S,72173038,M/#00793,,,,,
17,2,,172183-79110,, "HOSE H206BB075",1,1,,,,,,,,,,,,,

Silverhorn.CO.UK

Fig. 58 油圧配管 (PTOバルブ~ブームブラケット)
 HYD. OIL PIPING (P. T. O. VALVE~BOOM BRACKET)

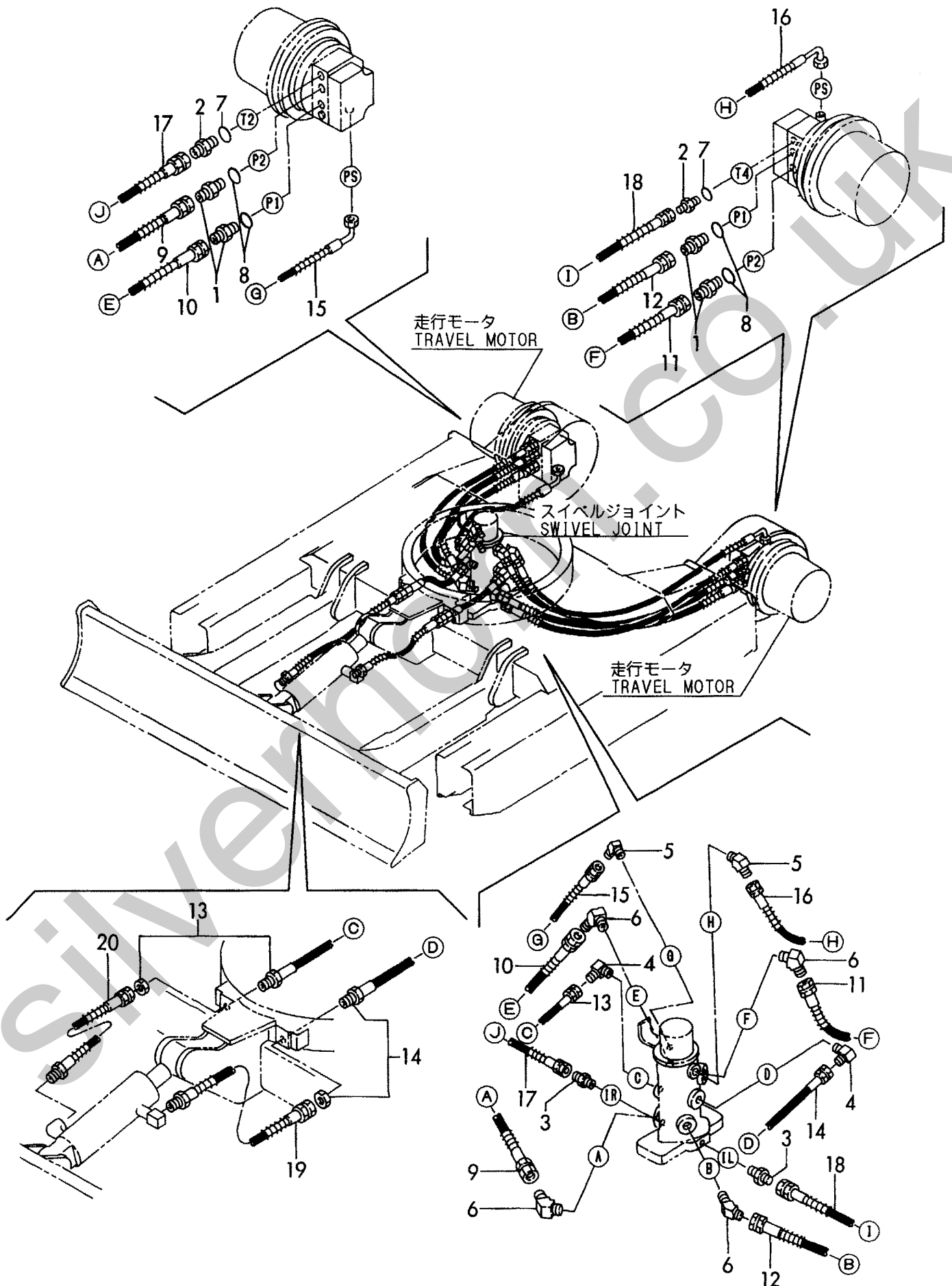
PTOキット (フレームエンド)
 P. T. O. KIT (FRAME END)
 (172183-74810)
 Fig. 26 REF. No. 1
 (172183-74811)
 Fig. 26 REF. No. 1-1
 inc. Fig. 26 REF. No. 2 ~ 40
 Fig. 58 REF. No. 1 ~ 17



1,1,,172730-75140,,ADAPTOR,4,4,,,,,,,,,,,,,,,,,,,,,
2,1,,172123-76120,,,"CONNECTOR PF1/4",2,2,,,,,,,,,,,,,,,,,,,,,
3,1,,23391-020000,,,"JOINT RGI1/4",2,2,,,,,,,,,,,,,,,,,,,,,
4,1,,23393-020000,,,"JOINT 90RGI1/4",2,2,,,,,,,,,,,,,,,,,,,,,
5,1,,23394-020000,,,"JOINT 45RGI1/4",2,2,,,,,,,,,,,,,,,,,,,,,
6,1,,23394-030000,,,"JOINT 45RGI 3/8",4,4,,,,,,,,,,,,,,,,,,,,,
7,1,,24315-000110,,,"O-RING 1B P-11.0",2,2,,,,,,,,,,,,,,,,,,,,,
8,1,,24315-000140,,,"O-RING 1B P-14.0",4,4,,,,,,,,,,,,,,,,,,,,,
9,1,,172183-78650,,,"HOSE P206BB073W",1,1,,,,,,,,,,,,,,,,,,,,,
10,1,,172183-78650,,,"HOSE P206BB073W",1,1,,,,,,,,,,,,,,,,,,,,,
11,1,,172183-78650,,,"HOSE P206BB073W",1,1,,,,,,,,,,,,,,,,,,,,,
12,1,,172183-78650,,,"HOSE P206BB073W",1,1,,,,,,,,,,,,,,,,,,,,,
13,1,,172183-78670,,,"HOSE P204BX023",1,1,,,,,,,,,,,,,,,,,,,,,
14,1,,172183-78670,,,"HOSE P204BX023",1,1,,,,,,,,,,,,,,,,,,,,,
15,1,,172183-78710,,,"HOSE P204BC085W",1,1,,,,,,,,,,,,,,,,,,,,,
16,1,,172183-78710,,,"HOSE P204BC085W",1,1,,,,,,,,,,,,,,,,,,,,,
17,1,,172183-78730,,,"HOSE P204BB077W",1,1,,,,,,,,,,,,,,,,,,,,,
18,1,,172183-78730,,,"HOSE P204BB077W",1,1,,,,,,,,,,,,,,,,,,,,,
19,1,,172183-78750,,HOSE,1,1,,,,,,,,,,,,,,,,,,,,,
20,1,,172183-78760,,HOSE,1,1,,,,,,,,,,,,,,,,,,,,,

Silverhorn.CO.UK

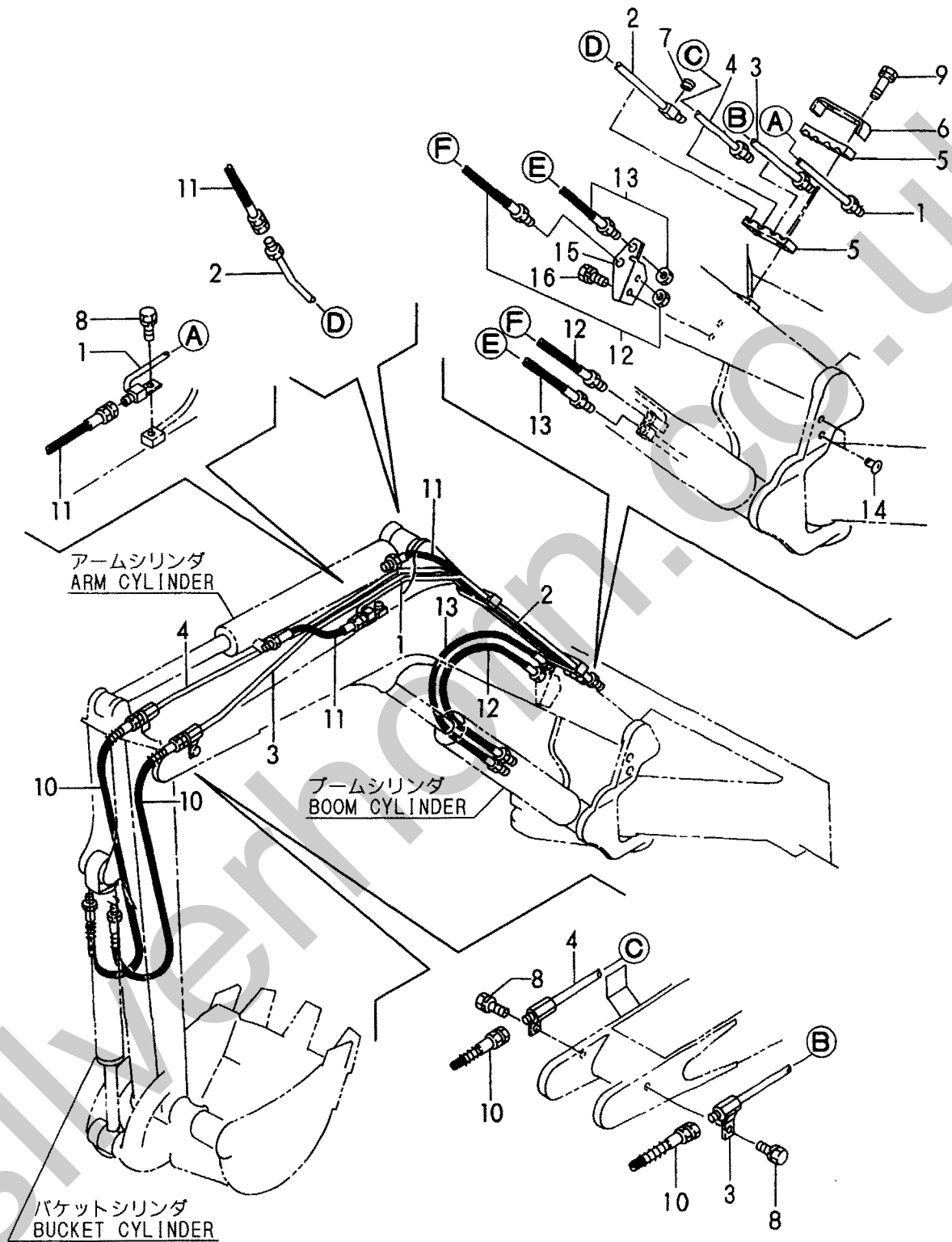
Fig. 59 油圧配管 (走行)
HYD. OIL PIPING (TRAVEL)



1,1,,172149-76450-4,, "TUBE(L),ARM",1,1,,,,,,,,,,,,,,,,,
2,1,,172149-76471-4,, "TUBE(R),ARM",1,1,,,,,,,,,,,,,,,,,
3,1,,172149-76490-4,, "TUBE(L),BUCKET",1,1,,,,,,,,,,,,,,,,,
4,1,,172149-76520-4,, "TUBE(R),BUCKET",1,1,,,,,,,,,,,,,,,,,
5,1,,172183-76710,, "CLAMP 12X4,TUBE",4,4,,,,,,,,,,,,,,,,,
6,1,,172183-76720,, "CLAMP,TUBE",2,2,,,,,,,,,,,,,,,,,
7,1,,23871-010000,, "PLUG PT1/8,SCREW",1,1,,,,,,,,,,,,,,,,,
8,1,,26013-080162,, "BOLT W/WASHER M8X16",3,3,,,,,,,,,,,,,,,,,
9,1,,26013-080352,, "BOLT M 8X 35",4,4,,,,,,,,,,,,,,,,,
10,1,,172150-78150,, HOSE,2,2,,,,,,,,,,,,,,,,,
11,1,,172183-78790,, HOSE,2,2,,,,,,,,,,,,,,,,,
12,1,,172183-78880,, HOSE,1,1,,,,,,,,,,,,,,,,,
13,1,,172183-78890,, HOSE,1,1,,,,,,,,,,,,,,,,,
14,1,,172122-17190,, CLIP,2,2,,,,,,,,,,,,,,,,,
14-1,1,,172183-81160,, "TREE
CLIP",2,2,,,,,S,,72183169,M/#01651,72183169,M/#01651,,,,,
15,1,,172183-78980,, "SADDLE,RUBBER",1,1,,,,,,,,,,,,,,,,,
16,1,,26013-100162,, "BOLT M10X 16",2,2,,,,,,,,,,,,,,,,,

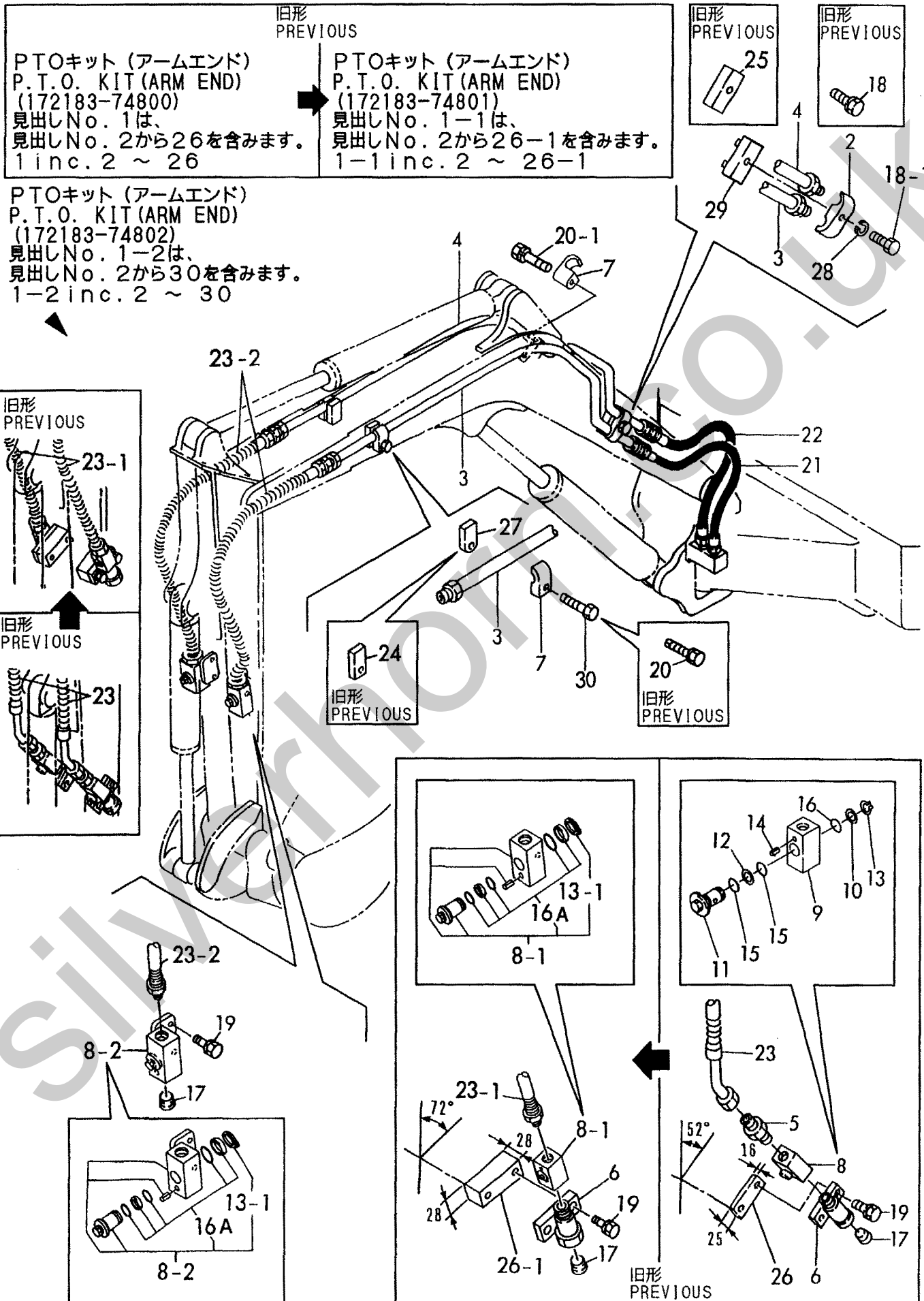
Silverhorn.CO.UK

Fig. 60 油圧配管 (ブーム)
 HYD. OIL PIPING (BOOM)



1,1,,172183-74800,, "P.T.O. KIT(ARM END)",1,,,,,1,,,,,
1-1,1,,172183-74801,, "P.T.O. KIT(ARM END)",1,,,,,N,1,72183146,M/#00924,,,,,
1-2,1,,172183-74802,, "P.T.O. KIT(ARM END)",1,,,,,S,1,72164377,M/#01706,,,,,
2,2,,172112-76300,, "RETAINER A,BOOM PIPE",1,1,,,,,
3,2,,172183-76620,, "TUBE L COMP.,3RD",1,1,,,,,
4,2,,172183-76650,, "TUBE R COMP.,3RD",1,1,,,,,
5,2,,23391-040000,, "JOINT RGI 1/2",2,,,,,Z,72183146,M/#00924,,,,,
6,2,,172183-76510,, "FITTING 1/2 COMPL.",2,,,,,Z,72164377,M/#01706,,,,,
7,2,,172142-76950-4,, "CLAMP 1/2 (GREEN:97)",4,4,,,,,
7-1,2,,172142-76950-4,, "CLAMP 1/2
(GREEN:97)",3,3,,,,,K,72183169,M/#01703,72183069,M/#01703,,,,,
8,2,,172142-77100,, "VALVE, STOP",2,,,,,
8-1,2,,172142-77101-4,, "VALVE, STOP",2,2,,,,,R,72162466,M/#01058,,,,,
8-2,2,,172183-74820,, "STOP
VALVE",2,2,,,,,S,72164377,M/#01706,72164377,M/#01706,,,,,
9,3,,172142-77110,, "BODY, VALVE",2,,,,,Z,72162466,M/#01058,,,,,
10,3,,172142-77120,, "RING, BACK UP",2,,,,,Z,72162466,M/#01058,,,,,
11,3,,172142-77130,, "VALVE",2,,,,,Z,72162466,M/#01058,,,,,
12,3,,172142-77140,, "RING, BACK UP",2,,,,,Z,72162466,M/#01058,,,,,
13,3,,22242-000200,, "CIRCLIP 20",2,,,,,
13-1,3,,22242-000300,, "CIRCLIP 30",2,2,,,,,S,72162466,M/#01058,,,,,
14,3,,22351-040010,, "SPRING PIN 4X10",2,,,,,Z,72162466,M/#01058,,,,,
15,3,,24315-000160,, "O-RING 1B P-16.0",4,,,,,Z,72162466,M/#01058,,,,,
16,3,,24315-000200,, "O-RING 1B P-20.0",2,,,,,Z,72162466,M/#01058,,,,,
16A,3,,172142-77150,, "SEAL SET",2,2,,,,,W,72162466,M/#01058,,,,,
17,2,,23871-040000,, "PLUG PT1/2,SCREW",2,2,,,,,
18,2,,26013-100452,, "BOLT M10X 45",1,1,,,,,
18-1,2,,26116-100552,, "BOLT M10X 55
PLATED",1,1,,,,,S,72164377,M/#10706,72164377,M/#10706,,,,,
19,2,,26013-100252,, "BOLT W/WASHER M10X25",4,4,,,,,
20,2,,26013-120402,, "BOLT M12X 40",4,4,,,,,
20-1,2,,26013-120402,, "BOLT M12X
40",1,1,,,,,K,72164377,M/#10706,72164377,M/#10706,,,,,
21,2,,172183-79140,, "HOSE H206AB049",1,1,,,,,
22,2,,172183-79150,, "HOSE H208AB049",1,1,,,,,
23,2,,172183-79170,, "HOSE G208BL070W",2,,,,,
23-1,2,,172173-79171,, "HOSE",2,2,,,,,S,72183146,M/#00924,,,,,
23-2,2,,172176-78270,, "HOSE
G208AB087W",2,2,,,,,S,72164377,M/#01706,72164377,M/#01706,,,,,
24,2,,172183-81420,, "PLATE,SCREW SEAT
M12",4,4,,,,,Z,72164377,M/#01706,72164377,M/#01706,,,,,
25,2,,172157-81710,, "PLATE",1,1,,,,,Z,2,72164377,M/#01706,72164377,M/#01706,,,,,
26,2,,172183-81430,, "PLATE,SCREW SEAT M10",2,,,,,2,,,,,
26-1,2,,172173-82310,, "PLATE",2,2,,,,,S,2,72183146,M/#00924,,,,,
26-2,2,,172173-
82310,, "PLATE",2,2,,,,,Z,2,72164377,M/#01706,72164377,M/#01706,,,,,
27,2,,172183-76250,, "PLATE
(GREEN:97)",2,2,,,,,W,72164377,M/#01706,72164377,M/#01706,,,,,
28,2,,22217-100000,, "SPRING WASHER
10",1,1,,,,,W,72164377,M/#01706,72164377,M/#01706,,,,,
29,2,,172183-76260,, "SPACER",1,1,,,,,W,72164377,M/#01706,72164377,M/#01706,,,,,
30,2,,26013-120502,, "BOLT M12X
50",2,2,,,,,W,72164377,M/#01706,72164377,M/#01706,,,,,

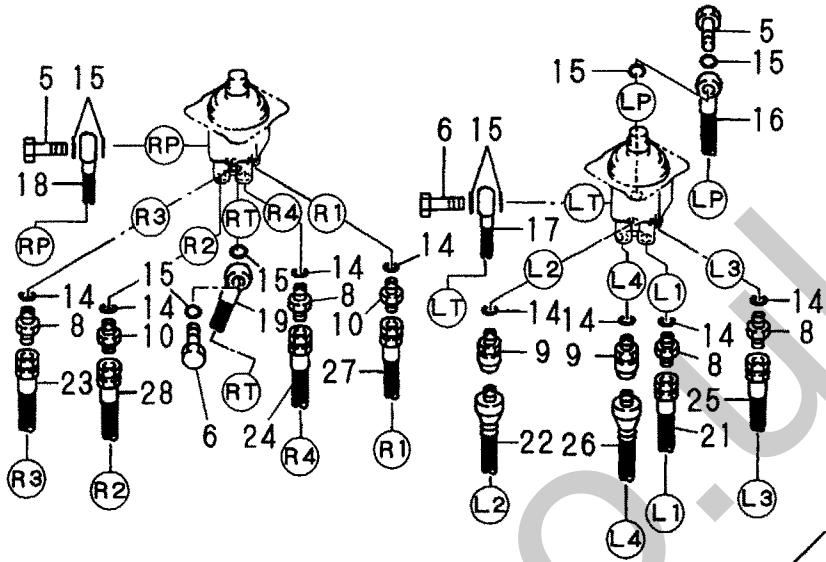
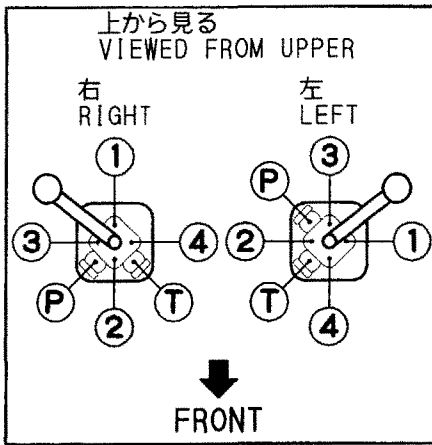
Fig. 61 油圧配管 (PTOアームエンド)
 HYD. OIL PIPING (P. T. O. ARM END)



1,1,,172312-76250,, "ELBOW PT1/4",1,1,,,,,,,,,,,,,,,,,,,,,
2,1,,172165-76290,, "CONNECTOR PF1/4-1/4",1,1,,,,,,,,,,,,,,,,,,,,,
3,2,,24315-000110,, "O-RING 1B P-11.0",1,1,,,,,,,,,,,,,,,,,,,,,
4,1,,23391-020000,, "JOINT RGI1/4",1,1,,,,,,,,,,,,,,,,,,,,,
5,1,,172151-76030,, "BOLT, PIPE JOINT",2,2,,,,,,,,,,,,,,,,,,,,,
6,1,,172151-76040,, "BOLT, PIPE JOINT",2,2,,,,,,,,,,,,,,,,,,,,,
7,1,,172123-76120,, "CONNECTOR PF1/4",4,4,,,,,,,,,,,,,,,,,,,,,
8,1,,172123-76120,, "CONNECTOR PF1/4",4,4,,,,,,,,,,,,,,,,,,,,,
9,1,,172162-76310,, "ADAPTER,JOINT",2,2,,,,,,,,,,,,,,,,,,,,,
10,1,,172162-76770,, "JOINT PF1/4",2,2,,,,,,,,,,,,,,,,,,,,,
11,1,,23393-020000,, "JOINT 90RGI1/4",3,3,,,,,,,,,,,,,,,,,,,,,
12,1,,23394-020000,, "JOINT 45RGI1/4",1,1,,,,,,,,,,,,,,,,,,,,,
13,1,,24315-000110,, "O-RING 1B P-11.0",4,4,,,,,,,,,,,,,,,,,,,,,
14,1,,24315-000110,, "O-RING 1B P-11.0",8,8,,,,,,,,,,,,,,,,,,,,,
15,1,,24315-000180,, "O-RING 1B P-18.0",8,8,,,,,,,,,,,,,,,,,,,,,
16,1,,172421-78270,, "HOSE F404CW067S",1,1,,,,,,,,,,,,,,,,,,,,,
17,1,,172173-78260,, "HOSE",1,1,,,,,,,,,,,,,,,,,,,,,
18,1,,172421-78260,, "HOSE F404BW107S",1,1,,,,,,,,,,,,,,,,,,,,,
19,1,,172173-78360,, "HOSE G604WY097",1,1,,,,,,,,,,,,,,,,,,,,,
20,1,,23010-014000,, "CLAMP 14",2,2,,,,,,,,,,,,,,,,,,,,,
21,1,,172421-78210,, "HOSE F403BB068S",1,1,,,,,,,,,,,,,,,,,,,,,
22,1,,172421-78280,, "HOSE G604PT028",1,1,,,,,,,,,,,,,,,,,,,,,
23,1,,172421-78220,, "HOSE F403BC062",1,1,,,,,,,,,,,,,,,,,,,,,
24,1,,172421-78230,, "HOSE F403BB028",1,1,,,,,,,,,,,,,,,,,,,,,
25,1,,172421-78200,, "HOSE F403BB065S",1,1,,,,,,,,,,,,,,,,,,,,,
26,1,,172421-78290,, "HOSE G604PT028",1,1,,,,,,,,,,,,,,,,,,,,,
27,1,,172421-78240,, "HOSE F403BB064",1,1,,,,,,,,,,,,,,,,,,,,,
28,1,,172421-78250,, "HOSE F403BB028",1,1,,,,,,,,,,,,,,,,,,,,,
29,1,,933168-55770,, "BAND 146",1,1,,,,,,,,,,,,,,,,,,,,,



Fig. 62 コントロール配管 (ダイレクト)
CONTROL PIPING (DIRECT)

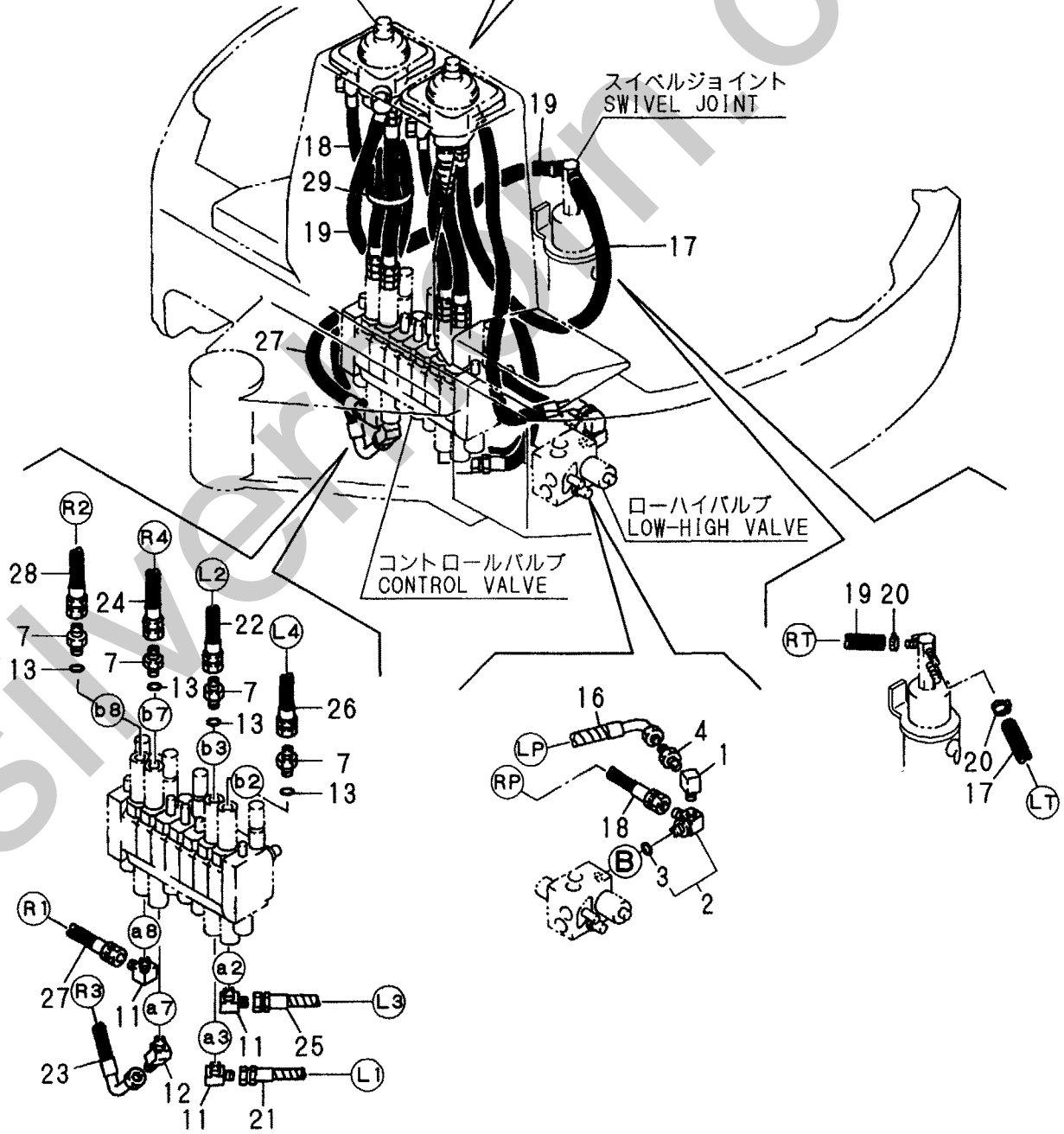


リモコンバルブ
REMOTE CONTROL VALVE

スィベルジョイント
SWIVEL JOINT

ローハイバルブ
LOW-HIGH VALVE

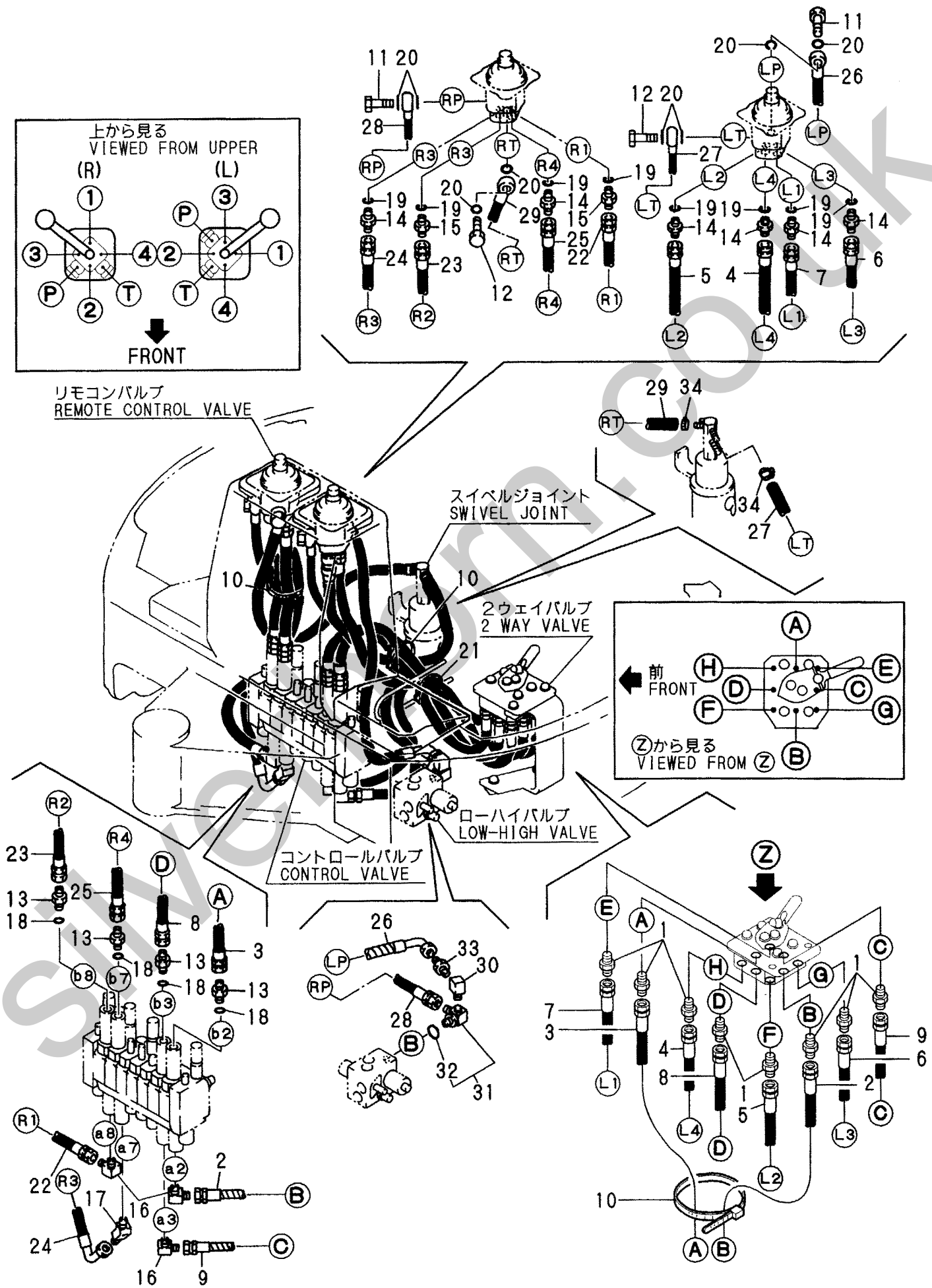
コントロールバルブ
CONTROL VALVE



1,1,,23391-020000,, "JOINT RGI1/4",8,,,,,,,,,,,,,,,,,,,,,
2,1,,172173-78230,, "HOSE G604BB065S",1,,,,,,,,,,,,,,,,,,,,,
3,1,,172168-79140,, "HOSE G604BC070 E",1,,,,,,,,,,,,,,,,,,,,,
4,1,,172173-79230,, "HOSE G604BB080",1,,,,,,,,,,,,,,,,,,,,,
5,1,,172173-79370,, HOSE,1,,,,,,,,,,,,,,,,,,,,,
6,1,,172173-79380,, HOSE,1,,,,,,,,,,,,,,,,,,,,,
7,1,,172173-79390,, HOSE,1,,,,,,,,,,,,,,,,,,,,,
8,1,,172173-79400,, HOSE,1,,,,,,,,,,,,,,,,,,,,,
9,1,,172173-79410,, HOSE,1,,,,,,,,,,,,,,,,,,,,,
10,1,,933168-55770,, "BAND 146",3,,,,,,,,,,,,,,,,,,,,,
11,1,,172151-76030,, "BOLT, PIPE JOINT",2,,,,,,,,,,,,,,,,,,,,,
12,1,,172151-76040,, "BOLT, PIPE JOINT",2,,,,,,,,,,,,,,,,,,,,,
13,1,,172123-76120,, "CONNECTOR PF1/4",4,,,,,,,,,,,,,,,,,,,,,
14,1,,172123-76120,, "CONNECTOR PF1/4",6,,,,,,,,,,,,,,,,,,,,,
15,1,,172162-76770,, "JOINT PF1/4",2,,,,,,,,,,,,,,,,,,,,,
16,1,,23393-020000,, "JOINT 90RGI1/4",3,,,,,,,,,,,,,,,,,,,,,
17,1,,23394-020000,, "JOINT 45RGI1/4",1,,,,,,,,,,,,,,,,,,,,,
18,1,,24315-000110,, "O-RING 1B P-11.0",4,,,,,,,,,,,,,,,,,,,,,
19,1,,24315-000110,, "O-RING 1B P-11.0",8,,,,,,,,,,,,,,,,,,,,,
20,1,,24315-000180,, "O-RING 1B P-18.0",8,,,,,,,,,,,,,,,,,,,,,
21,1,,194202-56460,, BAND,1,,,,,,,,,,,,,,,,,,,,,
22,1,,172173-78310,, "HOSE G604BB064",1,,,,,,,,,,,,,,,,,,,,,
23,1,,172173-78320,, "HOSE G604BB028",1,,,,,,,,,,,,,,,,,,,,,
24,1,,172173-78330,, "HOSE G604BC062",1,,,,,,,,,,,,,,,,,,,,,
25,1,,172173-78340,, "HOSE G604BB028",1,,,,,,,,,,,,,,,,,,,,,
26,1,,172421-78270,, "HOSE F404CW067S",1,,,,,,,,,,,,,,,,,,,,,
27,1,,172173-78260,, HOSE,1,,,,,,,,,,,,,,,,,,,,,
28,1,,172421-78260,, "HOSE F404BW107S",1,,,,,,,,,,,,,,,,,,,,,
29,1,,172173-78360,, "HOSE G604WY097",1,,,,,,,,,,,,,,,,,,,,,
30,1,,172312-76250,, "ELBOW PT1/4",1,,,,,,,,,,,,,,,,,,,,,
31,1,,172165-76290,, "CONNECTOR PF1/4-1/4",1,,,,,,,,,,,,,,,,,,,,,
32,2,,24315-000110,, "O-RING 1B P-11.0",1,,,,,,,,,,,,,,,,,,,,,
33,1,,23391-020000,, "JOINT RGI1/4",1,,,,,,,,,,,,,,,,,,,,,
34,1,,23010-014000,, "CLAMP 14",2,,,,,,,,,,,,,,,,,,,,,



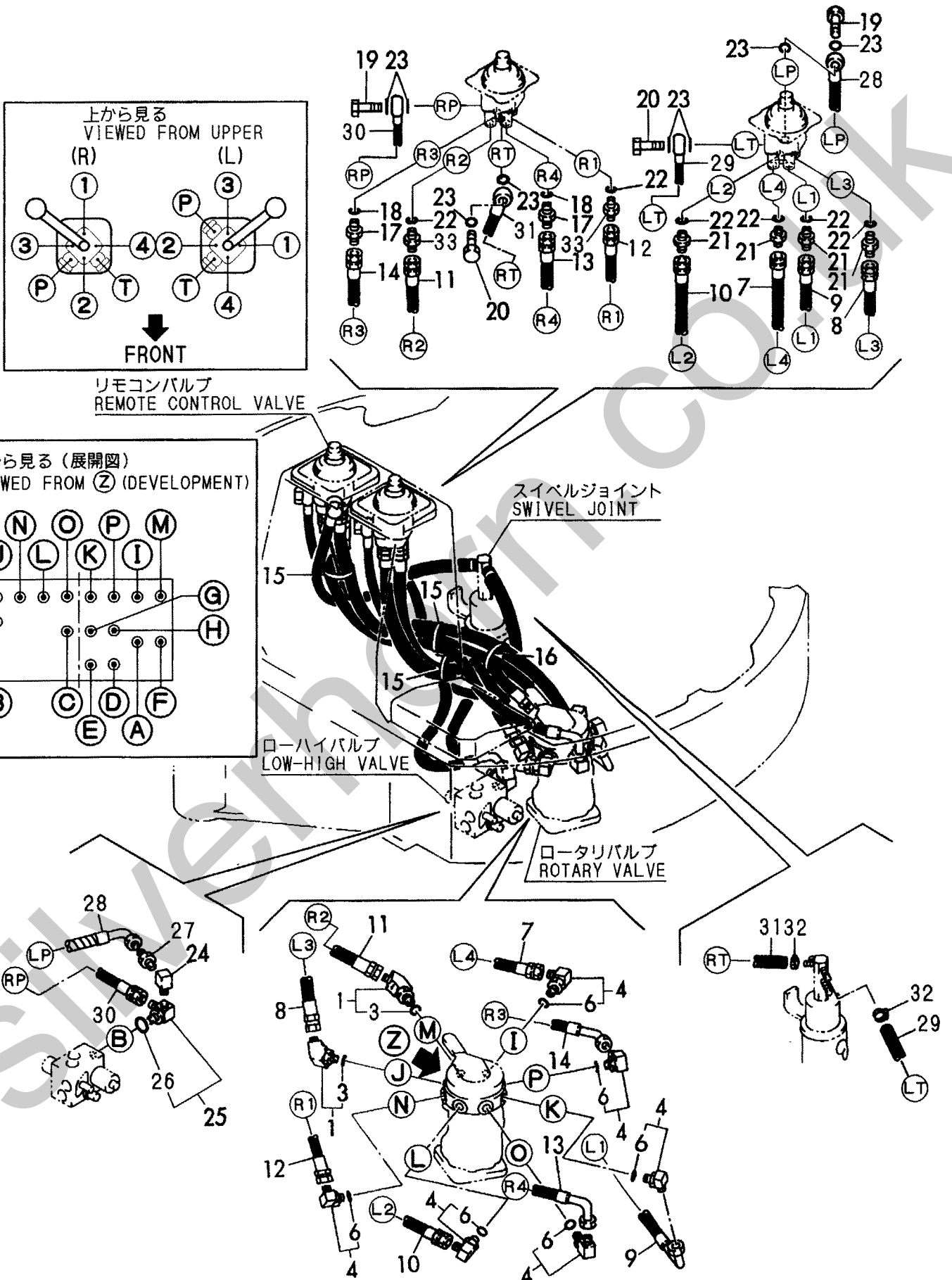
Fig. 63 コントロール配管 (2ウェイマルチチェンジ)
CONTROL PIPING (2WAY MULTI CHANGE)



1,1,,172173-76100,,CONNECTOR,2,,,,,,,,,,,,,,,,,,,,,
3,2,,24315-000110,,,"O-RING 1B P-11.0",2,,,,,,,,,,,,,,,,,,,,,
4,1,,172141-76180,,CONNECTOR,6,,,,,,,,,,,,,,,,,,,,,
6,2,,24315-000110,,,"O-RING 1B P-11.0",6,,,,,,,,,,,,,,,,,,,,,
7,1,,172421-78680,,,"HOSE F403BB068",1,,,,,,,,,,,,,,,,,,,,,
8,1,,172421-78690,,,"HOSE F403BB057",1,,,,,,,,,,,,,,,,,,,,,
9,1,,172421-78700,,,"HOSE F403BC076",1,,,,,,,,,,,,,,,,,,,,,
10,1,,172421-78710,,,"HOSE F403BB068",1,,,,,,,,,,,,,,,,,,,,,
11,1,,172421-78720,,,"HOSE F403BB068",1,,,,,,,,,,,,,,,,,,,,,
12,1,,172421-78730,,,"HOSE F403BB072",1,,,,,,,,,,,,,,,,,,,,,
13,1,,172421-78740,,,"HOSE F403BC079",1,,,,,,,,,,,,,,,,,,,,,
14,1,,172421-78750,,,"HOSE F403BE083",1,,,,,,,,,,,,,,,,,,,,,
15,1,,933168-55770,,,"BAND 146",3,,,,,,,,,,,,,,,,,,,,,
16,1,,194202-56460,,BAND,1,,,,,,,,,,,,,,,,,,,,,
17,1,,172123-76120,,,"CONNECTOR PF1/4",2,,,,,,,,,,,,,,,,,,,,,
18,1,,24315-000110,,,"O-RING 1B P-11.0",2,,,,,,,,,,,,,,,,,,,,,
19,1,,172151-76030,,,"BOLT, PIPE JOINT",2,,,,,,,,,,,,,,,,,,,,,
20,1,,172151-76040,,,"BOLT, PIPE JOINT",2,,,,,,,,,,,,,,,,,,,,,
21,1,,172123-76120,,,"CONNECTOR PF1/4",4,,,,,,,,,,,,,,,,,,,,,
22,1,,24315-000110,,,"O-RING 1B P-11.0",6,,,,,,,,,,,,,,,,,,,,,
23,1,,24315-000180,,,"O-RING 1B P-18.0",8,,,,,,,,,,,,,,,,,,,,,
24,1,,172312-76250,,,"ELBOW PT1/4",1,,,,,,,,,,,,,,,,,,,,,
25,1,,172165-76290,,,"CONNECTOR PF1/4-1/4",1,,,,,,,,,,,,,,,,,,,,,
26,2,,24315-000110,,,"O-RING 1B P-11.0",1,,,,,,,,,,,,,,,,,,,,,
27,1,,23391-020000,,,"JOINT RGI1/4",1,,,,,,,,,,,,,,,,,,,,,
28,1,,172421-78270,,,"HOSE F404CW067S",1,,,,,,,,,,,,,,,,,,,,,
29,1,,172173-78260,,HOSE,1,,,,,,,,,,,,,,,,,,,,,
30,1,,172421-78260,,,"HOSE F404BW107S",1,,,,,,,,,,,,,,,,,,,,,
31,1,,172173-78360,,,"HOSE G604WY097",1,,,,,,,,,,,,,,,,,,,,,
32,1,,23010-014000,,,"CLAMP 14",2,,,,,,,,,,,,,,,,,,,,,
33,1,,172162-76770,,,"JOINT PF1/4",2,,,,,,,,,,,,,,,,,,,,,



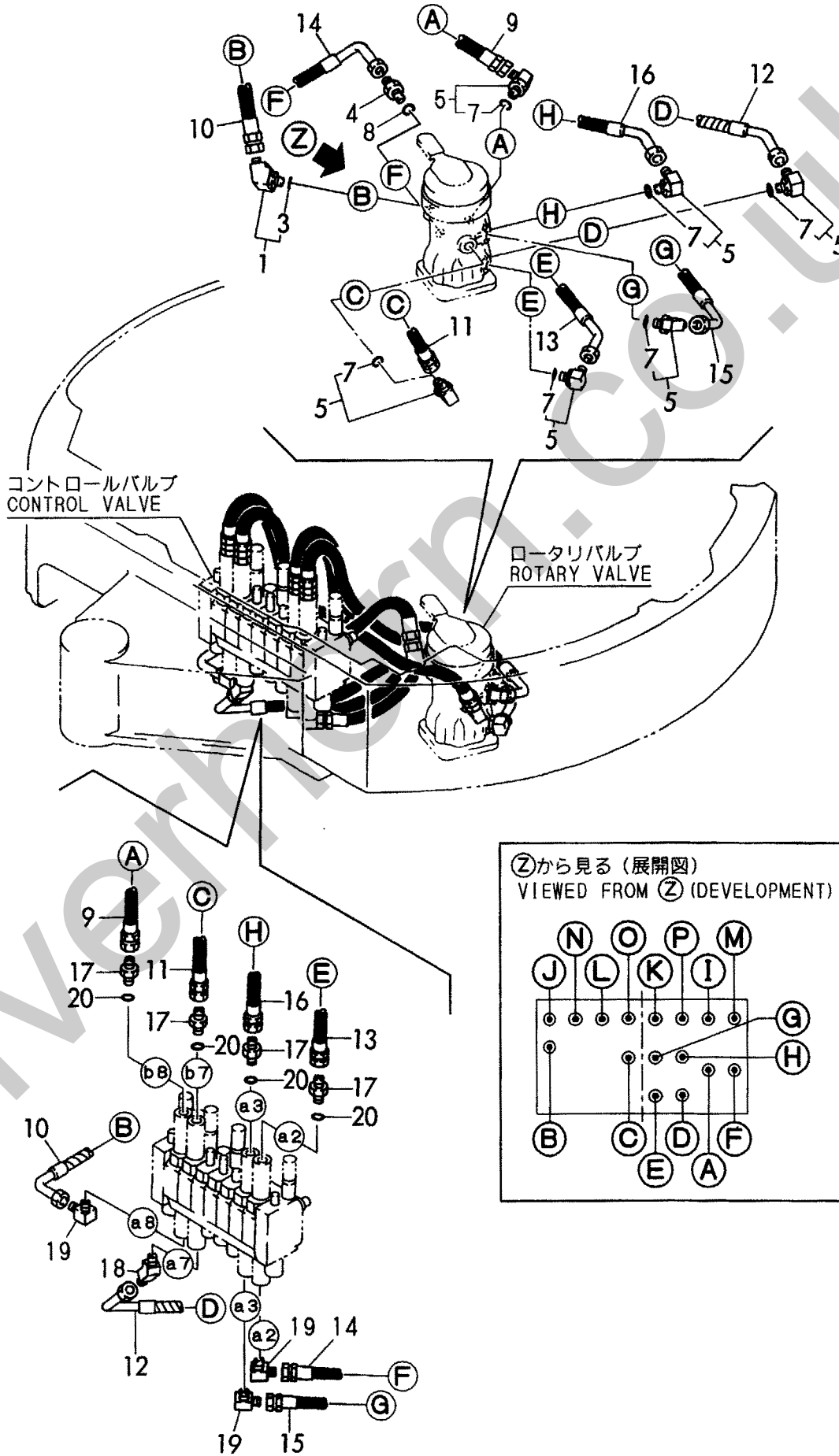
Fig. 64 コントロール配管 (リモコンバルブ~ロータリバルブ)
 CONTROL PIPING (REMOTE CONTROL VALVE
 ~ ROTARY VALVE)



1,1,,172173-76100,,CONNECTOR,1,,,,,,,,,,,,,,,,,,,,,
3,2,,24315-000110,,,"O-RING 1B P-11.0",1,,,,,,,,,,,,,,,,,,,,,
4,1,,172123-76120,,,"CONNECTOR PF1/4",1,,,,,,,,,,,,,,,,,,,,,
5,1,,172141-76180,,CONNECTOR,6,,,,,,,,,,,,,,,,,,,,,
7,2,,24315-000110,,,"O-RING 1B P-11.0",6,,,,,,,,,,,,,,,,,,,,,
8,1,,24315-000110,,,"O-RING 1B P-11.0",1,,,,,,,,,,,,,,,,,,,,,
9,1,,172421-78600,,,"HOSE F403BB075",1,,,,,,,,,,,,,,,,,,,,,
10,1,,172421-78610,,,"HOSE F403CC050S",1,,,,,,,,,,,,,,,,,,,,,
11,1,,172421-78620,,,"HOSE F403BB080",1,,,,,,,,,,,,,,,,,,,,,
12,1,,172173-79240,,,"HOSE G604CE054",1,,,,,,,,,,,,,,,,,,,,,
13,1,,172421-78640,,,"HOSE F403BE079",1,,,,,,,,,,,,,,,,,,,,,
14,1,,172173-79260,,,"HOSE G604BC027",1,,,,,,,,,,,,,,,,,,,,,
15,1,,172421-78660,,,"HOSE F403BE047",1,,,,,,,,,,,,,,,,,,,,,
16,1,,172421-78670,,,"HOSE F403BE073",1,,,,,,,,,,,,,,,,,,,,,
17,1,,172123-76120,,,"CONNECTOR PF1/4",4,,,,,,,,,,,,,,,,,,,,,
18,1,,23394-020000,,,"JOINT 45RGI1/4",1,,,,,,,,,,,,,,,,,,,,,
19,1,,23393-020000,,,"JOINT 90RGI1/4",3,,,,,,,,,,,,,,,,,,,,,
20,1,,24315-000110,,,"O-RING 1B P-11.0",4,,,,,,,,,,,,,,,,,,,,,

Silverhorn.CO.UK

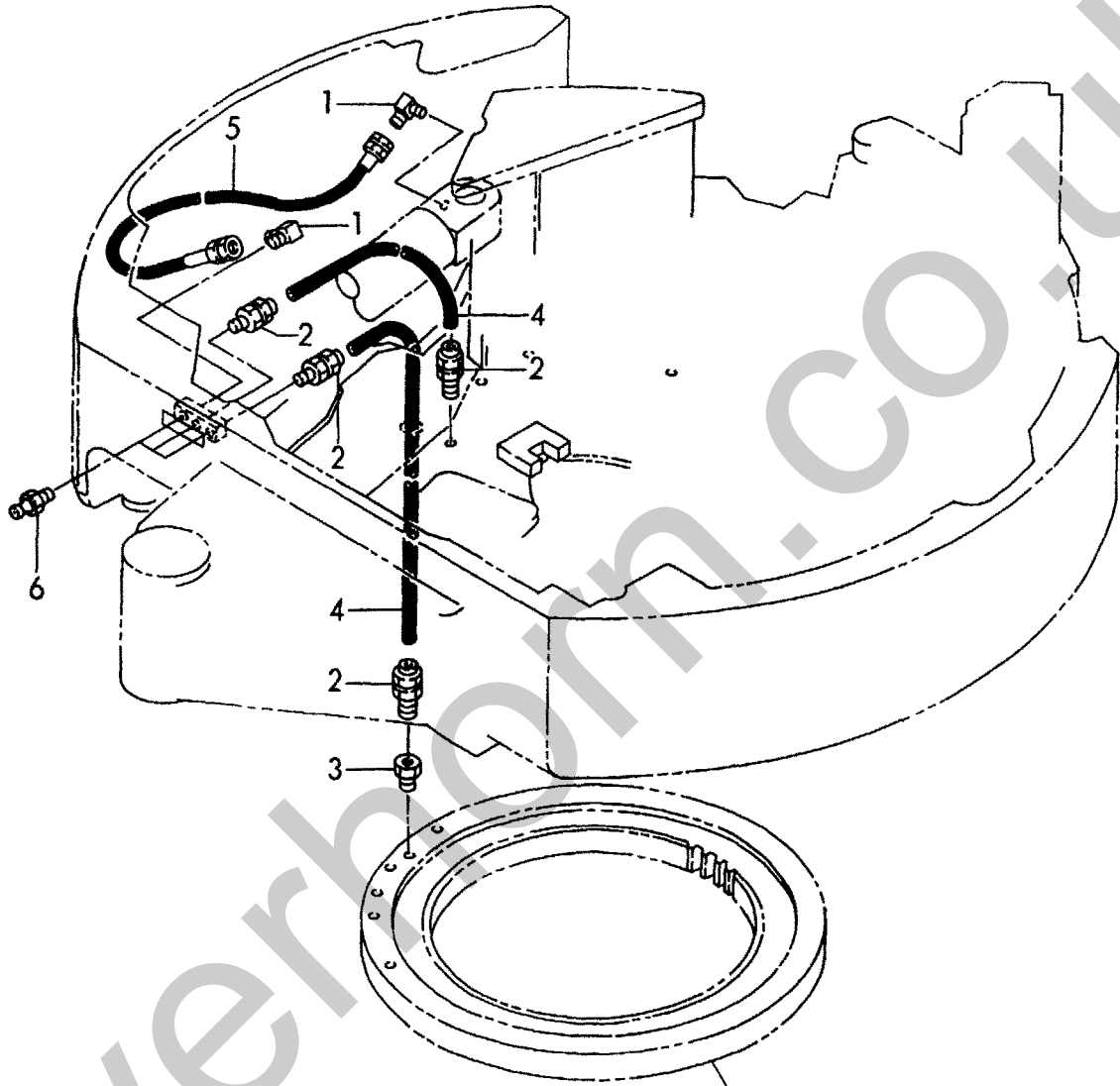
Fig. 65 コントロール配管 (ロータリバルブ~コントロールバルブ)
 CONTROL PIPING (ROTARY VALVE ~ CONTROL VALVE)



1,1,,172112-77660,, "L-JOINT 1/8",2,2,,,,,,,,,,,,,,,,,
2,1,,172141-77800,, "JOINT, GREASE",4,4,,,,,,,,,,,,,,,,,
3,1,,172147-77800,, "CONNECTOR PT 1/8",1,1,,,,,,,,,,,,,,,,,
3-1,1,,172312-77820,, "FITTING,
GREASE",1,1,,,,,N,,72421054,M/#10897,72421054,M/#10897,,,,,,,,,I
4,1,,172183-77810,, "HOSE P602YY050",2,2,,,,,,,,,,,,,,,,,
5,1,,172183-77850,, "HOSE P202FF079",1,1,,,,,,,,,,,,,,,,,
6,1,,24761-020000,, "NIPPLE PT1/8,GREASE",3,3,,,,,,,,,,,,,,,,,

Silverhorn.CO.UK

Fig. **66** グリーシング
GREASING

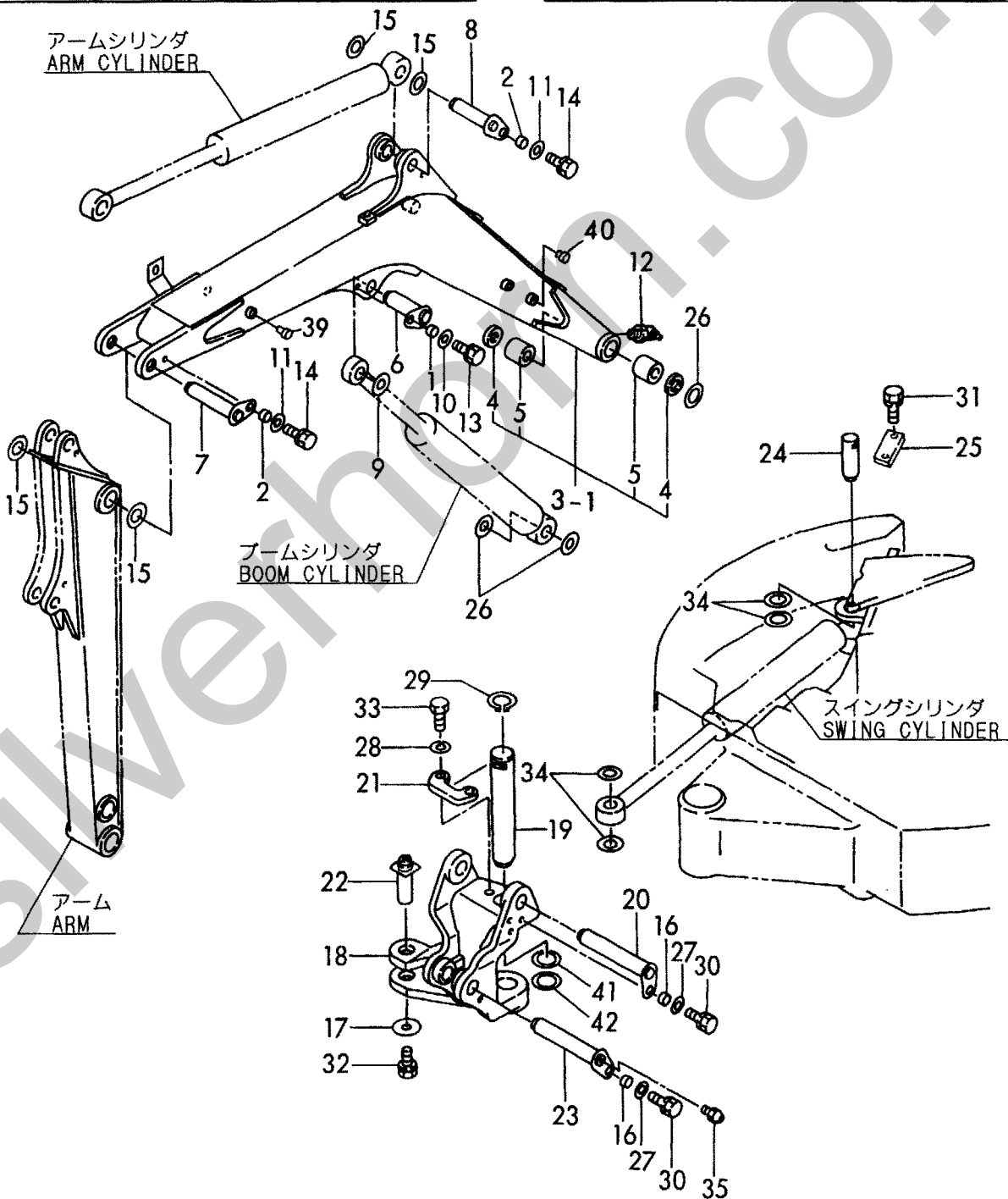
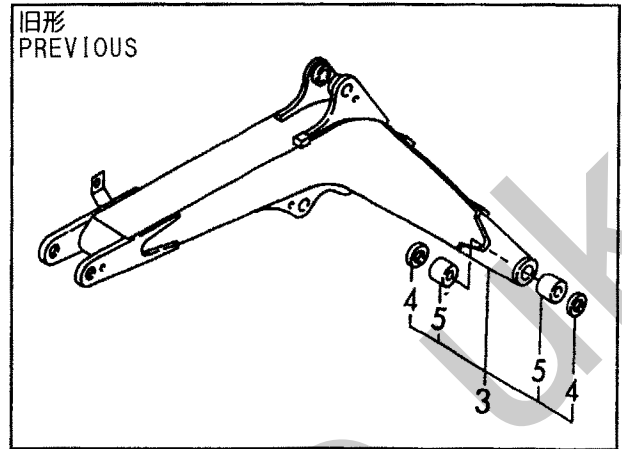
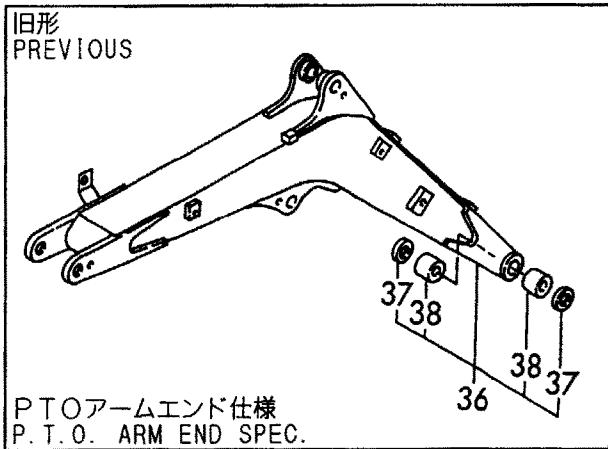


REFER TO Fig. 27

Silverbrook Ltd. CO. UK

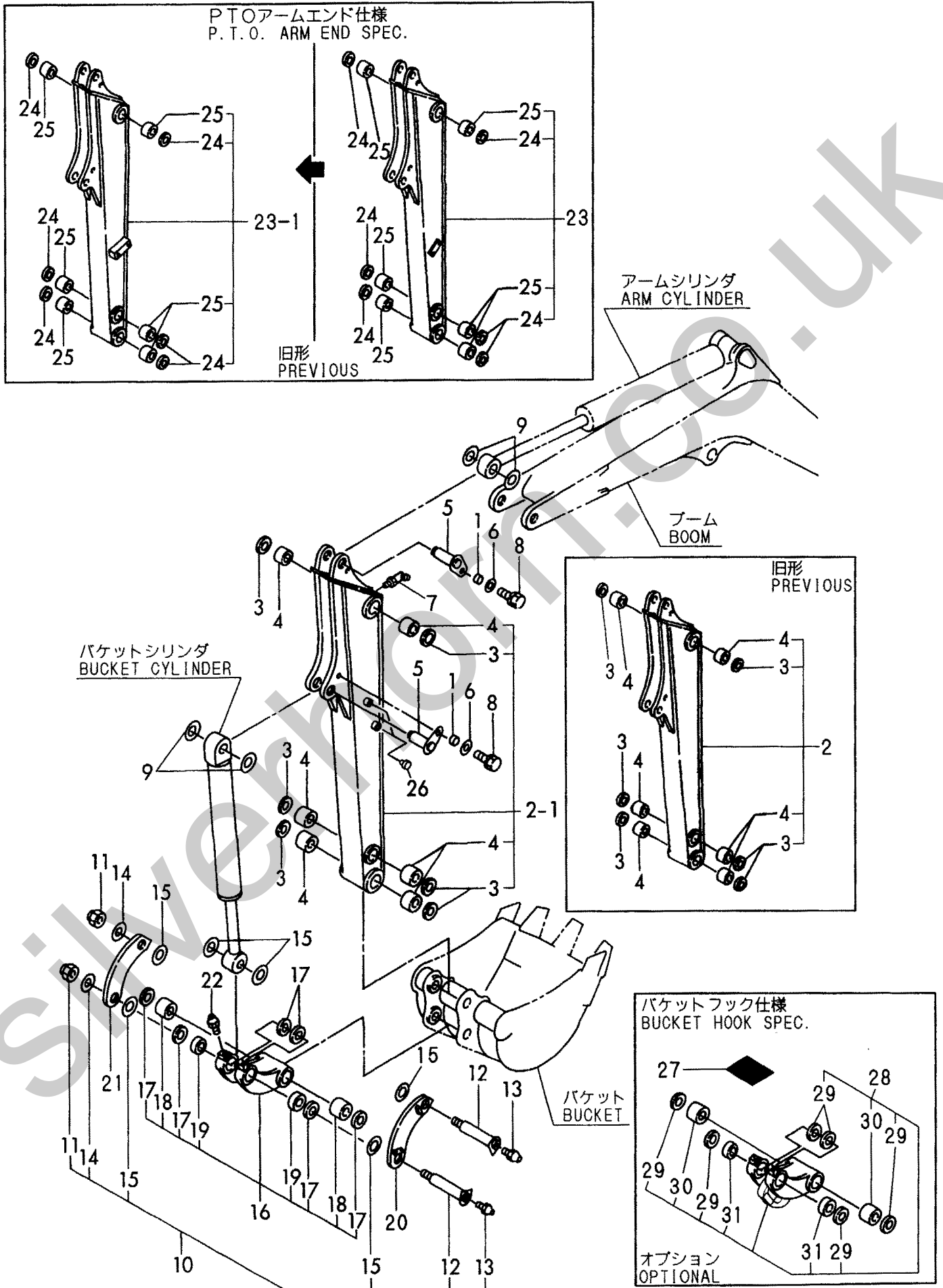
1,1,,172010-01640,,SPACER,1,1,,,,,,,,,,,,,
2,1,,172010-01640,,SPACER,2,2,,,,,,,,,,,,,
3,1,,172149-81101-4,,,"BOOM COMPL.",1,1,,,,,,,,,,,,,
3-1,1,,172183-81100,,,"BOOM
W/BUSH",1,1,,,,,S,,72164377,M/#01706,72164377,M/#01706,,,,,
4,2,,172171-81280,,,"SEAL 35X45X4",2,2,,,,,,,,,,,,,
5,2,,172141-82270,,,"BUSH 35 45",2,2,,,,,,,,,,,,,
6,1,,172149-81301,,,"PIN 35X114 COMPL.",1,1,,,,,,,,,,,,,
7,1,,172149-81321,,,"PIN 30X148 COMPL.",1,1,,,,,,,,,,,,,
8,1,,172137-81361,,,"PIN",1,1,,,,,,,,,,,,,
9,1,,172141-84601,,,"SHIM 35",1,1,,,,,,,,,,,,,
10,1,,22157-100000,,,"WASHER 10",1,1,,,,,,,,,,,,,
11,1,,22157-100000,,,"WASHER 10",2,2,,,,,,,,,,,,,
12,1,,24761-040000,,,"NIPPLE B,GREASE",1,1,,,,,,,,,,,,,
13,1,,26013-100252,,,"BOLT W/WASHER M10X25",1,1,,,,,,,,,,,,,
14,1,,26013-100252,,,"BOLT W/WASHER M10X25",2,2,,,,,,,,,,,,,
15,1,,933160-06711,,,"SHIM 30, PIN ADJUST",2,2,,,,,,,,,,,,,
16,1,,172010-01640,,,"SPACER",2,2,,,,,,,,,,,,,
17,1,,172146-82910,,,"SPACER",1,1,,,,,,,,,,,,,
18,1,,172183-83100,,,"BRACKET,BOOM",1,1,,,,,,,,,,,,,
19,1,,172183-83120,,,"PIN 50X267",1,1,,,,,,,,,,,,,
20,1,,172149-83131,,,"PIN 35X213 COMPL.",1,1,,,,,,,,,,,,,
21,1,,172183-83130,,,"PLATE,PIN LOCKING",1,1,,,,,,,,,,,,,
22,1,,172183-83140,,,"PIN 38X92 COMPL.",1,1,,,,,,,,,,,,,
23,1,,172149-83151,,,"PIN",1,1,,,,,,,,,,,,,
24,1,,172183-83160,,,"PIN 38X141",1,1,,,,,,,,,,,,,
25,1,,172141-83390,,,"PLATE, PIN LOCK",1,1,,,,,,,,,,,,,
26,1,,172141-84601,,,"SHIM 35",2,2,,,,,,,,,,,,,
27,1,,22157-100000,,,"WASHER 10",2,2,,,,,,,,,,,,,
28,1,,22217-160000,,,"SPRING WASHER 16",2,2,,,,,,,,,,,,,
29,1,,22242-000500,,,"CIRCLIP 50",1,1,,,,,,,,,,,,,
30,1,,26013-100252,,,"BOLT W/WASHER M10X25",2,2,,,,,,,,,,,,,
31,1,,26013-100252,,,"BOLT W/WASHER M10X25",2,2,,,,,,,,,,,,,
32,1,,26013-120252,,,"BOLT M12X 25",1,1,,,,,,,,,,,,,
33,1,,26116-160402,,,"BOLT M16X 40 PLATED",2,2,,,,,,,,,,,,,
34,1,,933171-29751,,,"SHIM SET,38X(0.8,1.2)",2,2,,,,,,,,,,,,,
35,1,,24761-020000,,,"NIPPLE PT1/8,GREASE",1,1,,,,,,,,,,,,,
36,1,,172183-81400,,,"BOOM
COMP.,3RD",1,1,,,,,Z,1,72164377,M/#01706,72164377,M/#01706,,,,,
37,2,,172171-81280,,,"SEAL
35X45X4",2,2,,,,,Z,1,72164377,M/#01706,72164377,M/#01706,,,,,
38,2,,172141-82270,,,"BUSH 35
45",2,2,,,,,Z,1,72164377,M/#01706,72164377,M/#01706,,,,,
39,1,,172164-81170,,,"TREE
CLIP",3,3,,,,,W,,72164377,M/#01706,72164377,M/#01706,,,,,
39-1,1,,172183-81170,,,"TREE
CLIP",3,3,,,,,S,,72183169,M/#01706,72183169,M/#01706,,,,,
40,1,,172183-81160,,,"TREE
CLIP",1,1,,,,,W,,72164377,M/#01706,72164377,M/#01706,,,,,
40-1,1,,172183-81160,,,"TREE
CLIP",2,2,,,,,K,,72170026,M/#01706,72170026,M/#01706,,,,,
41,1,,172173-81700,,,"SHIM",1,1,,,,,W,,72176168,M/#01706,72176168,M/#01706,,,,,
42,1,,172173-81710,,,"SHIM",1,1,,,,,W,,72176168,M/#01706,72176168,M/#01706,,,,,

Fig. 67 ブーム&ブームブラケット
BOOM & BOOM BRACKET



1,1,,172010-01640,,SPACER,2,2,,,,,,,,,,,,,
2,1,,172183-82100-4,,,"ARM 950 COMPL.",1,1,,,,,,,,,,,,,
2-1,1,,172183-82101,,,"ARM 950
ASSY",1,1,,,,,S,,72164377,M/#01706,72164377,M/#01706,,,,,,,,,
3,2,,172183-72290,,,"SEAL, DUST 30X40X4.2",6,6,,,,,,,,,,,,,
4,2,,172137-81300,,,"BUSH 30X45, PIN",6,6,,,,,,,,,,,,,
5,1,,172137-94251,,,"PIN 30X76",2,2,,,,,,,,,,,,,
6,1,,22157-100000,,,"WASHER 10",2,2,,,,,,,,,,,,,
7,1,,24761-040000,,,"NIPPLE B,GREASE",1,1,,,,,,,,,,,,,
8,1,,26013-100252,,,"BOLT W/WASHER M10X25",2,2,,,,,,,,,,,,,
9,1,,933160-06711,,,"SHIM 30, PIN ADJUST",2,2,,,,,,,,,,,,,
10,1,,172149-99470,,,"KIT, ARM PIN",2,2,,,,,,,,,,,,,
11,2,,172137-81380,,,"NUT M16",2,2,,,,,,,,,,,,,
12,2,,172149-83200,,,"PIN 30X150 COMPL.",2,2,,,,,,,,,,,,,
13,2,,24761-020000,,,"NIPPLE PT1/8,GREASE",2,2,,,,,,,,,,,,,
14,2,,933147-08501,,,"WASHER 17X40X4.5",2,2,,,,,,,,,,,,,
15,2,,933160-06711,,,"SHIM 30, PIN ADJUST",4,4,,,,,,,,,,,,,
16,1,,172137-84403-4,,,"LINK,BUCKET",1,1,,,,,,,,,,,,,
16-1,1,,172137-84404-1,,,"LINK
ASSY,BUCKET(97)",1,1,,,,,N,,72183231,M/#02821,72183231,M/#02821,,,,,,,,,I
17,2,,172183-72290,,,"SEAL, DUST 30X40X4.2",6,6,,,,,,,,,,,,,
18,2,,172137-81300,,,"BUSH 30X45, PIN",2,2,,,,,,,,,,,,,
19,2,,172137-84451,,,"BUSH",2,2,,,,,,,,,,,,,
20,1,,172137-84502-4,,,"ARM(L), BUCKET",1,1,,,,,,,,,,,,,
21,1,,172137-84512-4,,,"ARM(R), BUCKET",1,1,,,,,,,,,,,,,
22,1,,24761-020000,,,"NIPPLE PT1/8,GREASE",2,2,,,,,,,,,,,,,
23,1,,172183-82300,,,"ARM 950 COMP.,3RD",1,,,,,1,,,,,,,,,
23-1,1,,172183-82301,,,"ARM(950),
3RD",1,1,,,,,S,1,72183146,M/#00924,72183146,M/#00924,,,,,,,,,
23-2,1,,172183-82301,,,"ARM(950),
3RD",1,1,,,,,Z,1,72164377,M/#01706,72164377,M/#01706,,,,,,,,,
24,2,,172183-72290,,,"SEAL, DUST
30X40X4.2",6,6,,,,,Z,1,72164377,M/#01706,72164377,M/#01706,,,,,,,,,
25,2,,172137-81300,,,"BUSH 30X45,
PIN",6,6,,,,,Z,1,72164377,M/#01706,72164377,M/#01706,,,,,,,,,
26,1,,172183-81160,,,"TREE
CLIP",4,4,,,,,W,,72164377,M/#01706,72164377,M/#01706,,,,,,,,,
27,1,,172150-03050,,,"LABEL",1,,,,,2,,,,,,,,,
28,1,,172183-84450,,,"LINK,BUCKET",1,,,,,2,,,,,,,,,
29,2,,172183-72290,,,"SEAL, DUST 30X40X4.2",6,,,,,2,,,,,,,,,
30,2,,172137-81300,,,"BUSH 30X45, PIN",2,,,,,2,,,,,,,,,
31,2,,172137-84451,,,"BUSH",2,,,,,2,,,,,,,,,

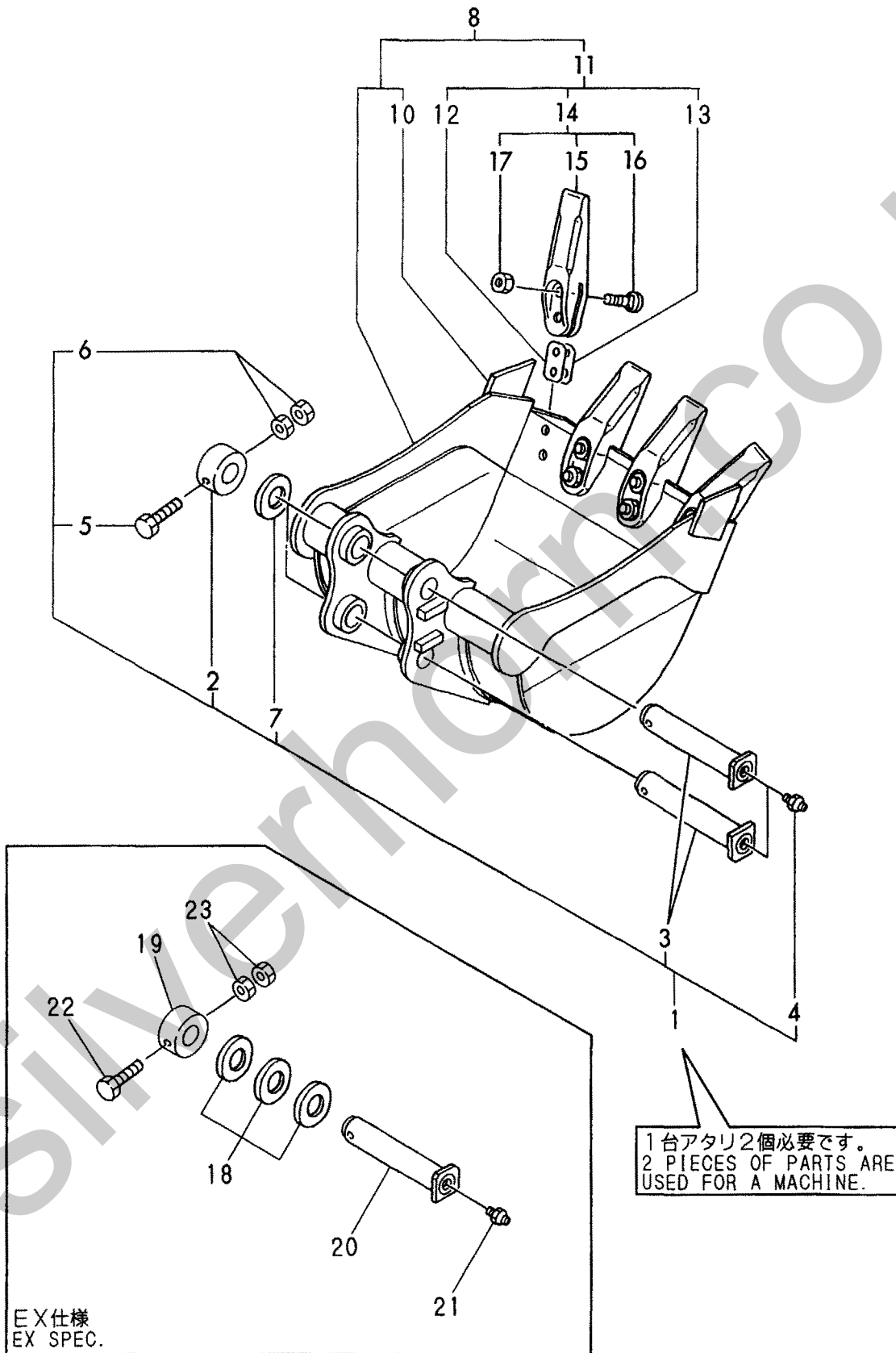
Fig. 68 アーム&バケットリンク
ARM & BUCKET LINK



1,1,,172137-99451-4,, "BIN KIT,BUCKET",2,2,,,,,,,,,,,,,
 2,2,,172149-83220,, "COLLAR 30X42.7X22",2,2,,,,,,,,,,,,,
 3,2,,172137-86251,, "PIN, BUCKET",2,2,,,,,,,,,,,,,
 4,2,,24761-020000,, "NIPPLE PT1/8,GREASE",2,2,,,,,,,,,,,,,
 5,2,,26116-100602,, "BOLT M10X 60 PLATED",2,2,,,,,,,,,,,,,
 6,2,,26716-100002,, "NUT 10",4,4,,,,,,,,,,,,,
 7,2,,933160-06711,, "SHIM 30, PIN ADJUST",2,2,,,,,,,,,,,,,
 8,1,,772137-86301-4,, "BUCKET 450 COMPL.",1,1,,,,,,,,,,,,,
 10,3,,172137-86240-4,, "TEETH,SIDE",2,2,,,,,,,,,,,,,
 11,2,,772137-86751-4,, "TEETH ASSY",4,4,,,,,,,,,,,,,
 12,3,,172137-86700,, "SHIM 2.3, TEETH",4,4,,,,,,,,,,,,,
 13,3,,172137-86710,, "TEETH SHIM 17 SET",4,4,,,,,,,,,,,,,
 14,3,,172137-86751-4,, "TEETH CMP",4,4,,,,,,,,,,,,,
 15,4,,172141-86231-4,, TEETH,4,4,,,,,,,,,,,,,
 16,4,,172137-86770,, BOLT,8,8,,,,,,,,,,,,,
 17,4,,172137-86780-4,, "NUT (GREEN)",8,8,,,,,,,,,,,,,
 18,1,,933160-06711,, "SHIM 30, PIN ADJUST",2,,,,,1,,,,,
 19,1,,172149-83220,, "COLLAR 30X42.7X22",2,,,,,1,,,,,
 20,1,,172137-86251,, "PIN, BUCKET",2,,,,,1,,,,,
 21,1,,24761-020000,, "NIPPLE PT1/8,GREASE",2,,,,,1,,,,,
 22,1,,26116-100602,, "BOLT M10X 60 PLATED",2,,,,,1,,,,,
 23,1,,26716-100002,, "NUT 10",4,,,,,1,,,,,

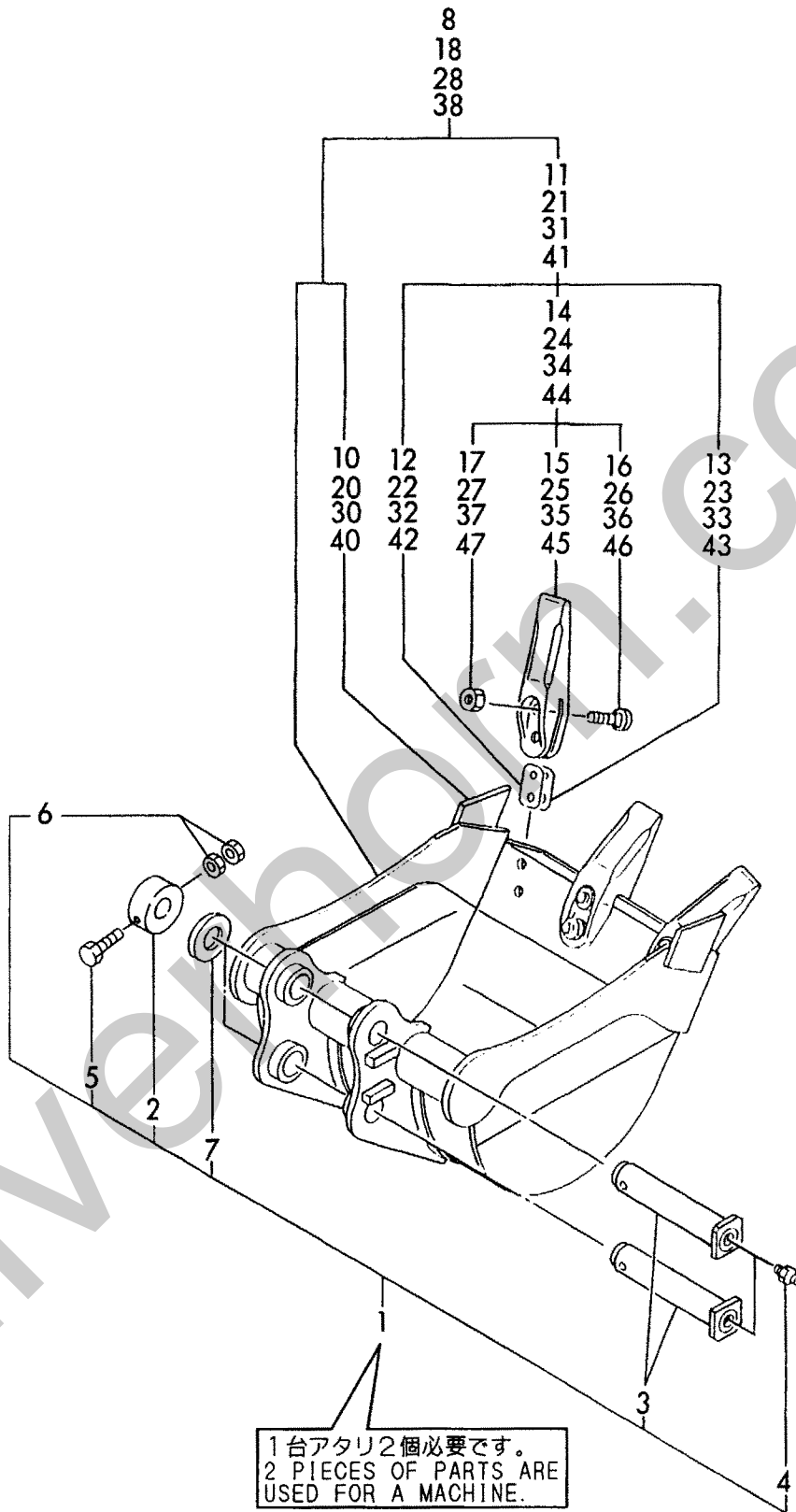
Silverhorn.CO.UK

Fig. **69** バケット (450)
BUCKET (450)



1,1,,172137-99451-4,, "BIN KIT,BUCKET",2,,,,,,,,,,,,,,,,,,,,,
2,2,,172149-83220,, "COLLAR 30X42.7X22",2,,,,,,,,,,,,,,,,,,,,,
3,2,,172137-86251,, "PIN, BUCKET",2,,,,,,,,,,,,,,,,,,,,,
4,2,,24761-020000,, "NIPPLE PT1/8,GREASE",2,,,,,,,,,,,,,,,,,,,,,
5,2,,26116-100602,, "BOLT M10X 60 PLATED",2,,,,,,,,,,,,,,,,,,,,,
6,2,,26716-100002,, "NUT 10",4,,,,,,,,,,,,,,,,,,,,,
7,2,,933160-06711,, "SHIM 30, PIN ADJUST",2,,,,,,,,,,,,,,,,,,,,,
8,1,,172137-86050,, "BUCKET ASSY,400 (97)",1,,,,,,,,,,,,,,,,,,,,,
10,3,,172137-86240-4,, "TEETH,SIDE",2,,,,,,,,,,,,,,,,,,,,,
11,2,,772137-86751-4,, "TEETH ASSY",3,,,,,,,,,,,,,,,,,,,,,
12,3,,172137-86700,, "SHIM 2.3, TEETH",3,,,,,,,,,,,,,,,,,,,,,
13,3,,172137-86710,, "TEETH SHIM 17 SET",3,,,,,,,,,,,,,,,,,,,,,
14,3,,172137-86751-4,, "TEETH CMP",3,,,,,,,,,,,,,,,,,,,,,
15,4,,172141-86231-4,, TEETH,3,,,,,,,,,,,,,,,,,,,,,
16,4,,172137-86770,, BOLT,6,,,,,,,,,,,,,,,,,,,,,
17,4,,172137-86780-4,, "NUT (GREEN)",6,,,,,,,,,,,,,,,,,,,,,
18,1,,772137-86601-4,, "BUCKET 350 COMPL.",1,,,,,,,,,,,,,,,,,,,,,
20,3,,172137-86240-4,, "TEETH,SIDE",2,,,,,,,,,,,,,,,,,,,,,
21,2,,772137-86751-4,, "TEETH ASSY",3,,,,,,,,,,,,,,,,,,,,,
22,3,,172137-86700,, "SHIM 2.3, TEETH",3,,,,,,,,,,,,,,,,,,,,,
23,3,,172137-86710,, "TEETH SHIM 17 SET",3,,,,,,,,,,,,,,,,,,,,,
24,3,,172137-86751-4,, "TEETH CMP",3,,,,,,,,,,,,,,,,,,,,,
25,4,,172141-86231-4,, TEETH,3,,,,,,,,,,,,,,,,,,,,,
26,4,,172137-86770,, BOLT,6,,,,,,,,,,,,,,,,,,,,,
27,4,,172137-86780-4,, "NUT (GREEN)",6,,,,,,,,,,,,,,,,,,,,,
28,1,,772137-86501-4,, "BUCKET(300) ASSY",1,,,,,,,,,,,,,,,,,,,,,
30,3,,172137-86240-4,, "TEETH,SIDE",2,,,,,,,,,,,,,,,,,,,,,
31,2,,772137-86751-4,, "TEETH ASSY",3,,,,,,,,,,,,,,,,,,,,,
32,3,,172137-86700,, "SHIM 2.3, TEETH",3,,,,,,,,,,,,,,,,,,,,,
33,3,,172137-86710,, "TEETH SHIM 17 SET",3,,,,,,,,,,,,,,,,,,,,,
34,3,,172137-86751-4,, "TEETH CMP",3,,,,,,,,,,,,,,,,,,,,,
35,4,,172141-86231-4,, TEETH,3,,,,,,,,,,,,,,,,,,,,,
36,4,,172137-86770,, BOLT,6,,,,,,,,,,,,,,,,,,,,,
37,4,,172137-86780-4,, "NUT (GREEN)",6,,,,,,,,,,,,,,,,,,,,,
38,1,,772137-86401-4,, "BUCKET 250 COMPL.",1,,,,,,,,,,,,,,,,,,,,,
40,3,,172137-86240-4,, "TEETH,SIDE",2,,,,,,,,,,,,,,,,,,,,,
41,2,,772137-86751-4,, "TEETH ASSY",2,,,,,,,,,,,,,,,,,,,,,
42,3,,172137-86700,, "SHIM 2.3, TEETH",2,,,,,,,,,,,,,,,,,,,,,
43,3,,172137-86710,, "TEETH SHIM 17 SET",2,,,,,,,,,,,,,,,,,,,,,
44,3,,172137-86751-4,, "TEETH CMP",2,,,,,,,,,,,,,,,,,,,,,
45,4,,172141-86231-4,, TEETH,2,,,,,,,,,,,,,,,,,,,,,
46,4,,172137-86770,, BOLT,4,,,,,,,,,,,,,,,,,,,,,
47,4,,172137-86780-4,, "NUT (GREEN)",4,,,,,,,,,,,,,,,,,,,,,

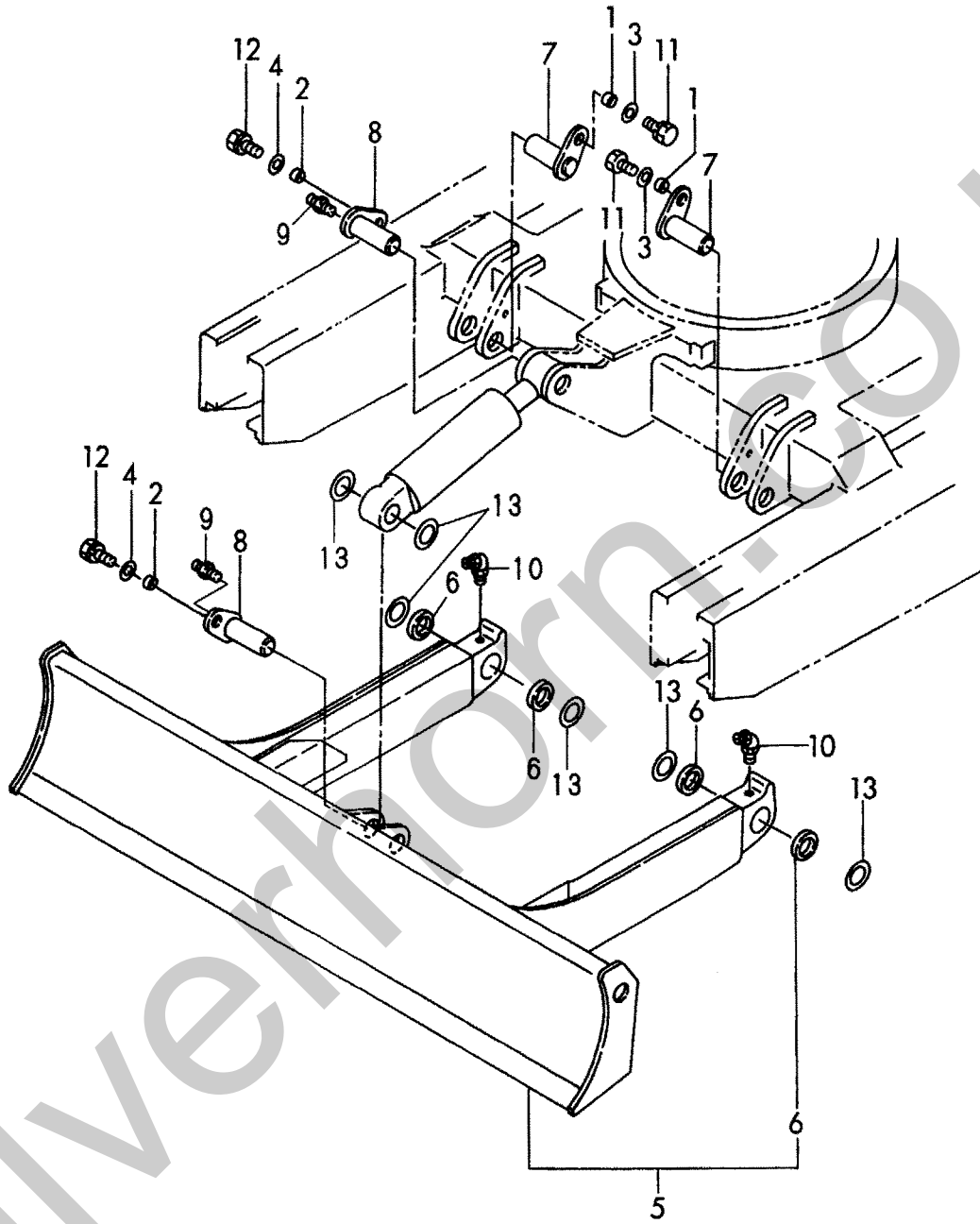
Fig. 70 バケツ (400, 350, 300, 250, アタッチメント)
 BUCKET (400, 350, 300, 250, ATTACHMENT)



1,1,,172010-01640,,SPACER,2,2,,,,,,,,,,,,,,,,,,,,,
2,1,,172010-01640,,SPACER,2,2,,,,,,,,,,,,,,,,,,,,,
3,1,,172110-36010,,COLLAR,2,2,,,,,,,,,,,,,,,,,,,,,
4,1,,172110-36010,,COLLAR,2,2,,,,,,,,,,,,,,,,,,,,,
5,1,,172183-94100,, "BLADE COMPL.",1,1,,,,,,,,,,,,,
5-1,1,,172183-94100-1,, "BLADE
COMPL.",1,1,,,,,R,,72183222,M/#10501,72183222,M/#10501,,,,,
6,2,,172183-72290,, "SEAL, DUST 30X40X4.2",4,4,,,,,,,,,,,,,
7,1,,172137-94251,, "PIN 30X76",2,2,,,,,,,,,,,,,
8,1,,172137-94271,,PIN,2,2,,,,,,,,,,,,,,,,,,,,,
9,1,,24761-020000,, "NIPPLE PT1/8,GREASE",2,2,,,,,,,,,,,,,
10,1,,24761-040000,, "NIPPLE B,GREASE",2,2,,,,,,,,,,,,,
11,1,,26013-100252,, "BOLT W/WASHER M10X25",2,2,,,,,,,,,,,,,
12,1,,26013-100252,, "BOLT W/WASHER M10X25",2,2,,,,,,,,,,,,,
13,1,,933160-06711,, "SHIM 30, PIN ADJUST",4,4,,,,,,,,,,,,,

Silverhorn.CO.UK

Fig. 71 ブレード
BLADE



1,1,,172183-08500,, "P.T.O. KIT",1,,,,,1,,,,,
1-1,1,,172183-08501,, "P.T.O. KIT",1,,,,,S,1,72173063,M/#01706,,,,,
2,2,,172183-74811,, "P.T.O. KIT(FRAME END",1,,,,,2,,,,,
3,2,,172183-74801,, "P.T.O. KIT(ARM END)",1,,,,,3,,,,,
3-1,2,,172183-74802,, "P.T.O. KIT(ARM END)",1,,,,,S,3,72173063,M/#01706,,,,,

Silverhorn.CO.UK

[Info]
PcNo=Y00K2963
PcName=VIO15 (JP, EX) (B5055)
JpnUse=1
JpnSec1=㊦<@
JpnSec2=f ofbfNfz []
JpnSec3=VIO
JpnPreface=1
EngUse=1
EngSec1=CONSTRUCTION
EngSec2=EXCAVATOR (Vio)
EngSec3=VIO
EngPreface=1

Silverhorn.CO.UK